

# **ZOJE**

A5300

A5300-D3

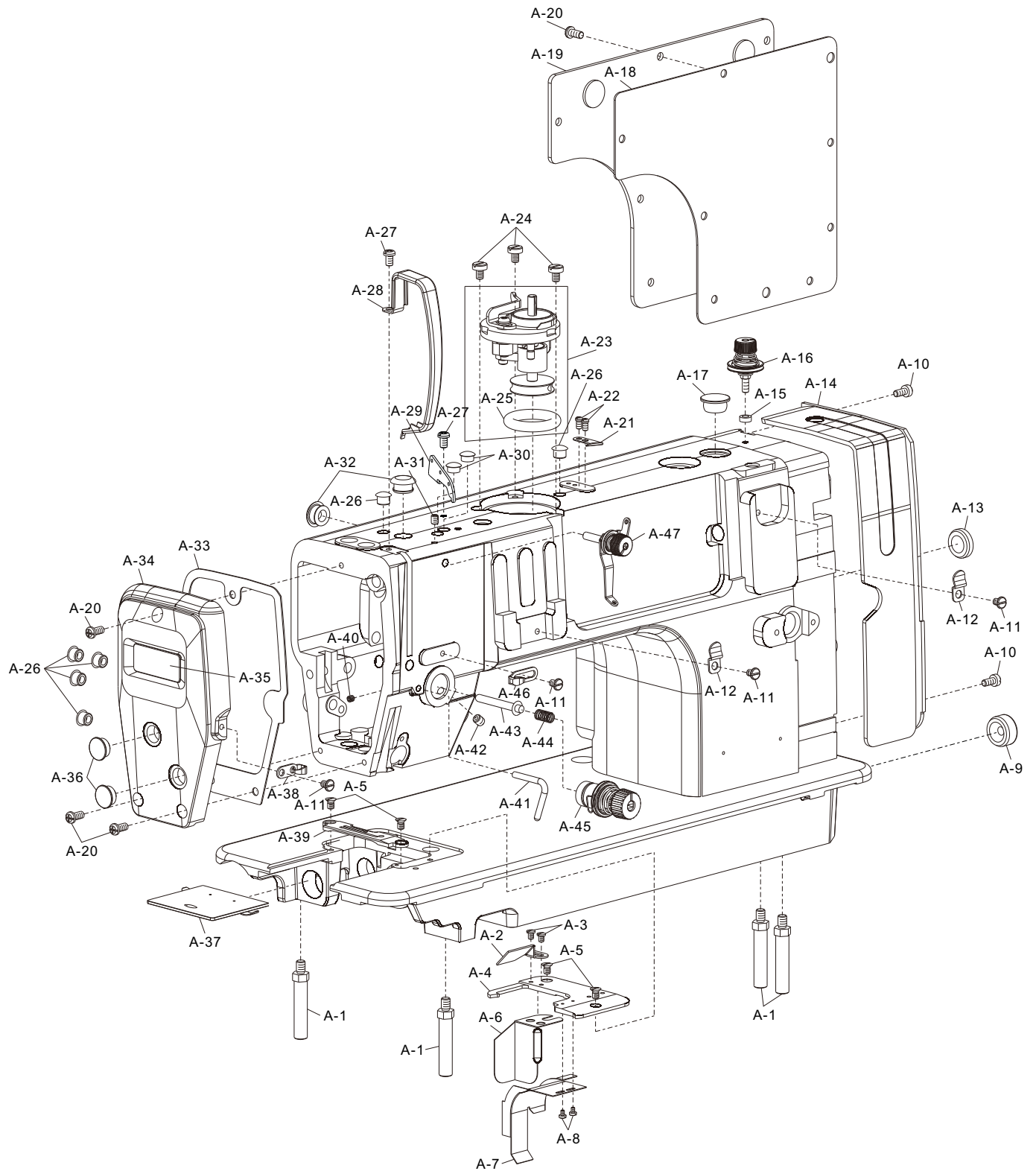
Parts book

# CONTENTS

<b>A</b>	Machine Frame & Miscellaneous Cover Components(Simple models and Four automatic models)	37
<b>A</b>	Machine Frame & Miscellaneous Cover Components(Hemming models)	39
<b>B</b>	Main Shaft & Thread Take-up Cover Components(Four automatic models)	41
<b>B</b>	Main Shaft & Thread Take-up Cover Components(Simple models and Hemming models)	43
<b>C</b>	Hang Lifter & Tension Release Components(Four automatic models)	45
<b>C</b>	Hang Lifter & Tension Release Components(Simple models and Hemming models)	47
<b>D</b>	Hook Of Driving Shaft Components	49
<b>E</b>	Feed Mechanism Components(Simple models and Hemming models)	51
<b>E</b>	Feed Mechanism Components(Four automatic models)	55
<b>F</b>	Cutter Control Components	59
<b>G</b>	Thread trimmer Components (Four automatic models)	63
<b>H</b>	Drive-by-wire Components (Simple models and Hemming models)	65
<b>H</b>	Drive-by-wire Components (Four automatic models)	67
<b>I</b>	Lubrication Components	69
<b>J</b>	Presser Foot Components Of Oil Plate Knee Lift (Hemming models)	71
<b>J</b>	Presser Foot Components Of Oil Plate Knee Lift (Simple models and Four automatic models)	73
<b>K</b>	Components Of Thread-running Stand	75
<b>L</b>	Auxiliaries (Hemming models)	77
<b>L</b>	Auxiliaries (Simple models and Four automatic models)	79

# A

## Machine Frame & Miscellaneous Cover Components (Simple models and full automatic models)



# A

## 机壳分组件(简易款和四自动款)

### Machine Frame & Miscellaneous Cover Components(Simple models and Four automatic models)

序号 Ref. No.	件号 Part No.	名称	Name of part	数量 QTY	备注 Remark
A-1	10002577	底板支柱	Bed screw stud	4	
A-2	10045827	布屑导板	Scraps guide plate	1	
A-3	10011020	SM9/64"×40螺钉	Screw SM9/64"×40	2	
A-4	10045826	排屑斗板	Clearance hole plate	1	
A-5	10011566	SM11/64"×40螺钉	Screw SM11/64"×40	4	
A-6	10067913	布屑下料挡板	Shelter scraps plate	1	
A-7	10067915	排屑斗	Clearance-hole	1	
A-8	10010744	SM3/32"×56螺钉	Screw SM3/32"×56	2	
A-9	10008941	橡胶塞	Rubber plug	1	
A-10	10010066	SM11/64"×40螺钉	Screw SM11/64"×40	2	
A-11	10008973	SM11/64"×40螺钉	Screw SM11/64"×40	4	
A-12	10062047	滑扣簧	Slide buckle	2	
A-13	10008975	橡胶塞	Rubber plug	1	
A-14	10063822	塑料标识板	Plastic plate	1	四自动款 Four automatic models
A-15	10062565	绕线夹线器垫圈	Washer	1	
A-16	10062049	绕线夹线器组件	Bobbin thread tension ASM	1	
A-17	10009576	橡胶塞	Rubber plug	1	
A-18	10066540	后窗板垫	Side plate gasket	1	
A-19	20025957	后窗板	Side plate	1	
A-20	10008972	SM3/16"×28螺钉	Screw SM3/16"×28	12	
A-21	10011149	绕线切刀	Thread cutter	1	
A-22	10050423	SM9/64"×40螺钉	Screw SM9/64"×40	2	
A-23	10031086	绕线器	Bobbin wider ASM.	1	
A-24	10004380	SM3/16"×32螺钉	Screw SM3/16"×32	3	
A-25	10008773	橡胶轮	Rubber ring	1	
A-26	10008943	橡胶塞	Rubber ring	6	
A-27	10008934	SM3/16"×28螺钉	Screw SM3/16"×28	2	
A-28	10014082	挑线杆护罩	Thread take-up lever cover	1	
A-29	10052992	过线板	Thread tension guide	1	
A-30	10050435	橡胶塞	Rubber ring	2	
A-31	10041529	SM3/16"×28螺钉	Screw SM3/16"×28	1	
A-32	10008942	橡胶塞	Rubber ring	2	
A-33	10066759	面板垫	Face plate gasket	1	
A-34	20025552	面板	Face plate	1	
A-35	*	面板装饰牌	Decorative board	1	
A-36	10008977	橡胶塞	Rubber ring	2	
A-37	10013706	推板部件	Push plate ASM.	1	
A-38	10008937	左线钩	Arm thread guide left	1	
A-39	10045639	针板组件1/8	Needle plate 1/8	1	
A-40	10009074	M4螺钉	Screw M4	1	
A-41	10039823	缓线钩	Presser bar thread guide	1	
A-42	10006264	SM15/64"×28螺钉	Screw SM15/64"×28	1	
A-43	10062374	松线辅钉	Tension release supporting pin	1	
A-44	10010642	弹簧	Spring	1	
A-45	10062050	夹线器部件	Thread take-up device	1	
A-46	10008940	右线钩	Arm thread guide right	1	
A-47	10062051	上夹线器部件	Top thread tension ASM	1	四自动款 Four automatic models

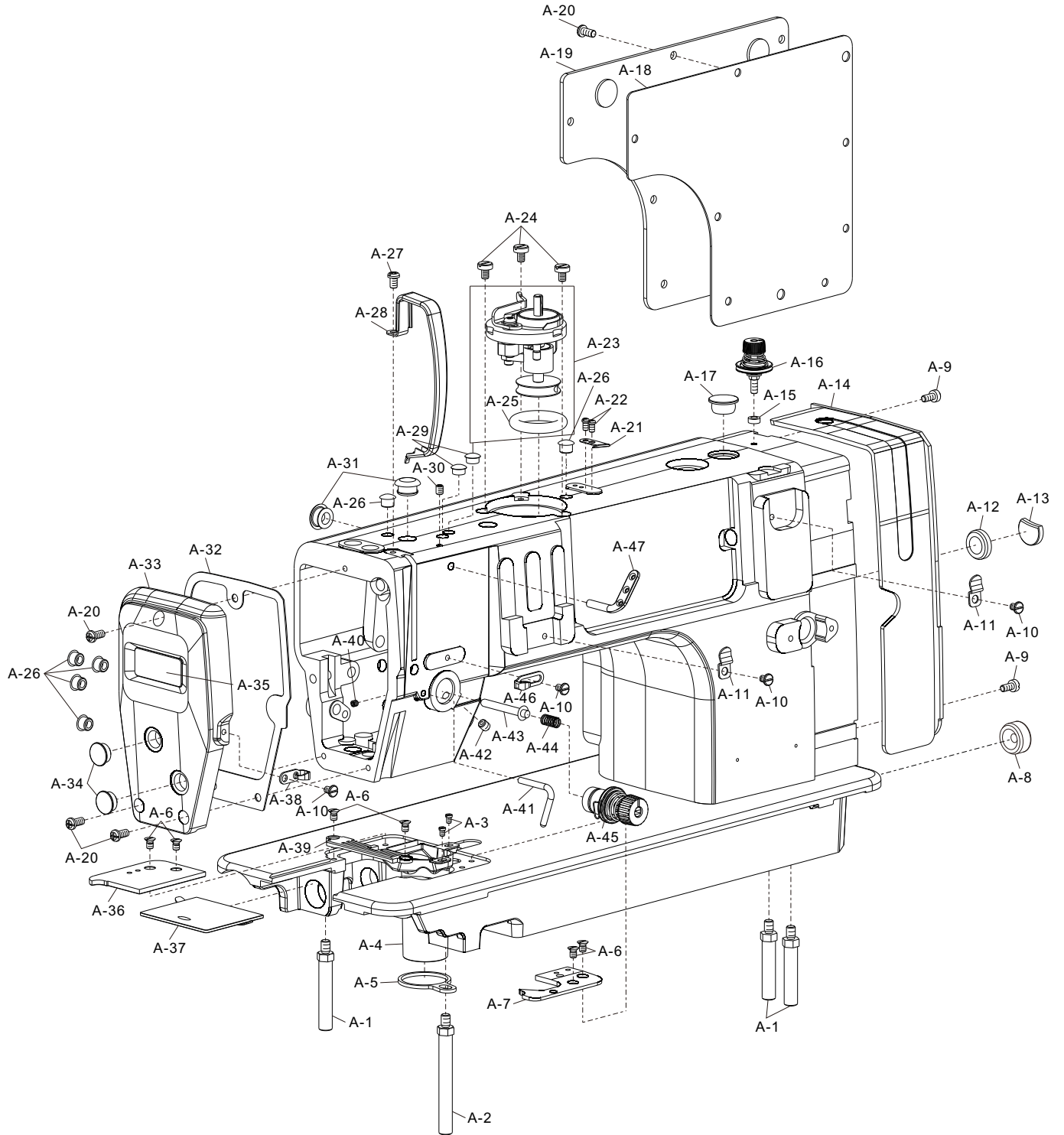
“\*” 具体内容需向客服咨询

“\*” Specific content need to consult customer service

# A

## 机壳分组件(包边款)

## Machine Frame & Miscellaneous Cover Components(Hemming models)



## A

## 机壳分组件(包边款)

## Machine Frame &amp; Miscellaneous Cover Components(Hemming models)

序号 Ref. No.	件号 Part No.	名称	Name of part	数量 QTY	备注 Remark
A-1	10002577	底板支柱	Bed screw stud	3	
A-2	10008830	底板支柱	Bed screw stud	1	
A-3	10013763	SM1/8"×44螺钉	Screw SM1/8"×44	2	
A-4	10054999	排料斗	Clearance-hole	1	
A-5	10054997	排料斗固定板	Plate of Clearance-hole	1	
A-6	10011566	SM11/64"×40螺钉	Screw SM11/64"×40	6	
A-7	10054996	针板挡板1	Baffle of Needle plate	1	
A-8	10008941	橡胶塞	Rubber plug	1	
A-9	10010066	SM11/64"×40螺钉	Screw SM11/64"×40	2	
A-10	10008973	SM11/64"×40螺钉	Screw SM11/64"×40	4	
A-11	10062047	滑扣簧	Slide buckle	2	
A-12	10008975	橡胶塞	Rubber plug	1	
A-13	10053849	橡胶塞	Rubber plug	1	
A-14	10063821	塑料标识板	Plastic plate	1	简易款和包边款 Simple models and Hemming models
A-15	10062565	绕线夹线器垫圈	Washer	1	
A-16	10062049	绕线夹线器组件	Bobbin thread tension ASM	1	
A-17	10009576	橡胶塞	Rubber plug	1	
A-18	10066540	后窗板垫	Side plate gasket	1	
A-19	20025957	后窗板	Side plate	1	
A-20	10008972	SM3/16"×28螺钉	Screw SM3/16"×28	12	
A-21	10011149	绕线切刀	Thread cutter	1	
A-22	10050423	SM9/64"×40螺钉	Screw SM9/64"×40	2	
A-23	10031086	绕线器	Bobbin wider ASM.	1	
A-24	10004380	SM3/16"×32螺钉	Screw SM3/16"×32	3	
A-25	10008773	橡胶轮	Rubber ring	1	
A-26	10008943	橡胶塞	Rubber ring	6	
A-27	10008934	SM3/16"×28螺钉	Screw SM3/16"×28	1	
A-28	10014082	挑线杆护罩	Thread take-up lever cover	1	
A-29	10050435	橡胶塞	Rubber ring	2	
A-30	10041529	SM3/16"×28螺钉	Screw SM3/16"×28	1	
A-31	10008942	橡胶塞	Rubber ring	2	
A-32	10066759	面板垫	Face plate gasket	1	
A-33	20025552	面板	Face plate	1	
A-34	10008977	橡胶塞	Rubber ring	2	
A-35	*	面板装饰牌	Decorative board	1	
A-36	10045877	针板挡板2	Baffle of Needle plate	1	
A-37	10013706	推板部件	Push plate ASM.	1	
A-38	10008937	左线钩	Arm thread guide left	1	
A-39	10053014	3/16针板组件	Needle plate 3/16	1	
A-40	10009074	M4螺钉	Screw M4	1	
A-41	10039823	缓线钩	Presser bar thread guide	1	
A-42	10006264	SM15/64"×28螺钉	Screw SM15/64"×28	1	
A-43	10062374	松线辅钉	Tension release supporting pin	1	
A-44	10010642	弹簧	Spring	1	
A-45	10062050	夹线器部件	Thread take-up device	1	
A-46	10008940	右线钩	Arm thread guide right	1	
A-47	10010640	三眼线钩	Three-hole thread guide	1	简易款和包边款 Simple models and Hemming models

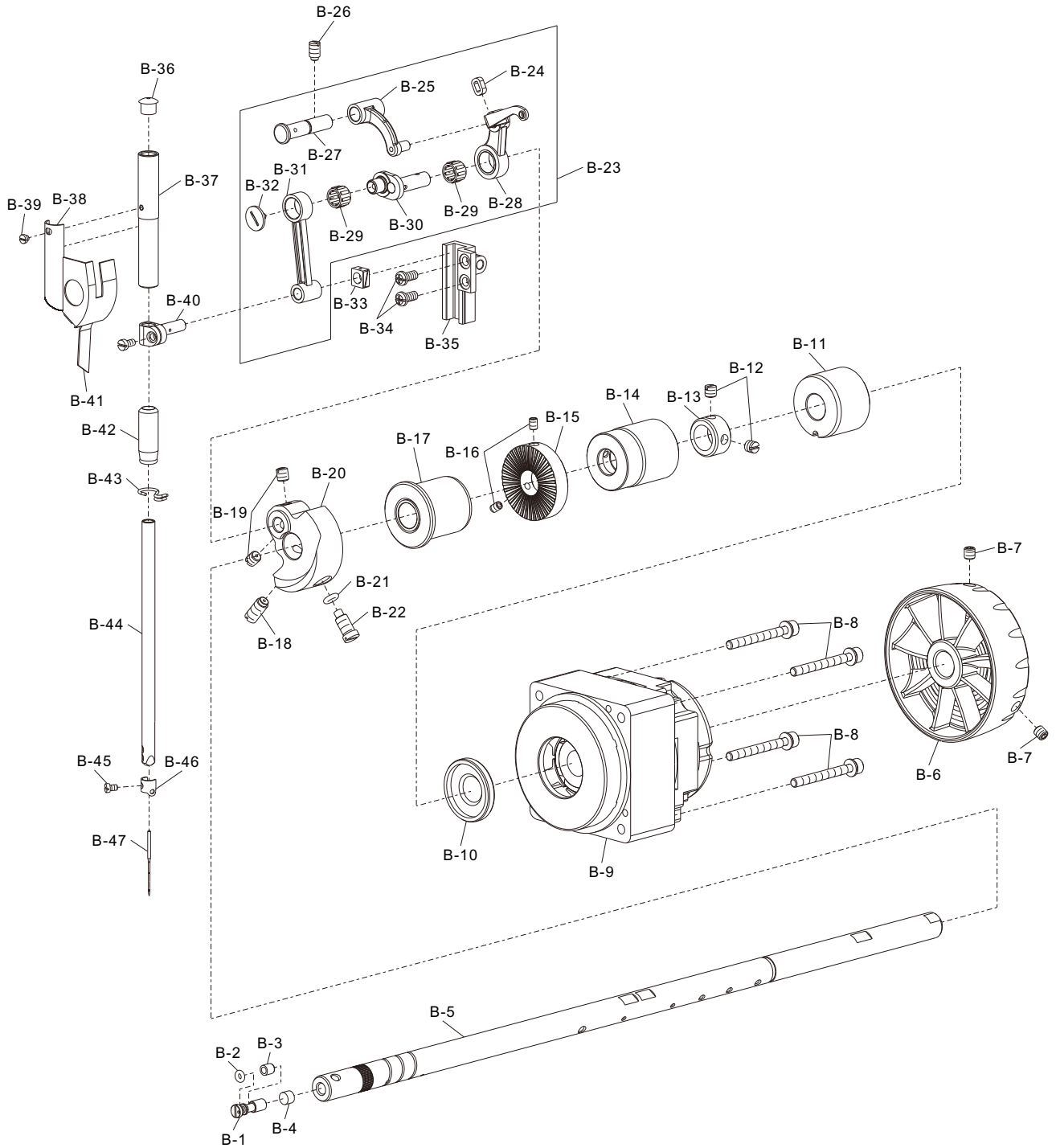
“\*” 具体内容需向客服咨询

“\*” Specific content need to consult customer service

# B

## 上轴、挑线分组件(四自动款)

## Main Shaft & Thread Take-up Cover Components(Four automatic models)



# B

## 上轴、挑线分组件(四自动款)

### Main Shaft & Thread Take-up Cover Components(Four automatic models)

序号 Ref. No.	件号 Part No.	名称	Name of part	数量 QTY	备注 Remark
B-1	10010504	油量调节销	Adjusting pin	1	
B-2	10010538	6.46×1.78 O形圈	O-ring 6.46×1.78	1	
B-3	10010540	油量调节销套	Sleeve of adjusting pin	1	
B-4	10010541	毛毡	Roler felt	1	
B-5	10066757	上轴	Main shaft	1	
B-6	20023713	上轮	Head wheel	1	
B-7	10011232	M6×6螺钉	Screw M6×6	2	
B-8	10059025	M5×35螺钉组件	Screw M5 ASM.	4	
B-9	10058054	分体电机组件	Motor ASM.	1	
B-10	10058049	油封	Oil seal	1	
B-11	10056893	上轴后轴套	Shaft sleeve	1	
B-12	10005020	SM1/4"×40螺钉	Screw SM1/4"×40	2	
B-13	10010542	挡圈	Thrust collar	1	
B-14	10007239	上轴中轴套	Shaft sleeve	1	
B-15	10004472	绕线主动轮	Driving wheel	1	
B-16	10012062	SM11/64"×40螺钉	Screw SM11/64"×40	2	
B-17	10044580	上轴前轴套	Shaft sleeve	1	
B-18	10010082	SM9/32"×28螺钉	Screw SM9/32"×28	1	
B-19	10010065	SM1/4"×40螺钉	Screw SM1/4"×40	2	
B-20	10054695	针杆曲柄	Crank	1	
B-21	10010534	9.2×2.4 O形圈	O-ring 9.2×2.4	1	
B-22	10010545	针杆曲柄定位螺钉	Screw	1	
B-23	20017446	挑线杆组件	Thread take-up lever ASM.	1	
B-24	10010539	挑线杆防油圈	Oil resistant cover	1	
B-25	10010535	挑线连杆	Connecting rod	1	
B-26	10010083	SM15/64"×28螺钉	Screw SM15/64"×28	1	
B-27	20019236	挑线连杆销组件	Pin ASM.	1	
B-28	10004158	挑线杆	Thread take-up lever	1	
B-29	10014107	K8×12×7.8滚针轴承	Needle bearing K8×12×7.8	2	
B-30	10004144	挑线曲柄部件	Crank ASM.	1	
B-31	10052734	针杆连接柱滑块	Sliding block	1	
B-32	10010592	针杆连杆	Connecting rod	1	
B-33	10010537	挑线曲柄左旋螺钉	Screw	1	
B-34	10008972	滑块导轨螺钉	Screw	1	
B-35	10054645	滑块导轨	Slide guide	1	
B-36	10010587	橡胶塞	Rubber plug	1	
B-37	10011063	针杆上轴套	Shaft sleeve	1	
B-38	10066760	面部防油板部件	ARM oil shield ASM.	1	
B-39	10005558	SM1/8"×44螺钉	Screw SM1/8"×44	1	
B-40	10010590	针杆连接柱	Joint pin	1	
B-41	10030286	SM9/64"×40螺钉	Screw SM9/64"×40	1	
B-42	10014117	针杆下轴套	Shaft sleeve	1	
B-43	10005943	针杆下套线钩	Thread guide	1	
B-44	10045046	针杆	Needle bar	1	
B-45	10010588	SM1/8"×44螺钉	Screw SM1/8"×44	1	
B-46	10045047	针杆过线环	Thread guide	1	
B-47	*	Db×1 14#机针	Needle DB×1 14#	1	

“\*” 具体内容需向客服咨询

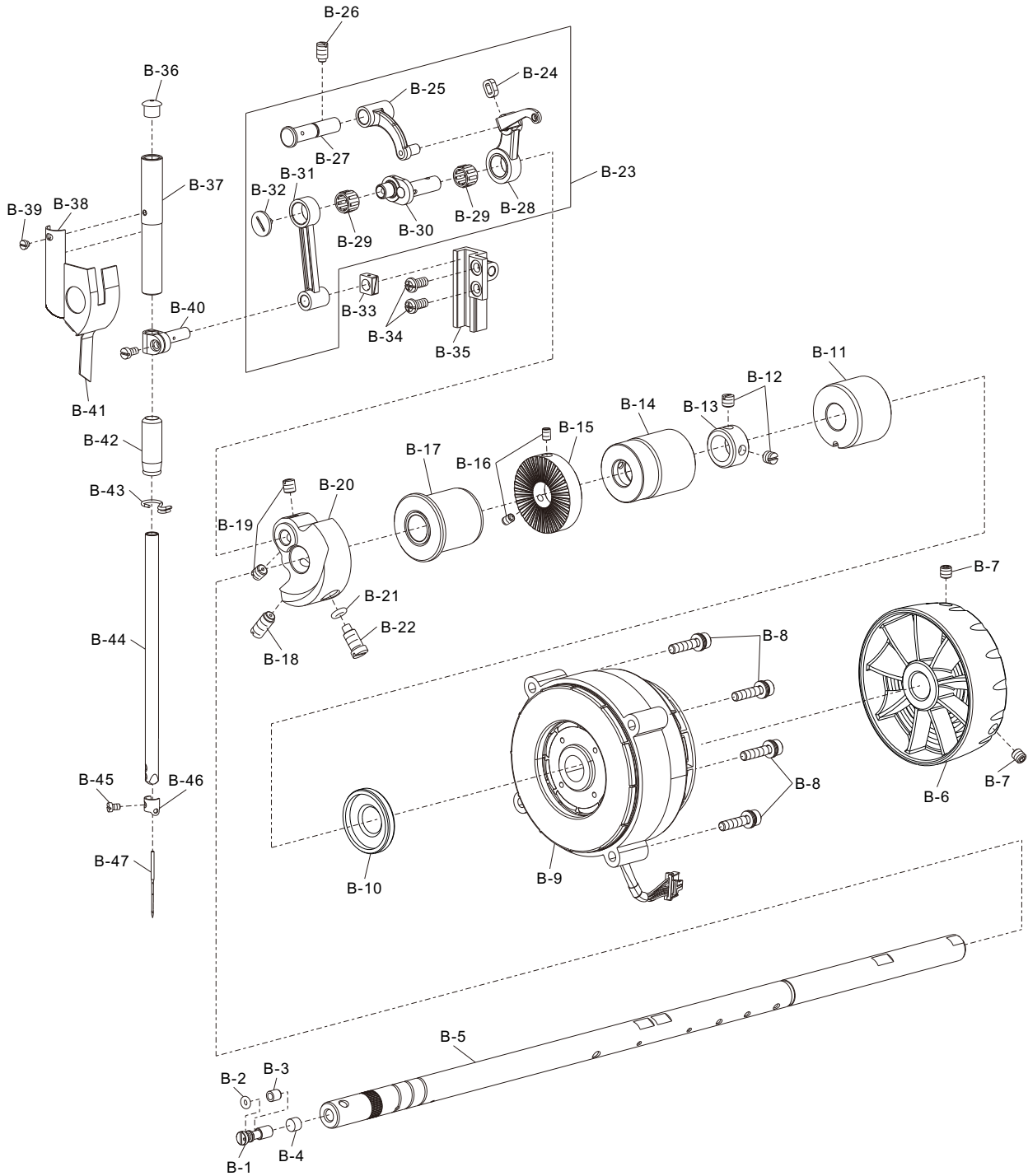
“\*” Specific content need to consult customer service



# B

## 上轴、挑线分组件(简易款和包边款)

## Main Shaft & Thread Take-up Cover Components(Simple models and Hemming models)



# B

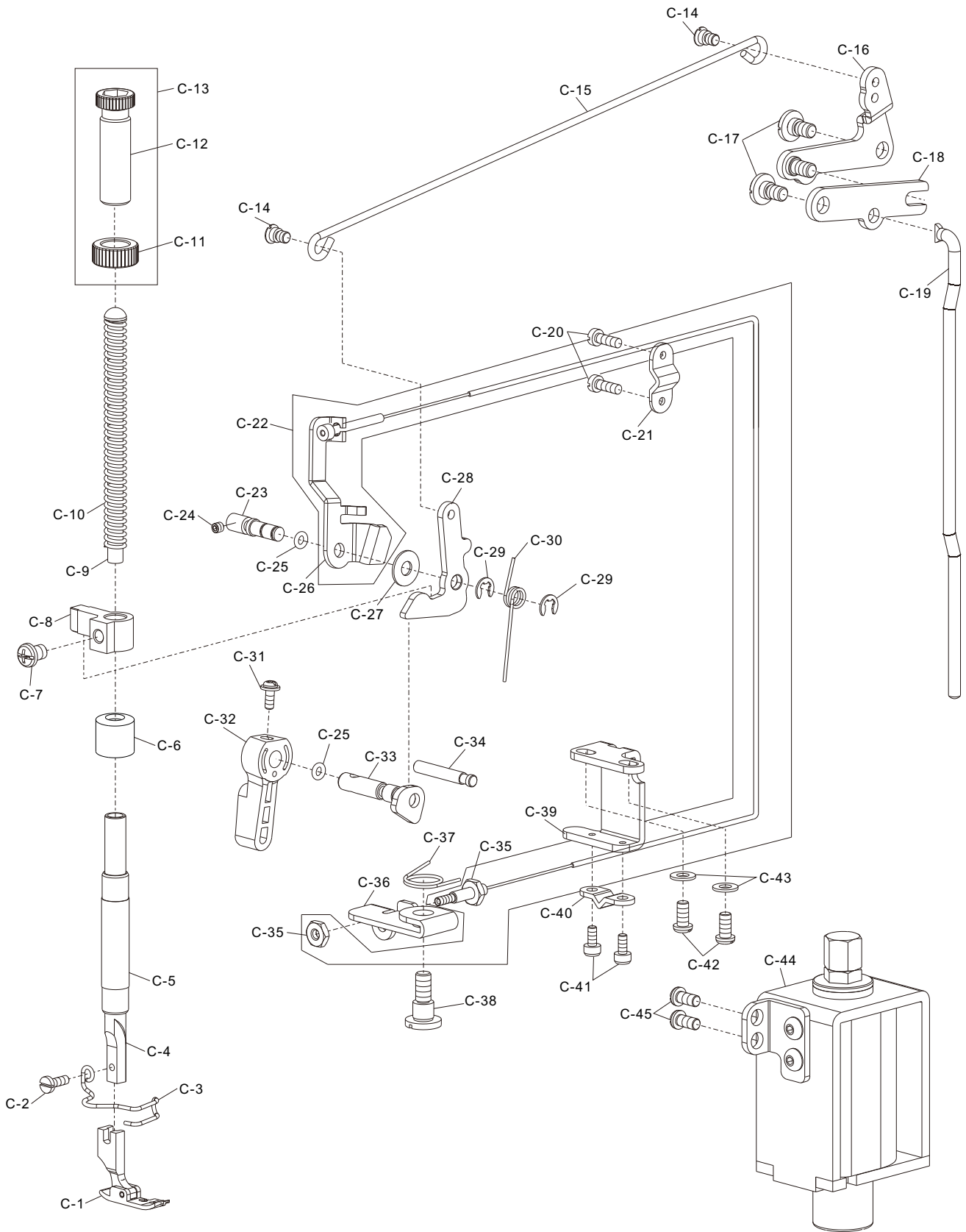
## 上轴、挑线分组件(简易款和包边款)

### Main Shaft & Thread Take-up Cover Components(Simple models and Hemming models)

序号 Ref. No.	件号 Part No.	名称	Name of part	数量 QTY	备注 Remark
B-1	10010504	油量调节销	Adjusting pin	1	
B-2	10010538	6.46×1.78 O形圈	O-ring 6.46×1.78	1	
B-3	10010540	油量调节销套	Sleeve of adjusting pin	1	
B-4	10010541	毛毡	Roler felt	1	
B-5	10068031	上轴	Main shaft	1	
B-6	20023713	上轮	Head wheel	1	
B-7	10011232	M6×6螺钉	Screw M6×6	2	
B-8	10043242	M5×35螺钉组件	Screw M5 ASM.	4	
B-9	10061920	分体电机组件	Motor ASM.	1	
B-10	10058049	油封	Oil seal	1	
B-11	10048486	上轴后轴套	Shaft sleeve	1	
B-12	10005020	SM1/4"×40螺钉	Screw SM1/4"×40	2	
B-13	10010542	挡圈	Thrust collar	1	
B-14	10007239	上轴中轴套	Shaft sleeve	1	
B-15	10004472	绕线主动轮	Driving wheel	1	
B-16	10012062	SM11/64"×40螺钉	Screw SM11/64"×40	2	
B-17	10044580	上轴前轴套	Shaft sleeve	1	
B-18	10010082	SM9/32"×28螺钉	Screw SM9/32"×28	1	
B-19	10010065	SM1/4"×40螺钉	Screw SM1/4"×40	2	
B-20	10054695	针杆曲柄	Crank	1	
B-21	10010534	9.2×2.4 O形圈	O-ring 9.2×2.4	1	
B-22	10010545	针杆曲柄定位螺钉	Screw	1	
B-23	20017446	挑线杆组件	Thread take-up lever ASM.	1	
B-24	10010539	挑线杆防油圈	Oil resistant cover	1	
B-25	10010535	挑线连杆	Connecting rod	1	
B-26	10010083	SM15/64"×28螺钉	Screw SM15/64"×28	1	
B-27	20019236	挑线连杆销组件	Pin ASM.	1	
B-28	10004158	挑线杆	Thread take-up lever	1	
B-29	10014107	K8×12×7.8滚针轴承	Needle bearing K8×12×7.8	2	
B-30	10004144	挑线曲柄部件	Crank ASM.	1	
B-31	10052734	针杆连接柱滑块	Sliding block	1	
B-32	10010592	针杆连杆	Connecting rod	1	
B-33	10010537	挑线曲柄左旋螺钉	Screw	1	
B-34	10008972	滑块导轨螺钉	Screw	1	
B-35	10054645	滑块导轨	Slide guide	1	
B-36	10010587	橡胶塞	Rubber plug	1	
B-37	10011063	针杆上轴套	Shaft sleeve	1	
B-38	10066760	面部防油板部件	ARM oil shield ASM.	1	
B-39	10005558	SM1/8"×44螺钉	Screw SM1/8"×44	1	
B-40	10010590	针杆连接柱	Joint pin	1	
B-41	10030286	SM9/64"×40螺钉	Screw SM9/64"×40	1	
B-42	10014117	针杆下轴套	Shaft sleeve	1	
B-43	10005943	针杆下套线钩	Thread guide	1	
B-44	10045046	针杆	Needle bar	1	
B-45	10010588	SM1/8"×44螺钉	Screw SM1/8"×44	1	
B-46	10045047	针杆过线环	Thread guide	1	
B-47	*	Db×1 14#机针	Needle DB×1 14#	1	

“\*” 具体内容需向客服咨询

“\*” Specific content need to consult customer service





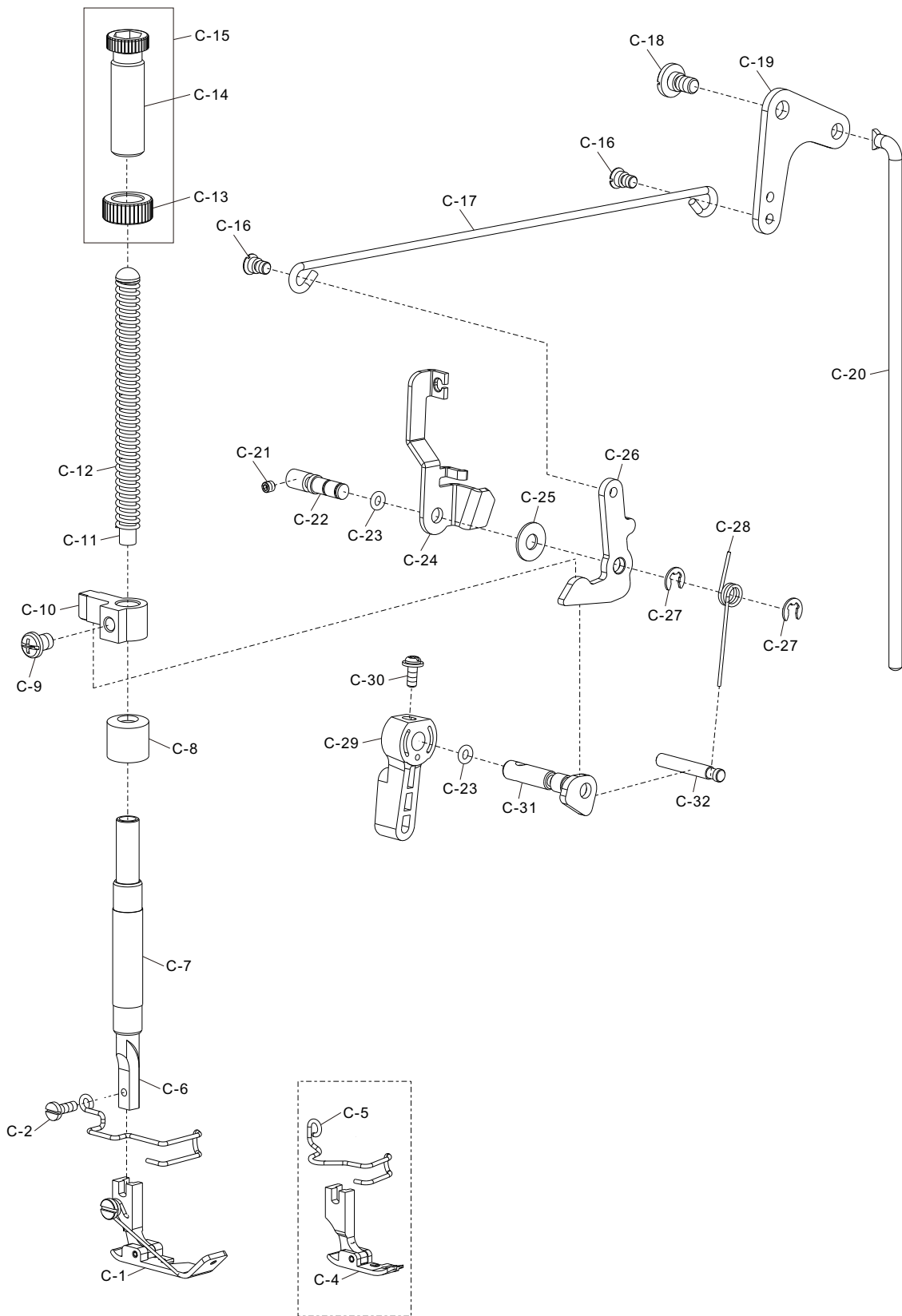
抬压脚分组件（四自动款）

Hang Lifter & Tension Release Components(Four automatic models)

序号 Ref. No.	件号 Part No.	名称	Name of part	数量 QTY	备注 Remark
C-1	10044596	压脚组件	Presser foot ASM.	1	
C-2	10010650	SM9/64"×40螺钉	Screw SM9/64"×40	1	
C-3	10045062	护指架	Finger frame	1	
C-4	10010646	压杆	Presser bar	1	
C-5	10014118	压杆轴套	Shaft sleeve	1	
C-6	10066598	压紧杆防油罩	Oil protector cover	1	
C-7	10000325	M6×8螺钉	Screw M6×8	1	
C-8	10039365	压杆导架	Presser guide bar bracket	1	
C-9	10004439	调压导杆	Presser guide bar	1	
C-10	10004473	调压弹簧	Spring	1	
C-11	10062022	调压螺母	Nut	1	
C-12	10062021	调压螺钉	Screw	1	
C-13	10062052	调压螺钉组件	Screw ASM.	1	
C-14	10010651	SM3/16"×32螺钉	Screw SM3/16"×32	2	
C-15	10061689	抬压脚拉杆	Lifting lever connecting rod	1	
C-16	10057556	抬压脚后杠杆组件	Lifting lever link components ASM.	1	
C-17	10010652	后杠杆轴位螺钉	Screw	2	
C-18	10057557	抬压脚连接板	Lifting lever connecting plate	1	
C-19	10057559	抬压脚顶杆	Connecting rod vertical	1	
C-20	10009037	M4×12螺钉	Screw M4×12	2	
C-21	10039378	钢丝绳压板	Platen	1	
C-22	10039380	抬压脚拉线组件	Foot lifter pull thread components ASM.	1	
C-23	10039373	松线顶板销	Pin	1	
C-24	10009074	M4×4螺钉	Screw M4×4	1	
C-25	10010027	3.68×1.78 O形圈	O-ring 3.68×1.78	2	
C-26	10039372	松线顶板	Tension release plate	1	
C-27	10050590	平垫圈	Snap ring	1	
C-28	10050188	压脚升降板	Lifting lever	1	
C-29	10013038	5×0.8挡圈	Closing ring 5×0.8	2	
C-30	10052046	压脚升降板复位簧	Spring	1	
C-31	10010016	SM9/64"×40螺钉	Screw SM9/64"×40	1	
C-32	10062023	压脚扳手	Hand lifter	1	
C-33	10050190	压脚扳手凸轮部件	Hand lifter CAM ASM.	1	
C-34	10039374	限位销	Pin	1	
C-35	10005834	SM3/16"×32螺母	Nut SM3/16"×32	2	
C-36	10008860	松线座	Loosing plate	1	
C-37	10008834	松线复位簧	Spring	1	
C-38	10012467	松线座螺钉	Screw	1	
C-39	10008811	松线钢绳座	Loosing line plate	1	
C-40	10013615	挡线板	Fixing shutter	1	
C-41	10006624	SM9/64"×40螺钉	Screw SM9/64"×40	2	
C-42	10008972	SM3/16"×28螺钉	Screw SM3/16"×28	2	
C-43	10011653	5.2×10.5×1垫圈	Washer 5.2×10.5×1	2	
C-44	10050041	抬压电磁铁	Electromagnes	1	
C-45	10000134	M5×10螺钉	Screw M5×10	4	

“\*” 具体内容需向客服咨询

“\*” Specific content need to consult customer service





抬压脚分组件（简易款和包边款）

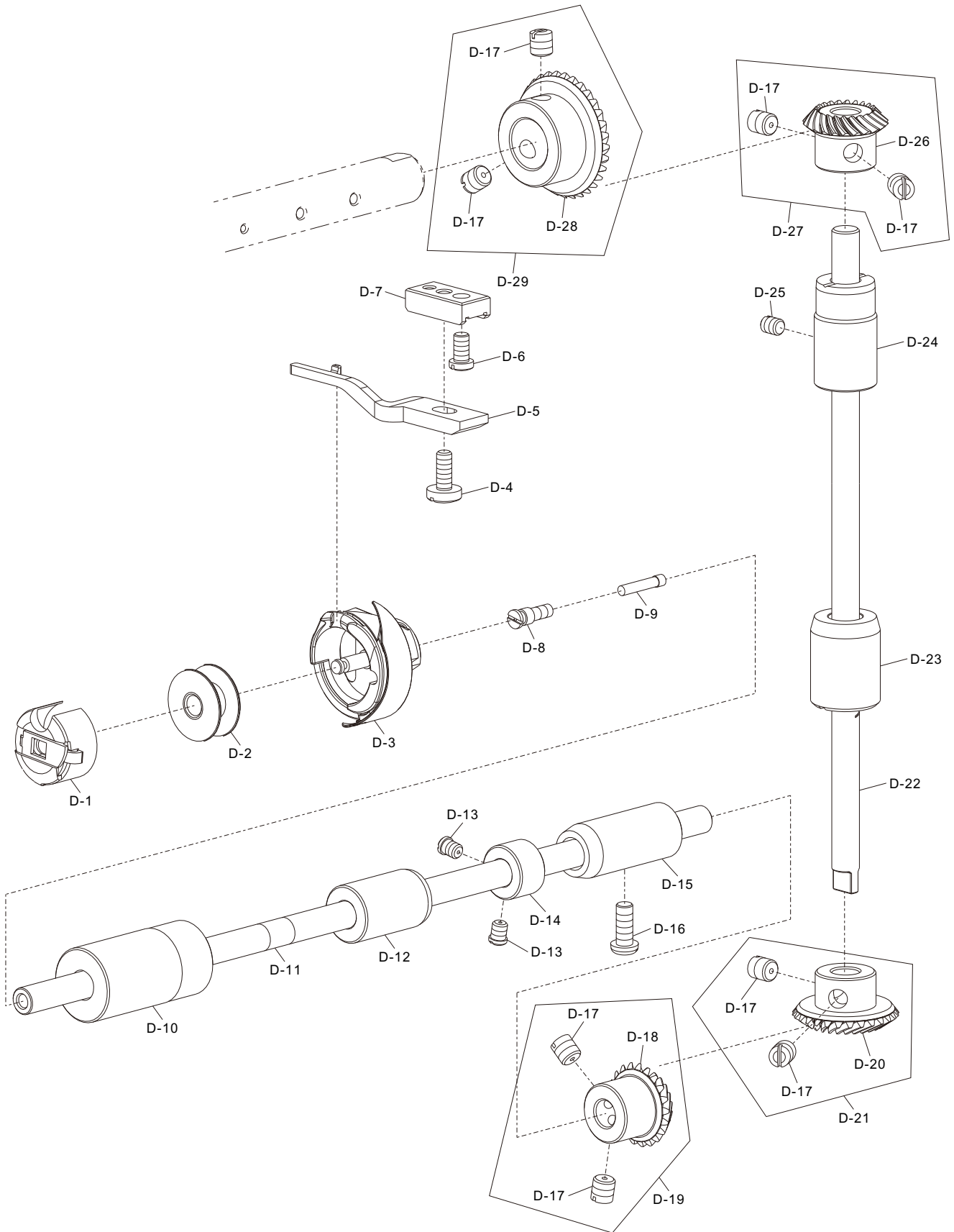
Hang Lifter & Tension Release Components(Simple models and Hemming models)

序号 Ref. No.	件号 Part No.	名称	Name of part	数量 QTY	备注 Remark
C-1	10059790	压脚组件	Presser foot ASM.	1	包边款 Hemming models
C-2	10010650	SM9/64"×40螺钉	Screw SM9/64"×40	1	
C-3	10045889	护指架	Finger frame	1	包边款 Hemming models
C-4	10044596	压脚组件	Presser foot ASM.	1	简易款 Simple models
C-5	10045062	护指架	Finger frame	1	简易款 Simple models
C-6	10010646	压杆	Presser bar	1	
C-7	10014118	压杆轴套	Shaft sleeve	1	
C-8	10066598	压紧杆防油罩	Oil protector cover	1	
C-9	10000325	M6×8螺钉	Screw M6×8	1	
C-10	10039365	压杆导架	Presser guide bar bracket	1	
C-11	10004439	调压导杆	Presser guide bar	1	
C-12	10004473	调压弹簧	Spring	1	
C-13	10062022	调压螺母	Nut	1	
C-14	10062021	调压螺钉	Screw	1	
C-15	10062052	调压螺钉组件	Screw ASM.	1	
C-16	10010651	SM3/16"×32螺钉	Screw SM3/16"×32	2	
C-17	10050189	抬压脚拉杆	Lifting lever connecting rod	1	
C-18	10010652	后杠杆轴位螺钉	Screw	1	
C-19	10053738	抬压脚后杠杆	Lifting lever link components	1	
C-20	10067486	抬压脚顶杆	Connecting rod vertical	1	
C-21	10009074	M4×4螺钉	Screw M4×4	1	
C-22	10039373	松线顶板销	Pin	1	
C-23	10010027	3.68×1.78 O形圈	O-ring 3.68×1.78	2	
C-24	10039372	松线顶板	Tension release plate	1	
C-25	10050590	平垫圈	Snap ring	1	
C-26	10050188	压脚升降板	Lifting lever	1	
C-27	10013038	5×0.8挡圈	Closing ring 5×0.8	2	
C-28	10052046	压脚升降板复位簧	Spring	1	
C-29	10062023	压脚扳手	Hand lifter	1	
C-30	10010016	SM9/64"×40螺钉	Screw SM9/64"×40	1	
C-31	10050190	压脚扳手凸轮部件	Hand lifter CAM ASM.	1	
C-32	10039374	限位销	Pin	1	

“\*” 具体内容需向客服咨询  
 “\*\*” Specific content need to consult customer service

# D

## 勾线分组件 Hook Of Driving Shaft Components



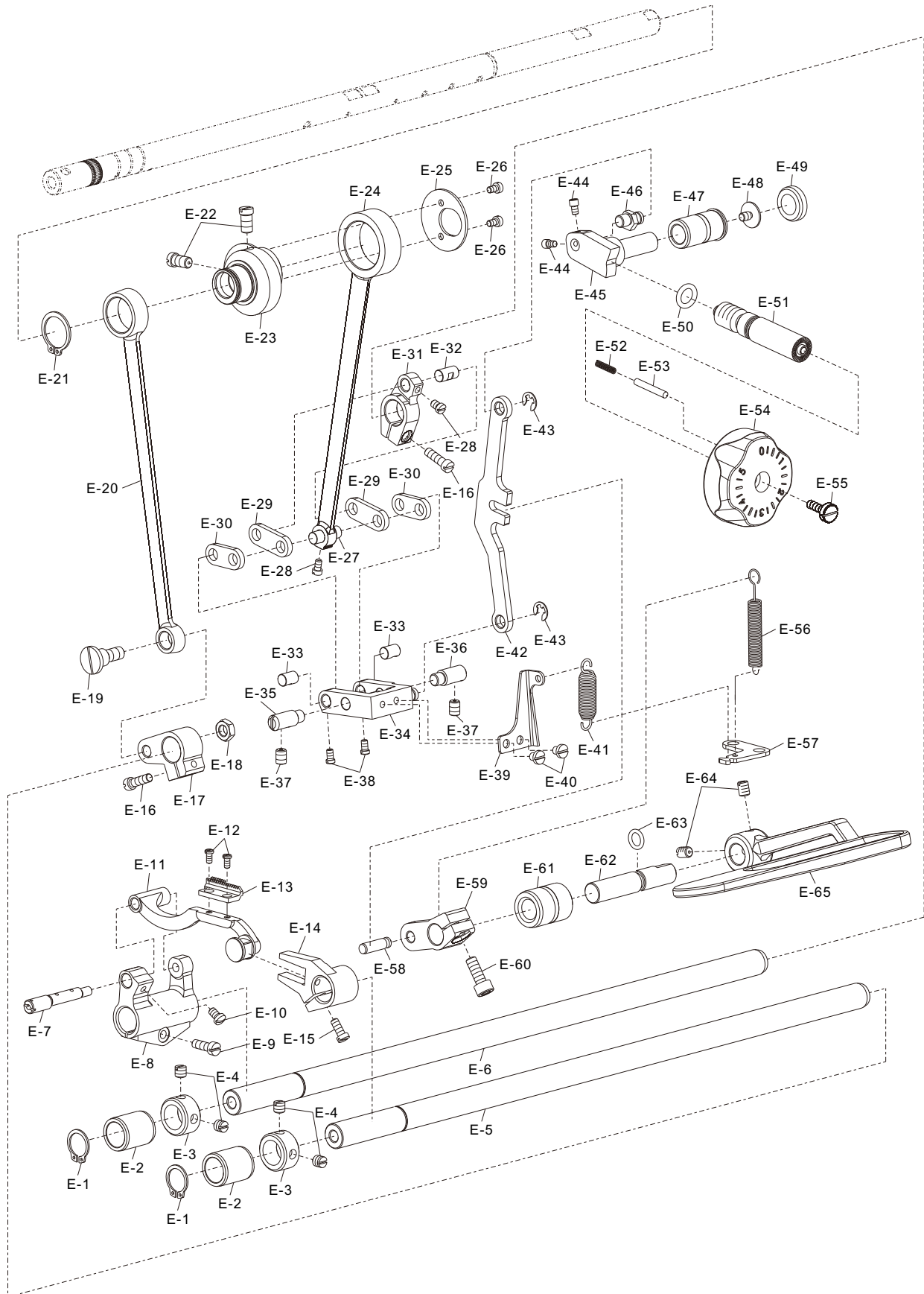
## D

### 勾线分组件 Hook Of Driving Shaft Components

序号 Ref. No.	件号 Part No.	名称	Name of part	数量 QTY	备注 Remark
D-1	*	梭壳	Bobbin case	1	
D-2	10010060	梭芯	Bobbin	1	简易款和包边款 Simple models and Hemming models
D-2	10025484	梭芯	Bobbin	1	四自动款 Four automatic models
D-3	*	旋梭	Hook	1	
D-4	10011101	SM11/64"×40螺钉	Screw SM11/64"×40	1	
D-5	10031260	旋梭定位钩	Positioning finger	1	
D-6	10043360	SM11/64"×40螺钉	Screw SM11/64"×40	1	
D-7	10050664	定刀安装架	Mounting rack	1	简易款和包边款 Simple models and Hemming models
D-7	10045823	定刀安装架	Mounting rack	1	四自动款 Four automatic models
D-8	10010064	下轴限油螺钉	Screw	1	
D-9	10010063	油芯	Oil wick	1	
D-10	10058811	下轴前轴套	Shaft sleeve	1	
D-11	10008821	下轴	Hook driving shaft	1	
D-12	10008857	下轴中轴套	Shaft sleeve	1	
D-13	10010059	SM11/64"×40螺钉	Screw SM11/64"×40	2	
D-14	10010058	挡圈	Thrust collar	1	
D-15	10007266	下轴后轴套	Shaft sleeve	1	
D-16	10010030	SM3/16"×28螺钉	Screw SM3/16"×28	1	
D-17	10010065	SM1/4"×40螺钉	Screw SM1/4"×40	8	
D-18	10003937	下轴伞齿轮	Gear	1	
D-19	10002560	下轴伞齿轮组件	Gear ASM.	1	
D-20	10010029	竖轴下伞齿轮	Gear	1	
D-21	10002509	竖轴下伞齿轮组件	Gear ASM.	1	
D-22	10010057	竖轴	Upright shaft	1	
D-23	10007235	竖轴下轴套	Shaft sleeve	1	
D-24	10007267	竖轴上轴套	Shaft sleeve	1	
D-25	10041529	SM3/16"×28螺钉	Screw SM3/16"×28	1	
D-26	10010062	竖轴上伞齿轮	Gear	1	
D-27	10002561	竖轴上伞齿轮组件	Gear ASM.	1	
D-28	10010056	上轴伞齿轮	Gear	1	
D-29	10002445	上轴伞齿轮组件	Gear ASM.	1	

“\*” 具体内容需向客服咨询  
“\*” Specific content need to consult customer service







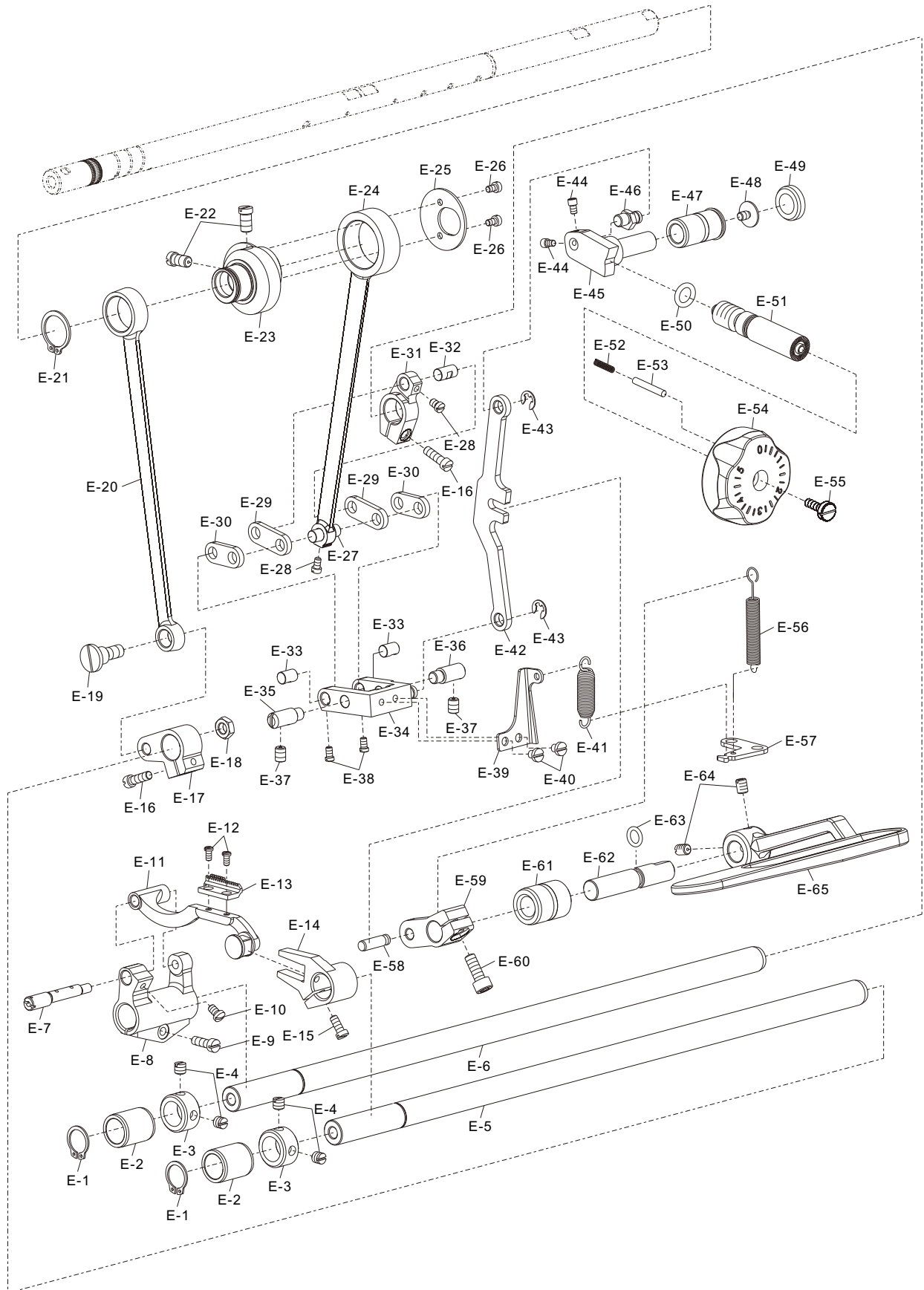
## 送料分组件(简易款和包边款)

## Feed Mechanism Components(Simple models and Hemming models)

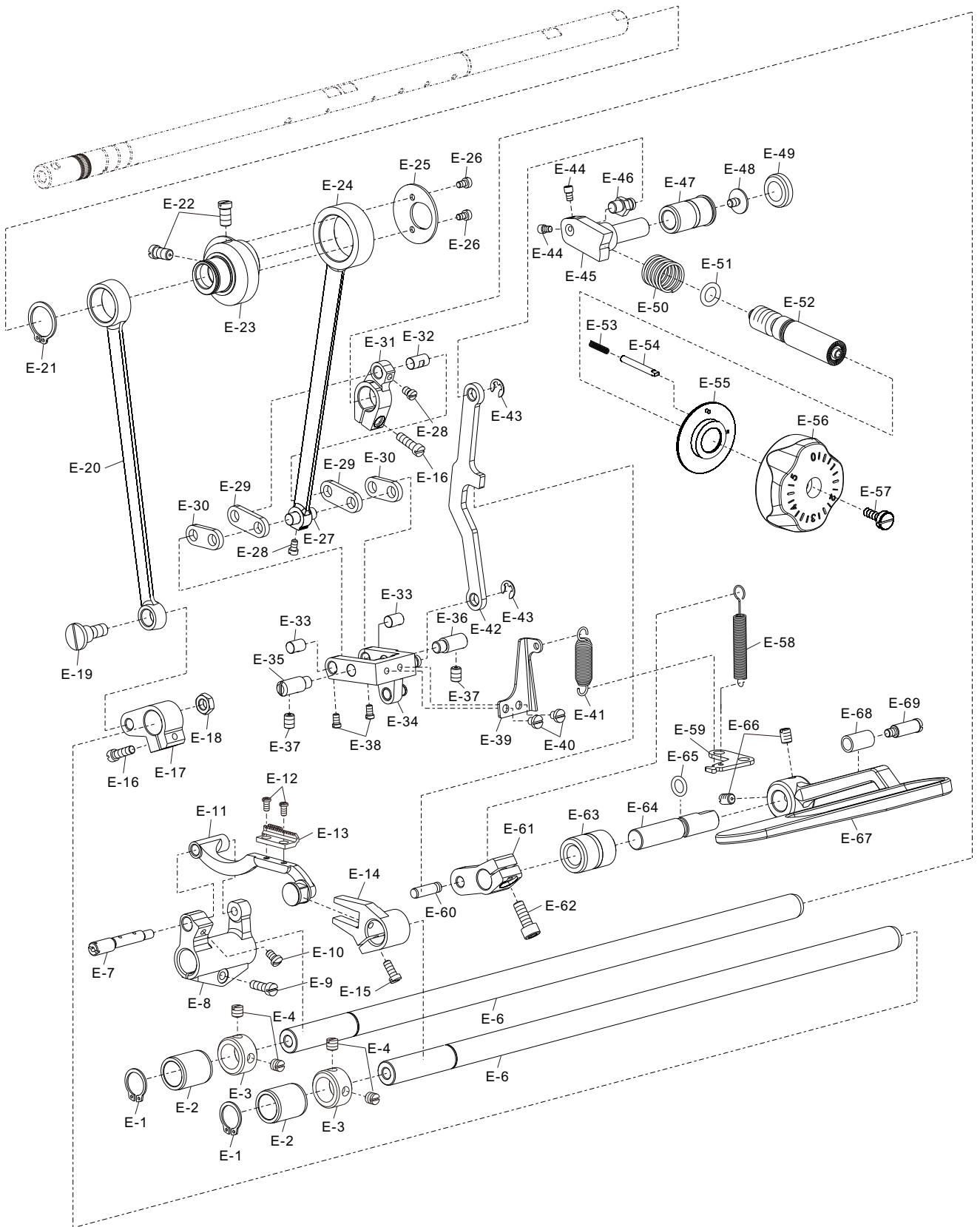
序号 Ref. No.	件号 Part No.	名称	Name of part	数量 QTY	备注 Remark
E-1	10010090	13.8×1挡圈	Closing ring 13.8×1	2	
E-2	10014116	送料抬牙轴轴套	Shaft sleeve	2	
E-3	10010542	挡圈	Thrust collar	2	
E-4	10038073	SM1/4"×40螺钉	Screw SM1/4"×40	4	
E-5	10010097	抬牙轴	Feed driving shaft	1	
E-6	10010073	送料轴	Feed rocker shaft	1	
E-7	10004440	牙架座偏心销	Pin	1	
E-8	10004474	牙架座	Feed bar driving crank	1	
E-9	10004993	SM3/16"×28螺钉	Screw SM3/16"×28	1	
E-10	10010074	SM11/64"×40螺钉	Screw SM11/64"×40	1	
E-11	20019012	牙架部件	Feed bar ASM.	1	
E-12	10010099	SM1/8"×44螺钉	Screw SM1/8"×44	2	
E-13	10044601	送料牙1/8	Feed dog 1/8	1	简易款 Simple models
E-13	10053013	送料牙3/16	Feed dog 3/16	1	包边款 Hemming models
E-14	10010100	抬牙叉形曲柄	Crank	1	
E-15	10004628	SM11/64"×40螺钉	Screw SM11/64"×40	1	
E-16	10010095	SM3/16"×28螺钉	Screw SM3/16"×28	2	
E-17	10010086	抬牙后曲柄	Crank	1	
E-18	10004475	SM9/32"×28螺母	Nut SM9/32"×28	1	
E-19	10010091	抬牙连杆轴位螺钉	Screw	1	
E-20	10010084	抬牙连杆	Connecting rod	1	
E-21	10010089	18.5×1.2挡圈	Closing ring 18.5×1.2	1	
E-22	10010092	SM1/4"×40螺钉	Screw SM1/4"×40	2	
E-23	10010115	送料偏心轮	Feed drive eccentric cam	1	
E-24	10010072	送料连杆	Connecting rod	1	
E-25	10010098	送料偏心轮盖板	Thrust cover	1	
E-26	10010643	SM9/64"×40螺钉	Screw SM9/64"×40	2	
E-27	10010069	送料连杆销	Pin	1	
E-28	10010071	SM9/64"×40螺钉	Screw SM9/64"×40	2	
E-29	10048696	送料长摆动板	Connecting plate	2	
E-30	10048736	送料短摆动板	Connecting plate	2	
E-31	10010076	送料曲柄	Crank	1	
E-32	10010096	送料曲柄销	Pin	1	
E-33	10010087	短摆动板连接销	Pin	2	
E-34	10010088	送料摆动板座部件	Feed adjusting ASM.	1	
E-35	10010102	送料摆动板座右销	Pin	1	
E-36	10058783	送料摆动板座右销	Pin	1	
E-37	10010678	SM15/64"×28螺钉	Screw SM15/64"×28	2	
E-38	10010197	SM9/64"×40螺钉	Screw SM9/64"×40	2	
E-39	10010282	摆动板复位板	Plate	1	
E-40	10010285	SM11/64"×40螺钉	Screw SM11/64"×40	2	
E-41	10010284	摆动板复位簧	Spring	1	
E-42	10064647	倒送料连杆	Feed adjust rod	1	
E-43	10010649	5.1×0.6挡圈	Closing ring 5.1×0.6	2	
E-44	10051742	SM9/64"×40螺钉	Screw SM9/64"×40	2	
E-45	10053433	送料调节器	Feed regulator	1	
E-46	10026886	偏心销	Pin	1	

\*\* 具体内容需向客服咨询

\*\* Specific content need to consult customer service









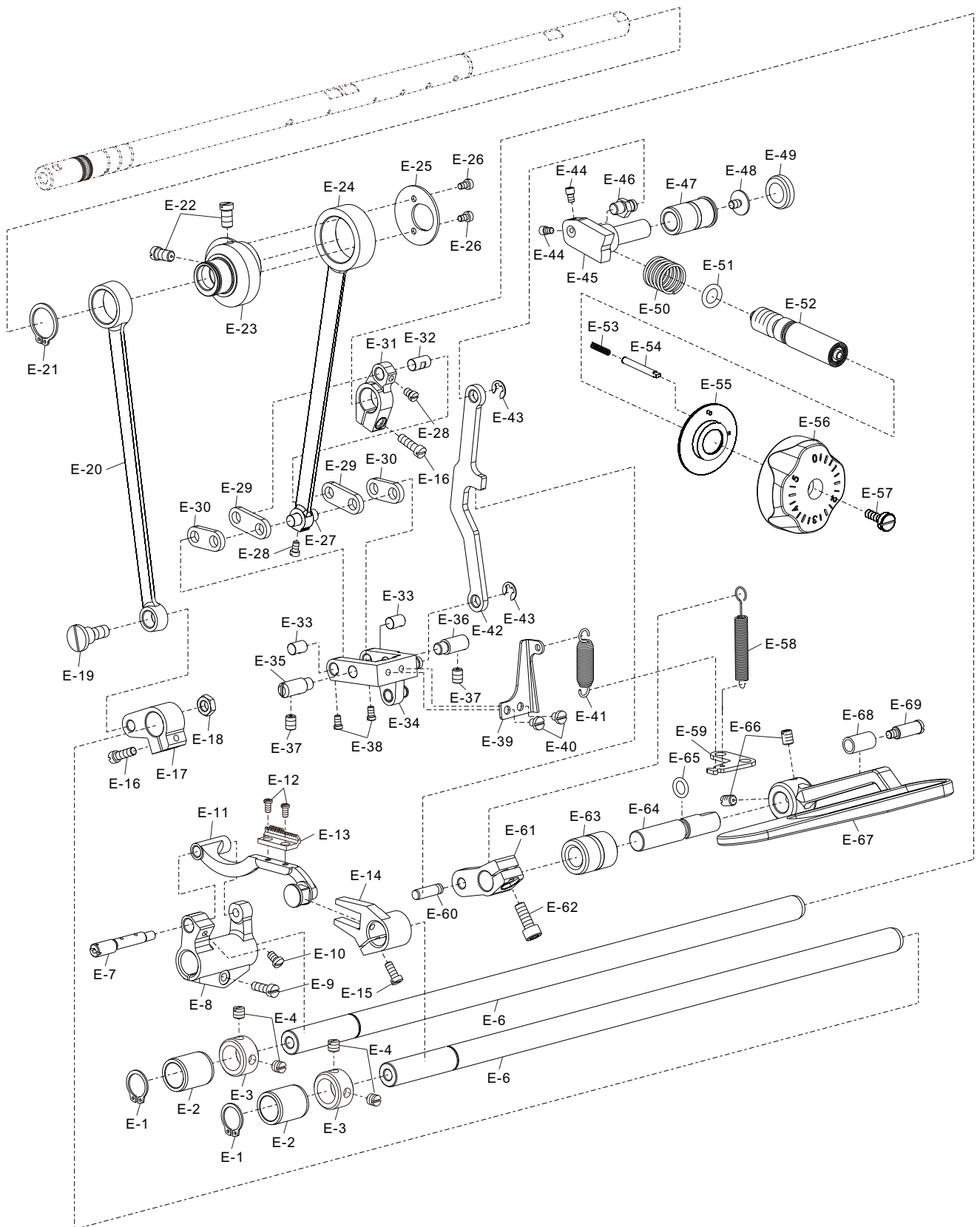
## 送料分组件(四自动款)

## Feed Mechanism Components(Four automatic models)

序号 Ref. No.	件号 Part No.	名称	Name of part	数量 QTY	备注 Remark
E-1	10010090	13.8×1挡圈	Closing ring 13.8×1	2	
E-2	10014116	送料拾牙轴轴套	Shaft sleeve	2	
E-3	10010542	挡圈	Thrust collar	2	
E-4	10038073	SM1/4"×40螺钉	Screw SM1/4"×40	4	
E-5	10010097	拾牙轴	Feed driving shaft	1	
E-6	10010073	送料轴	Feed rocker shaft	1	
E-7	10004440	牙架座偏心销	Pin	1	
E-8	10004474	牙架座	Feed bar driving crank	1	
E-9	10004993	SM3/16"×28螺钉	Screw SM3/16"×28	1	
E-10	10010074	SM11/64"×40螺钉	Screw SM11/64"×40	1	
E-11	20019012	牙架部件	Feed bar ASM.	1	
E-12	10010099	SM1/8"×44螺钉	Screw SM1/8"×44	2	
E-13	10044601	送料牙1/8	Feed dog 1/8	1	
E-14	10010100	拾牙叉形曲柄	Crank	1	
E-15	10004628	SM11/64"×40螺钉	Screw SM11/64"×40	1	
E-16	10010095	SM3/16"×28螺钉	Screw SM3/16"×28	2	
E-17	10010086	拾牙后曲柄	Crank	1	
E-18	10004475	SM9/32"×28螺母	Nut SM9/32"×28	1	
E-19	10010091	拾牙连杆轴位螺钉	Screw	1	
E-20	10010084	拾牙连杆	Connecting rod	1	
E-21	10010089	18.5×1.2挡圈	Closing ring 18.5×1.2	1	
E-22	10010092	SM1/4"×40螺钉	Screw SM1/4"×40	2	
E-23	10010115	送料偏心轮	Feed drive eccentric cam	1	
E-24	10010072	送料连杆	Connecting rod	1	
E-25	10010098	送料偏心轮盖板	Thrust cover	1	
E-26	10010643	SM9/64"×40螺钉	Screw SM9/64"×40	2	
E-27	10010069	送料连杆销	Pin	1	
E-28	10010071	SM9/64"×40螺钉	Screw SM9/64"×40	2	
E-29	10010068	送料长摆动板	Connecting plate	2	
E-30	10010075	送料短摆动板	Connecting plate	2	
E-31	10010076	送料曲柄	Crank	1	
E-32	10010096	送料曲柄销	Pin	1	
E-33	10010087	短摆动板连接销	Pin	2	
E-34	10012775	送料摆动板座部件	Feed adjusting ASM.	1	
E-35	10010102	送料摆动板座右销	Pin	1	
E-36	10058783	送料摆动板座右销	Pin	1	
E-37	10010678	SM15/64"×28螺钉	Screw SM15/64"×28	2	
E-38	10010197	SM9/64"×40螺钉	Screw SM9/64"×40	2	
E-39	10010282	摆动板座复位板	Plate	1	
E-40	10010285	SM11/64"×40螺钉	Screw SM11/64"×40	2	
E-41	10012796	摆动板座复位簧	Spring	1	
E-42	10008852	倒送料连杆	Feed adjust rod	1	
E-43	10010649	5.1×0.6挡圈	Closing ring 5.1×0.6	2	
E-44	10051742	SM9/64"×40螺钉	Screw SM9/64"×40	2	
E-45	10008848	送料调节器	Feed regulator	1	
E-46	10026886	偏心销	Pin	1	
E-47	10008956	送料调节器轴套	Shaft sleeve	1	

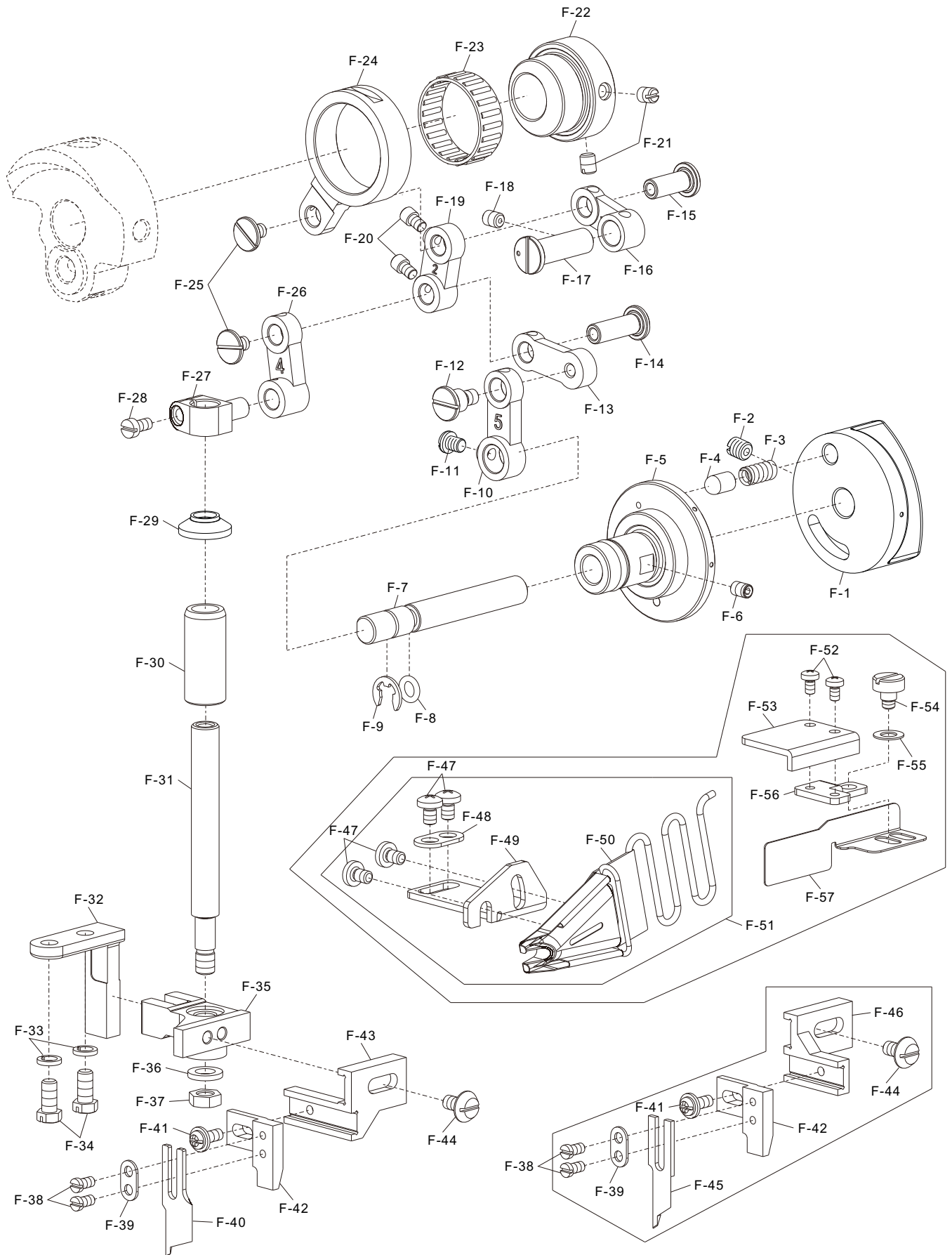
\*\* 具体内容需向客服咨询

\*\* Specific content need to consult customer service









## F

切刀控制分组件  
Cutter Control Components

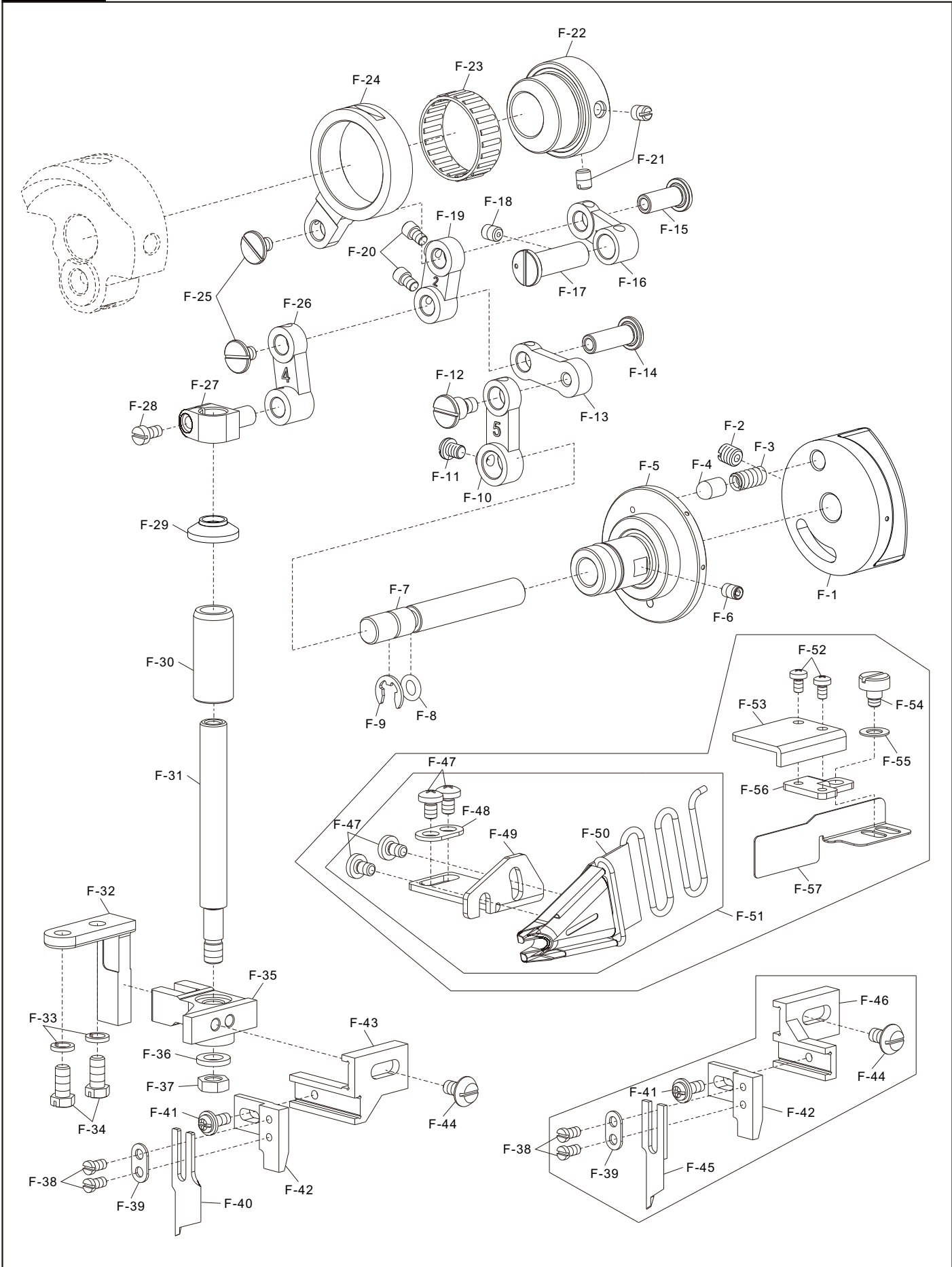
序号 Ref. No.	件号 Part No.	名称	Name of part	数量 QTY	备注 Remark
F-1	20025920	切刀开关旋钮	Knob	1	
F-2	10006264	SM15/64"×28螺钉	Screw SM15/64"×28	1	
F-3	10054643	旋钮定位销弹簧	Spring	1	
F-4	10059628	旋钮定位销	Pin	1	
F-5	10054641	切刀旋钮座	Knob base	1	
F-6	10012062	SM11/64"×40螺钉	Screw SM11/64"×40	1	
F-7	10054640	切刀开关轴	Shaft	1	
F-8	10003825	5×1.8 O形圈	O-ring 5×1.8	1	
F-9	10009654	6挡圈	Washer 6	1	
F-10	10053799	切刀开关曲柄(5)	Crank 5	1	
F-11	10003398	SM11/64"×40螺钉	Screw SM11/64"×40	1	
F-12	10053804	切刀开关曲柄轴位螺钉	Screw	1	
F-13	10053797	切刀开关曲柄连杆(3)	Link 3	1	
F-14	10053803	曲柄连杆连接销	Pin	1	
F-15	10053801	驱动连杆连接销	Pin	1	
F-16	10053795	切刀驱动连杆(1)	Link 1	1	
F-17	10053802	驱动连杆定位销	Pin	1	
F-18	10041529	SM3/16"×28螺钉	Screw SM3/16"×28	1	
F-19	10053796	切刀小连杆(2)	Link 2	1	
F-20	10051742	SM9/64"×40螺钉	Screw SM9/64"×40	2	
F-21	10013465	SM1/4"×40螺钉	Screw SM1/4"×40	2	
F-22	10056306	刀杆凸轮	Eccentric cam	1	
F-23	10047395	K25×29×9.7滚针轴承	Needle bearing K25×29×9.7	1	
F-24	10054697	切刀大连杆	Link	1	
F-25	10053800	连接销螺钉	Screw	2	
F-26	10053798	刀杆连杆(4)	Link 4	1	
F-27	10053805	刀杆连接柱	Pin	1	
F-28	10030286	SM9/64"×40螺钉	Screw SM9/64"×40	1	
F-29	10067138	刀杆防油罩	Oil protector cover	1	
F-30	10059931	刀杆轴套	Shaft sleeve	1	
F-31	10053843	刀杆	Knife bar	1	
F-32	10057418	刀架座导轨	Guiding block	1	
F-33	10005537	5弹簧垫圈	Washer 5	2	
F-34	10044613	SM3/16"×28螺钉	Screw SM3/16"×28	2	
F-35	10053844	刀架座	Knife holder base	1	
F-36	10002995	6垫圈	Washer 6	1	
F-37	10012985	SM15/64"×28螺母	Nut SM15/64"×28	1	
F-38	10044619	SM1/8"×44螺钉	Screw SM1/8"×44	2	
F-39	10044618	切刀垫片	Washer	1	
F-40	10044617	切刀	Cutting knife	1	简易款和四自动款 Simple models and Four automatic models
F-41	10010016	SM9/64"×40螺钉	Screw SM9/64"×40	1	
F-42	10053848	刀架	Knife holder	1	
F-43	10053846	切刀调节架	Adjustable stand	1	
F-44	10044616	SM11/64"×40螺钉	Screw SM11/64"×40	1	
F-45	10045874	切刀	Cutting knife	1	包边款 Hemming models
F-46	10053847	切刀调节架	Adjustable stand	1	包边款 Hemming models
F-47	10003044	M4×6螺钉	Screw M4×6	4	包边款 Hemming models

\*\* 具体内容需向客服咨询

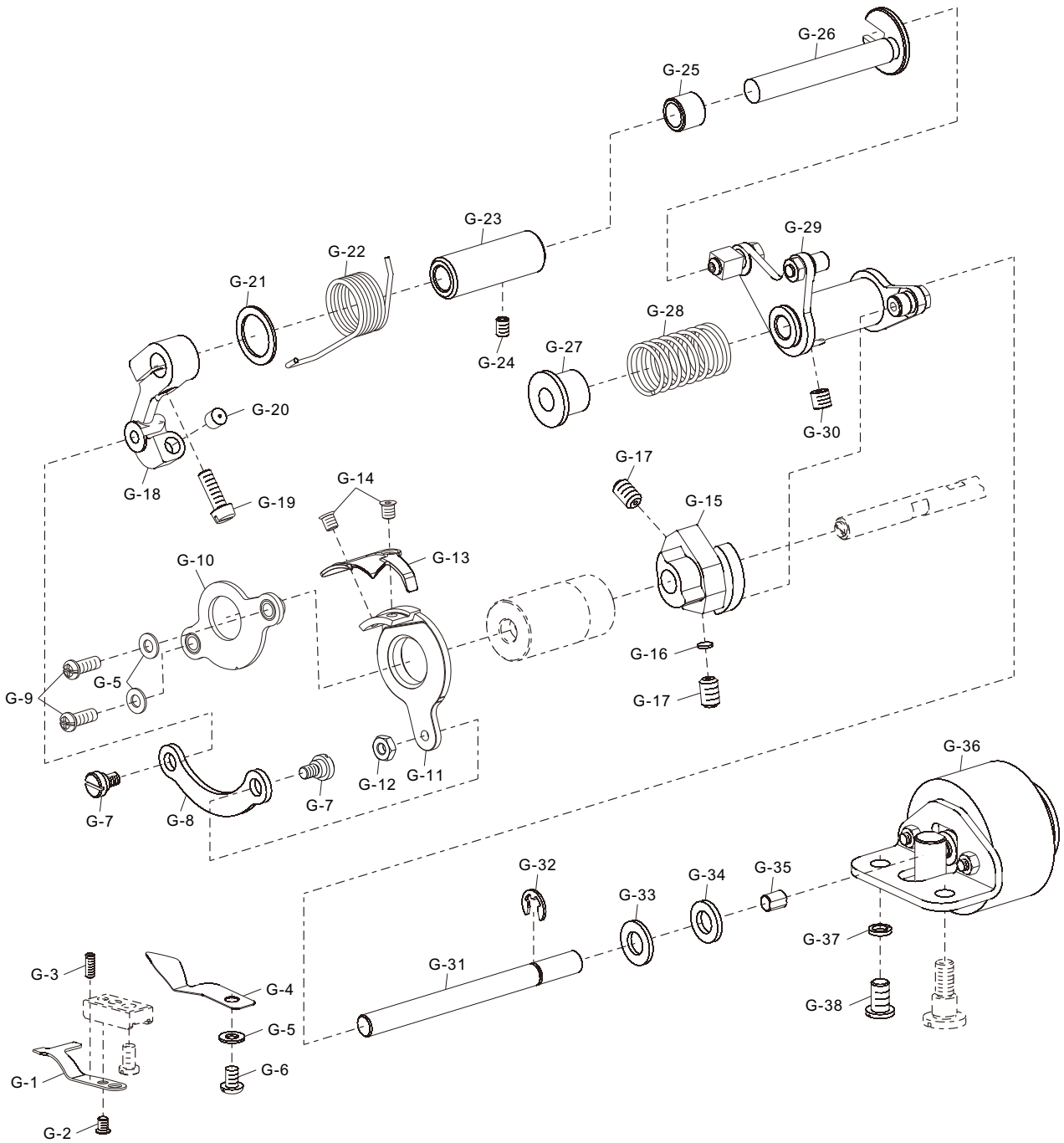
\*\* Specific content need to consult customer service

# F

## 切刀控制分组件 Cutter Control Components









## 剪线分组件(四自动款)

## Thread trimmer Components (Four automatic models)

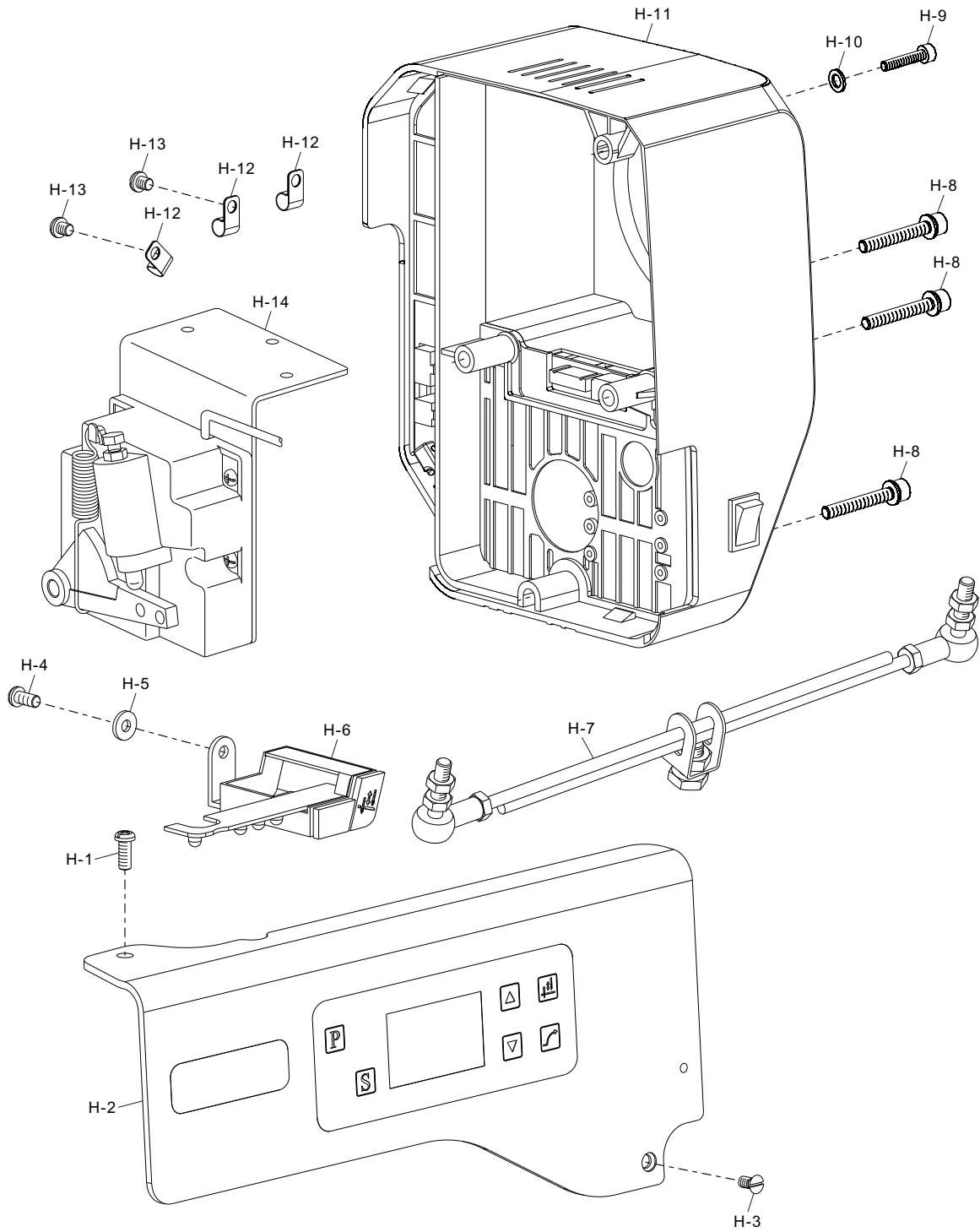
序号 Ref. No.	件号 Part No.	名称	Name of part	数量 QTY	备注 Remark
G-1	10011421	定刀	Fixed knife	1	
G-2	10011422	SM9/64"×40螺钉	Screw SM9/64"×40	1	
G-3	10024496	SM1/8"×40螺钉	Screw SM1/8"×40	1	
G-4	10058067	分线器	Dispart	1	
G-5	10013154	9×4.5×0.8垫圈	Washer 9×4.5×0.8	3	
G-6	10014474	SM11/64"×40螺钉	Screw SM11/64"×40	1	
G-7	10011514	SM11/64"×40螺钉	Screw SM11/64"×40	2	
G-8	10031612	刀轴连杆	Knife shaft crack rod	1	
G-9	10010900	SM11/64"×40螺钉	Screw SM11/64"×40	2	
G-10	10008856	刀架压板组件	Knife holder ASM.	1	
G-11	10004640	动刀架	Round knife bracket	1	
G-12	10011578	SM11/64"×40螺母	Nut SM11/64"×40	1	
G-13	10011494	动刀	Round knife	1	
G-14	10011588	SM11/64"×40螺钉	Screw SM11/64"×40	2	
G-15	10010736	剪线凸轮	Thread trimmer cam	1	
G-16	10023739	剪线凸轮垫	Cam collar	1	
G-17	10013465	SM1/4"×40螺钉	Screw SM1/4"×40	2	
G-18	10058043	切线驱动曲柄	Trimming crank	1	
G-19	10008863	SM3/16"×32螺钉	Screw SM3/16"×32	1	
G-20	10011580	曲柄止动块	Block	1	
G-21	10008865	15.3×21×1垫圈	Washer 15.3×21×1	1	
G-22	10011649	曲柄复位簧	Spring	1	
G-23	10067914	切线轴套	Shaft sleeve	1	
G-24	10012062	SM11/64"×40螺钉	Screw SM11/64"×40	1	
G-25	10011630	曲柄轴短套	Short bushing	1	
G-26	10067912	切刀驱动曲柄轴	Trimming crank shaft	1	
G-27	10014196	弹簧端盖	Spring cover	1	
G-28	10008812	弹簧	Spring	1	
G-29	10011686	切线凸轮曲柄组件	Trimming cam crank ASM.	1	
G-30	10008862	SM1/4"×40螺钉	Screw SM1/4"×40	1	
G-31	10011697	切刀驱动轴	Trimming shaft	1	
G-32	10009654	6×1挡圈	Closing ring 6×1	1	
G-33	10003031	8.4×16×1.6垫圈	Washer 8.4×16×1.6	1	
G-34	10011650	8.2×15×2垫圈	Washer 8.2×15×2	1	
G-35	10050266	消音塞	Sound deadening plug	1	
G-36	10031414	剪线电磁铁组件	Thread trimmer solenoid ASM.	1	
G-37	10003077	6弹簧垫圈	Washer 6	1	
G-38	10011605	SM1/4"×28螺钉	Screw SM1/4"×28	1	

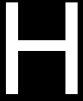
“\*” 具体内容需向客服咨询  
“\*\*” Specific content need to consult customer service



电控分组件(简易款和包边款)

Drive-by-wire Components (Simple models and Hemming models)





### 电控分组件(简易款和包边款)

### Drive-by-wire Components (Simple models and Hemming models)

序号 Ref. No.	件号 Part No.	名称	Name of part	数量 QTY	备注 Remark
H-1	10063944	SM3/16"×28螺钉	Screw SM3/16"×28	1	
H-2	*	操作屏组件	Operation screen ASM.	1	
H-3	10009005	SM11/64"×40螺钉	Screw SM11/64"×40	1	
H-4	10008934	SM3/16"×28螺钉	Screw SM3/16"×28	1	
H-5	10011168	4.8×11.6×1.6垫圈	Washer 4.8×11.6×1.6	1	
H-6	10068049	机头灯部件	Led lamp ASM.	1	
H-7	10042945	踏板连杆组件	Pedal control rod ASM.	1	
H-8	10049837	M5×35螺钉	Screw M5×35	3	
H-9	10012080	M4×20螺钉	Screw M4×20	1	
H-10	10006115	5.3×9×1垫圈	Washer 5.3×9×1	1	
H-11	10062594	电控箱	Controll box	1	
H-12	10062062	电线夹1	Cord holder 1	3	
H-13	10010899	SM3/16"×28螺钉	Screw SM3/16"×28	2	
H-14	10031424	踏板组件	Pedal unit ASM.	1	

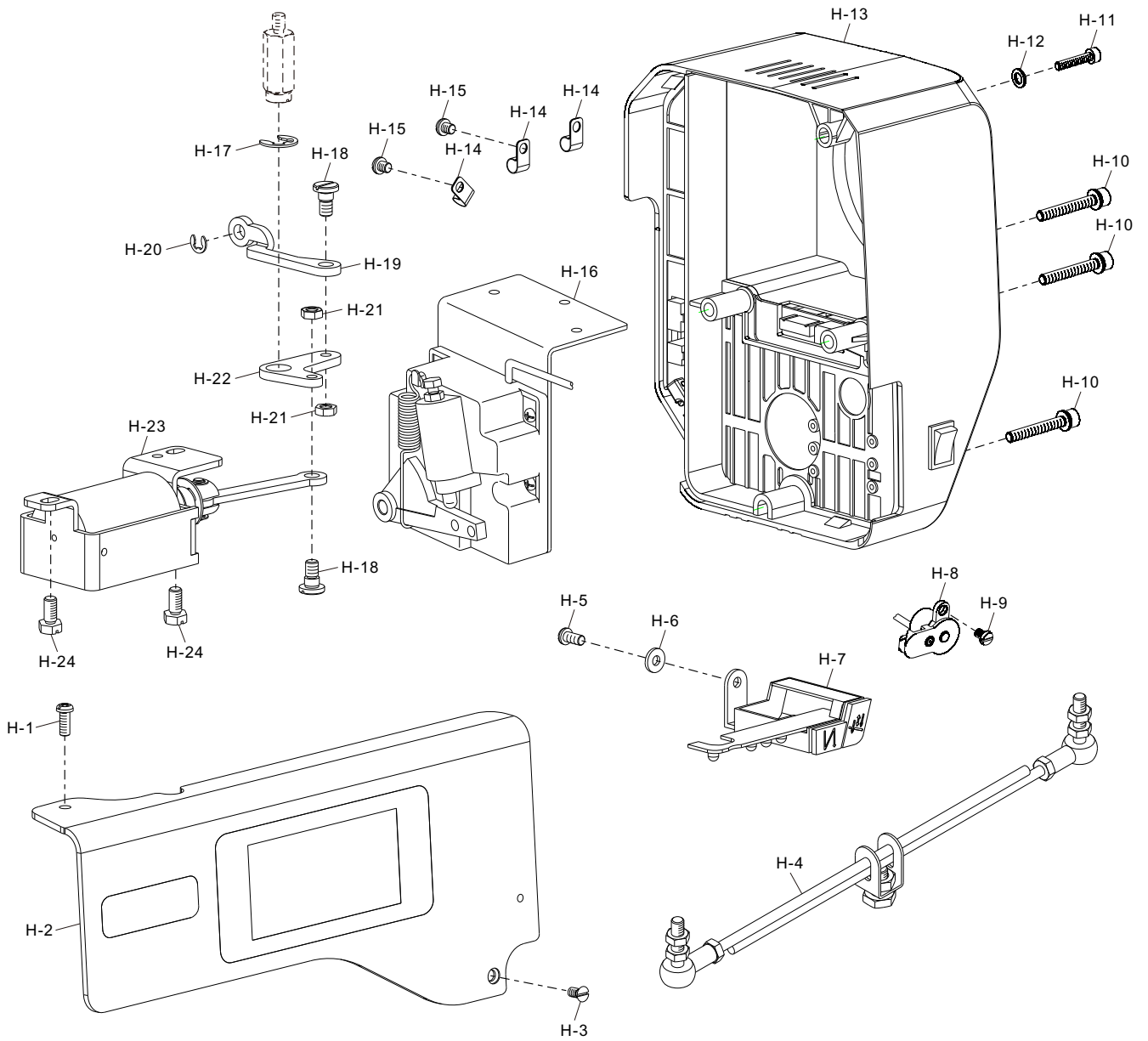
“\*” 具体内容需向客服咨询  
 “\*” Specific content need to consult customer service





电控分组件(四自动款)

Drive-by-wire Components (Four automatic models)





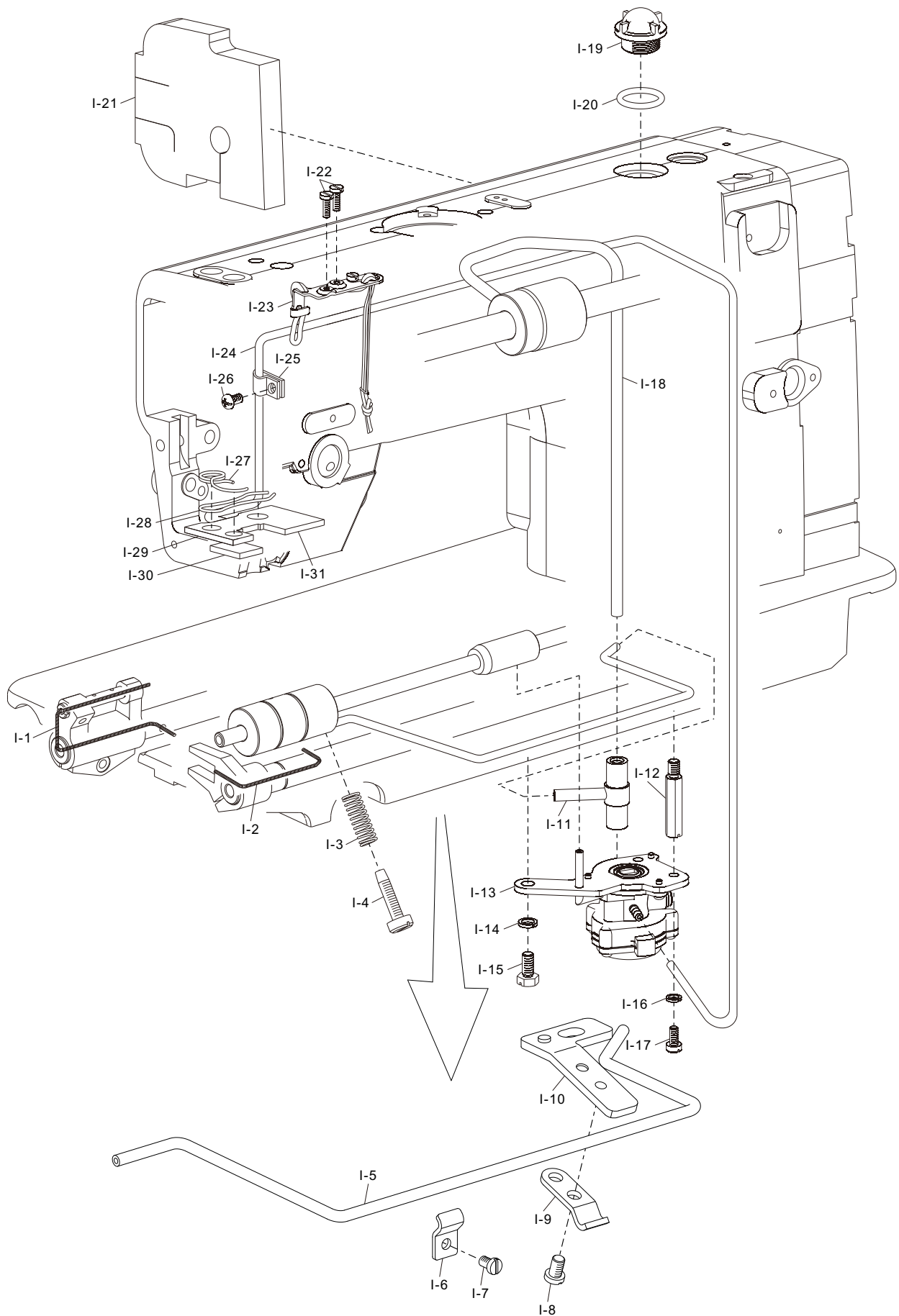
电控分组件(四自动款)

Drive-by-wire Components (Four automatic models)

序号 Ref. No.	件号 Part No.	名称	Name of part	数量 QTY	备注 Remark
H-1	10063944	SM3/16"×28螺钉	Screw SM3/16"×28	1	
H-2	*	操作屏组件	Operation screen ASM.	1	
H-3	10009005	SM11/64"×40螺钉	Screw SM11/64"×40	1	
H-4	10042945	踏板连杆组件	Pedal control rod ASM.	1	
H-5	10008934	SM3/16"×28螺钉	Screw SM3/16"×28	1	
H-6	10011168	4.8×11.6×1.6垫圈	Washer 4.8×11.6×1.6	1	
H-7	10068050	机头灯部件	Led lamp ASM.	1	
H-8	10039460	电子夹线器	Electromagnet tension disk	1	
H-9	10005204	M4×6螺钉	Screw M4×6	1	
H-10	10049837	M5×35螺钉	Screw M5×35	3	
H-11	10012080	M4×20螺钉	Screw M4×20	1	
H-12	10006115	5.3×9×1垫圈	Washer 5.3×9×1	1	
H-13	10062566	电控箱	Controll box	1	
H-14	10062062	电线夹1	Cord holder 1	3	
H-15	10010899	SM3/16"×28螺钉	Screw SM3/16"×28	2	
H-16	10031424	踏板组件	Pedal unit ASM.	1	
H-17	10003281	9×1挡圈	Closing ring 9×1	1	
H-18	10012983	SM15/64"×28螺钉	Screw SM15/64"×28	2	
H-19	10012797	自动倒送料拉杆	Reverse feed connecting plate	1	
H-20	10024748	5×0.8挡圈	Closing ring 5×0.8	1	
H-21	10012985	SM15/64"×28螺母	Nut SM15/64"×28	2	
H-22	10012989	自动倒送料曲柄	Connecting arm	1	
H-23	10031416	倒缝电磁铁组件	Backstitch electromagnet ASM.	1	
H-24	10050422	SM15/64"×28螺钉	Screw SM15/64"×28	2	

“\*” 具体内容需向客服咨询  
 “\*” Specific content need to consult customer service

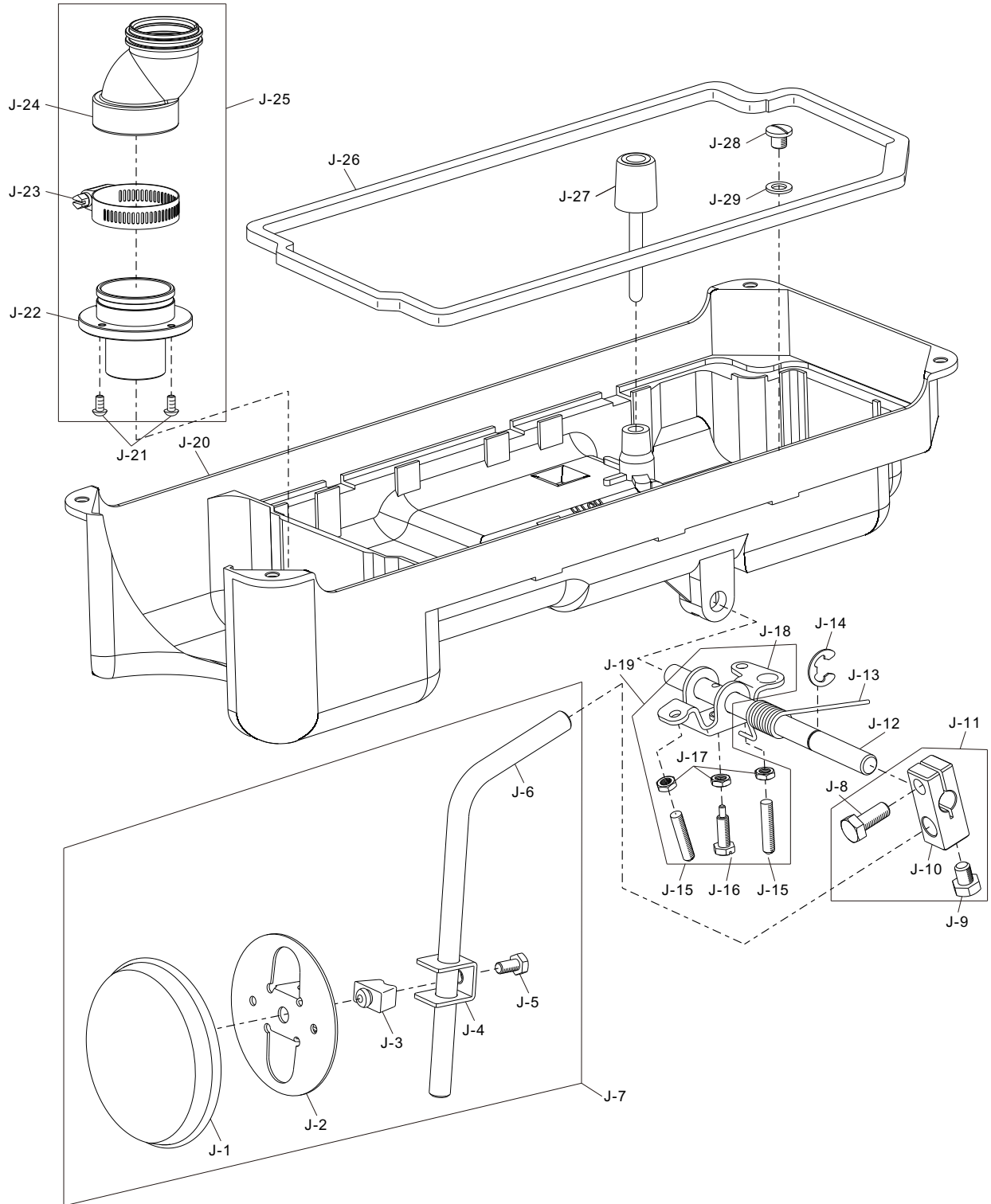
# 润滑分组件 Lubrication Components



## I 润滑分组件 Lubrication Components

序号 Ref. No.	件号 Part No.	名称	Name of part	数量 QTY	备注 Remark
I-1	10008067	φ2油线(430mm)	Oil wick(430mm)	1	
I-2	10008067	φ2油线(400mm)	Oil wick(400mm)	1	
I-3	10008806	旋梭油量调节簧	Spring	1	
I-4	10008831	旋梭油量调节螺钉	Screw	1	
I-5	10008807	旋梭供油管	Oil tube	1	
I-6	10050424	旋梭供油管压板	Tube holder	1	四自动款 Four automatic models
I-7	10013269	SM9/64"×40螺钉	Screw SM9/64"×40	1	四自动款 Four automatic models
I-8	10010074	SM11/64"×40螺钉	Screw SM11/64"×40	1	简易款和包边款 Simple models and Hemming models
I-9	10012445	旋梭供油管压板	Tube holder	1	简易款和包边款 Simple models and Hemming models
I-10	10012443	油管下支承板	Plate	1	简易款和包边款 Simple models and Hemming models
I-11	10010340	供油管接头	Oil connection	1	
I-12	10010293	油泵连接螺柱	Screw	1	简易款和包边款 Simple models and Hemming models
I-12	10012505	油泵连接螺柱	Screw	1	四自动款 Four automatic models
I-13	10008817	油泵部件	Oil pump ASM.	1	
I-14	10003077	6弹簧垫圈	Washer 6	1	
I-15	10050422	SM15/64"×28螺钉	Screw SM15/64"×28	1	
I-16	10005537	5弹簧垫圈	Washer 5	1	
I-17	10010066	SM11/64"×40螺钉	Screw SM11/64"×40	1	
I-18	10067141	上轴供油管	Oil tube	1	简易款和包边款 Simple models and Hemming models
I-18	10048653	上轴供油管	Oil tube	1	四自动款 Four automatic models
I-19	10008938	油窗	Oil sight window	1	
I-20	10008939	19×3 O形圈	O-ring 19×3	1	
I-21	10063945	挡油海绵	Foam rubber	1	
I-22	10045116	SM9/64"×40螺钉	Screw SM9/64"×40	2	
I-23	20017161	油线固定板组件	Dead plate ASM.	1	
I-24	10007795	φ3.5×φ5油管(690mm)	Oil tube(690mm)	1	
I-25	10050804	回油管夹	Holder	1	
I-26	10008934	SM3/16"×28螺钉	Screw SM3/16"×28	1	
I-27	10042077	回油毛毡夹	Oil felt preser	1	
I-28	10054825	回油毛毡夹	Oil felt preser	1	
I-29	10054653	回油毛毡1	Roler felt 1	1	
I-30	10054654	回油毛毡2	Roler felt 2	1	
I-31	20020103	回油管组件	Oil return tube ASM.	1	

“\*” 具体内容需向客服咨询  
“\*” Specific content need to consult customer service

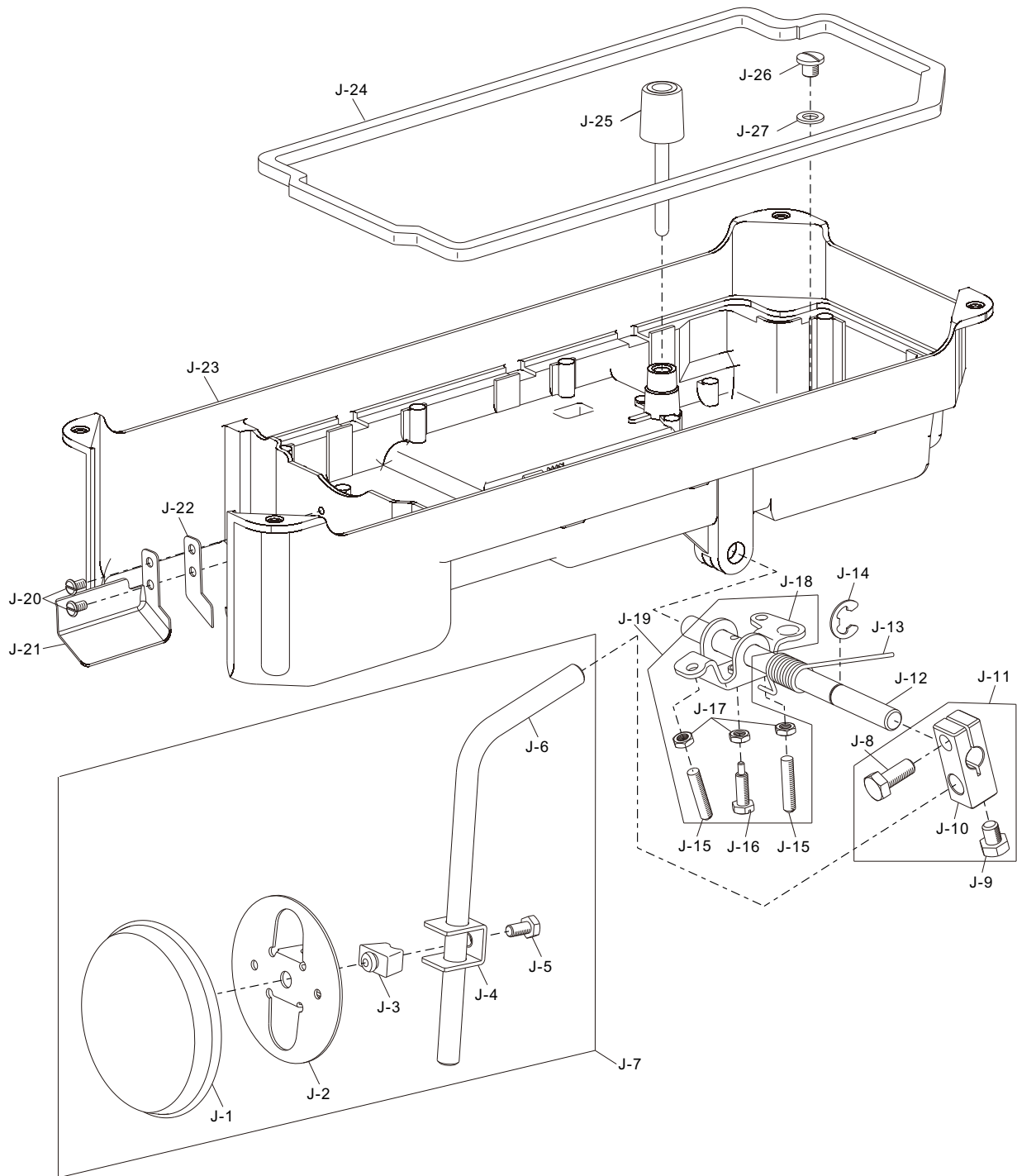


## 油盘、膝抬压脚分组件(包边款)

### Presser Foot Components Of Oil Plate Knee Lift (Hemming models)

序号 Ref. No.	件号 Part No.	名称	Name of part	数量 QTY	备注 Remark
J-1	10004223	操纵板软垫	Knee pressing cover	1	
J-2	10003891	操纵板	Knee pressing plate	1	
J-3	10003900	操纵板垫	Knee pressing plate rubber	1	
J-4	10003897	操纵杆接头	Knee pressing plate holder	1	
J-5	10003894	SM15/64"×28螺钉	Screw SM15/64"×28	1	
J-6	10003901	操纵杆	Knee pressing plate rod	1	
J-7	10009985	操纵杆部件	Knee pressing plate ASM.	1	
J-8	10002613	M8×20螺钉	Screw M8×20	1	
J-9	10002610	M8×10螺钉	Screw M8×10	1	
J-10	10003896	抬压脚操纵杆接头	Connection	1	
J-11	10002562	抬压脚操纵杆接头组件	Connection ASM.	1	
J-12	10003899	抬压脚轴	Knee pressing shaft	1	
J-13	10003893	双向曲柄扭簧	Spring	1	
J-14	10002559	9.8×1挡圈	Closing ring 9.8×1	1	
J-15	10003895	M6×30螺钉	Screw M6×30	2	
J-16	10003898	双向曲柄螺钉	Screw	1	
J-17	10003890	M6×3.2螺母	Nut M6×3.2	3	
J-18	10009987	抬压脚双向曲柄	Crank	1	
J-19	10002563	抬压脚双向曲柄组件	Crank ASM.	1	
J-20	10054998	油盘	Oil reservoir	1	
J-21	10059604	转接头固定螺钉	Screw M4×8	2	
J-22	10059601	下料斗转接头	Adaptor	1	
J-23	10059603	连接管固定卡箍	Hose clamps	1	
J-24	10059602	转接头橡胶连接管	Rubber connecting pipe	1	
J-25	10059600	下料斗转接头组件	Adaptor ASM.	1	
J-26	10014194	油盘垫	Oil reservoir gasket	1	
J-27	10009984	抬压脚顶销	Pin	1	
J-28	10009991	SM5/16"×24螺钉	Screw SM5/16"×24	1	
J-29	10009988	7.8×13.5×1.3垫圈	Rubber ring 7.8×13.5×1.3	1	

“\*” 具体内容需向客服咨询  
 “\*\*” Specific content need to consult customer service



# J

## 油盘、膝抬压脚分组件(简易款和四自动款)

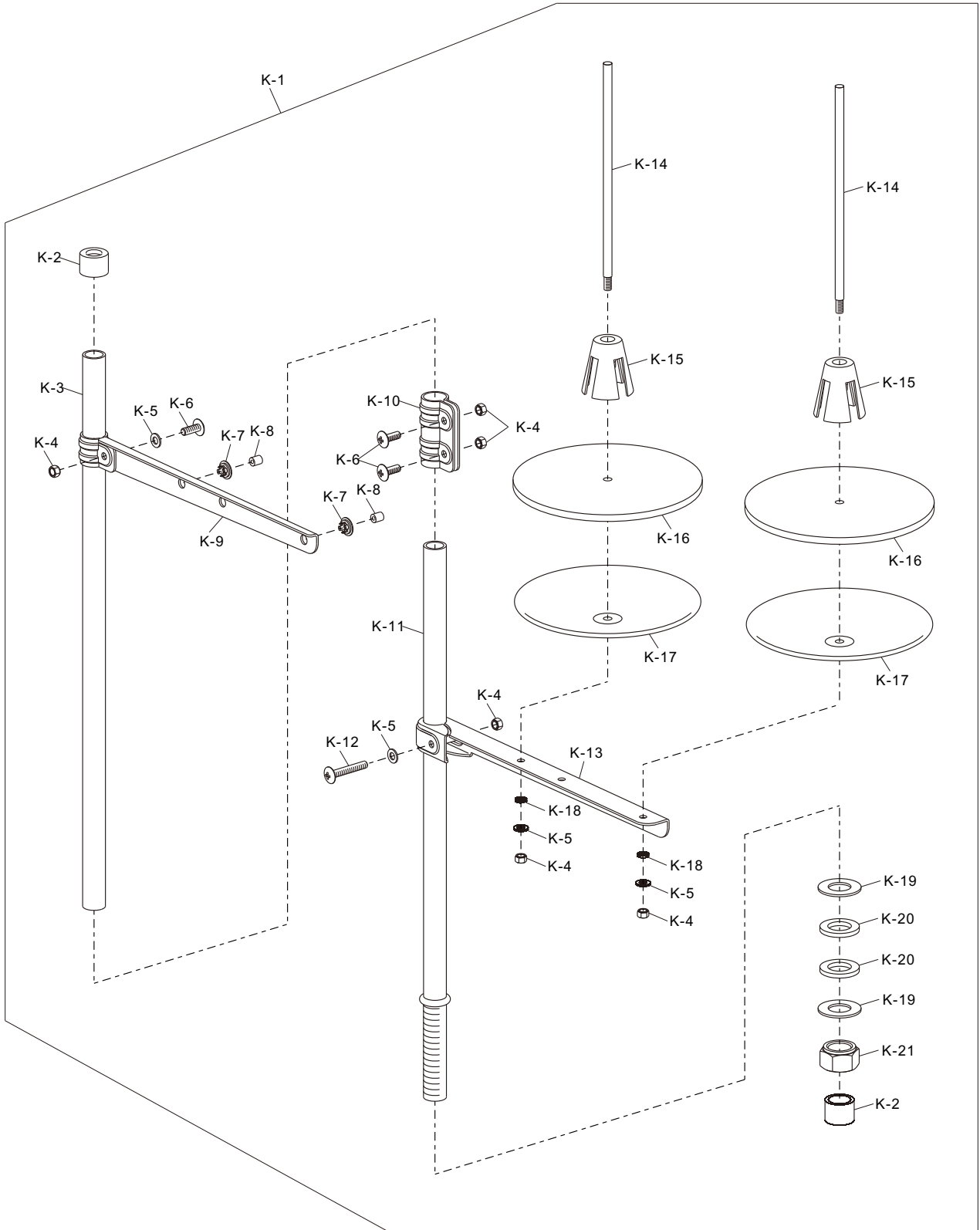
### Presser Foot Components Of Oil Plate Knee Lift (Simple models and Four automatic models)

序号 Ref. No.	件号 Part No.	名称	Name of part	数量 QTY	备注 Remark
J-1	10004223	操纵板软垫	Knee pressing cover	1	
J-2	10003891	操纵板	Knee pressing plate	1	
J-3	10003900	操纵板垫	Knee pressing plate rubber	1	
J-4	10003897	操纵杆接头	Knee pressing plate holder	1	
J-5	10003894	SM15/64"×28螺钉	Screw SM15/64"×28	1	
J-6	10003901	操纵杆	Knee pressing plate rod	1	
J-7	10009985	操纵杆部件	Knee pressing plate ASM.	1	
J-8	10002613	M8×20螺钉	Screw M8×20	1	
J-9	10002610	M8×10螺钉	Screw M8×10	1	
J-10	10003896	抬压脚操纵杆接头	Connection	1	
J-11	10002562	抬压脚操纵杆接头组件	Connection ASM.	1	
J-12	10003899	抬压脚轴	Knee pressing shaft	1	
J-13	10003893	双向曲柄扭簧	Spring	1	
J-14	10002559	9.8×1挡圈	Closing ring 9.8×1	1	
J-15	10003895	M6×30螺钉	Screw M6×30	2	
J-16	10003898	双向曲柄螺钉	Screw	1	
J-17	10003890	M6×3.2螺母	Nut M6×3.2	3	
J-18	10009987	抬压脚双向曲柄	Crank	1	
J-19	10002563	抬压脚双向曲柄组件	Crank ASM.	1	
J-20	10013128	SM11/64"×40螺钉	Screw SM11/64"×40	2	
J-21	10044634	导屑板	Chip guide plate	1	
J-22	10045130	导屑板衬垫	Chip guide plate mat	1	
J-23	10044633	油盘	Oil reservoir	1	
J-24	10014194	油盘垫	Oil reservoir gasket	1	
J-25	10009984	抬压脚顶销	Pin	1	
J-26	10009991	SM5/16"×24螺钉	Screw SM5/16"×24	1	
J-27	10009988	7.8×13.5×1.3垫圈	Rubber ring 7.8×13.5×1.3	1	

“\*” 具体内容需向客服咨询

“\*” Specific content need to consult customer service

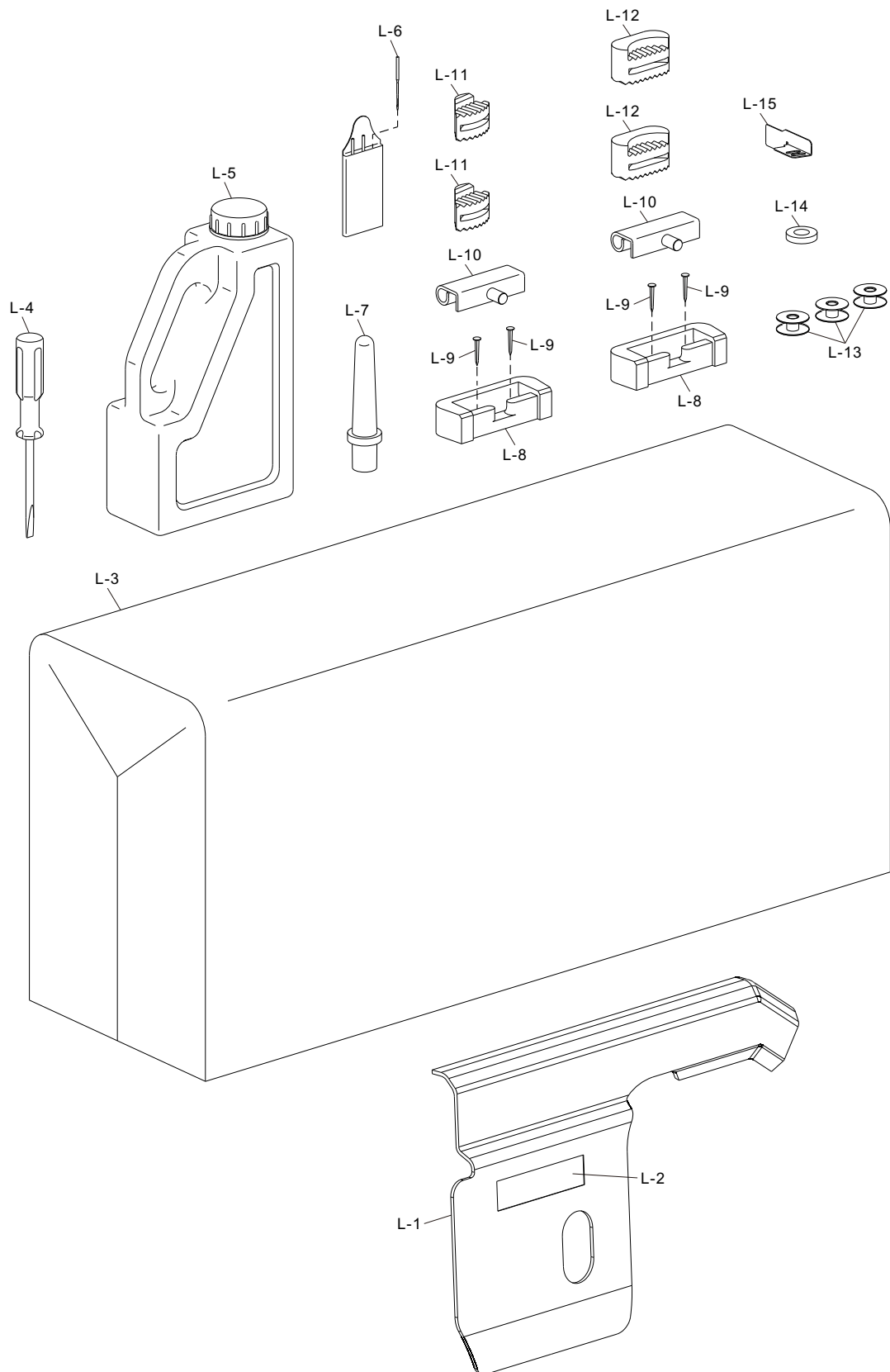








附件(包边款)  
Auxiliaries (Hemming models)

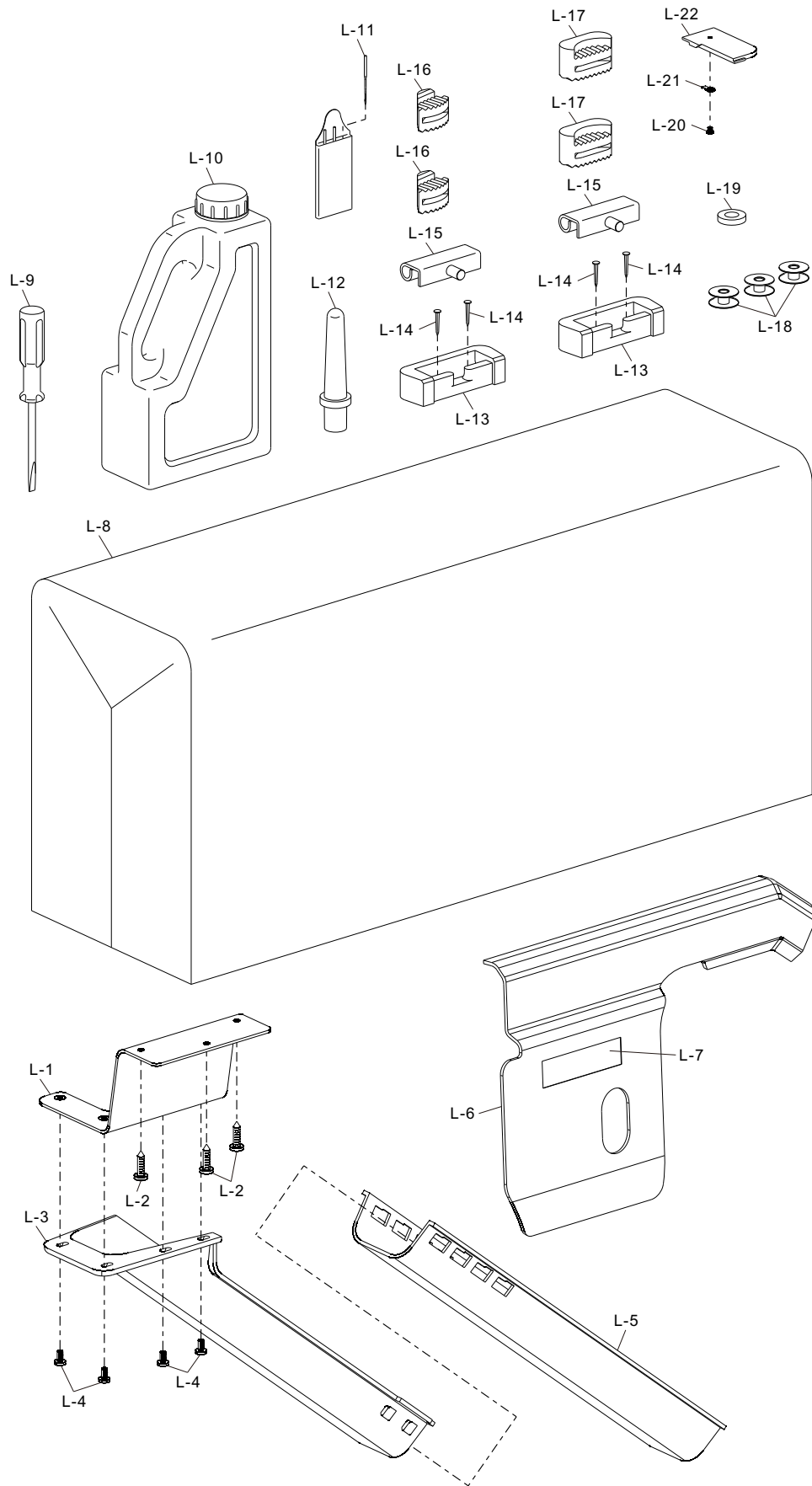






附件(简易款和四自动款)

Auxiliaries (Simple models and Four automatic models)





## 附件(简易款和四自动款)

## Auxiliaries (Simple models and Four automatic models)

序号 Ref. No.	件号 Part No.	名称	Name of part	数量 QTY	备注 Remark
L-1	20016320	导屑滑板支架	Waste material chute holder	1	
L-2	10008323	ST4.2×20螺钉	Screw ST4.2×20	3	
L-3	10044640	导屑滑板	Waste material chute	1	
L-4	10009455	M4×8螺钉	Screw M4×8	4	
L-5	10044641	导屑连接滑板	Waste material chute joint	1	
L-6	10067152	后窗塑料罩	Plastic cover	1	
L-7	*	塑料罩标贴	Trademark sticker	1	
L-8	*	机头罩	Head cover	1	
L-9	10010995	中螺丝刀	Screw driver , middle	1	
L-10	10060866	油箱	Oil bottle 500ml	1	
L-11	*	DB×1 14#机针	Needle DB×1 14#	3	
L-12	10004514	机头支柱	Head pole	1	
L-13	10011041	机头连接钩座	Head connecting hook socket	2	
L-14	10003889	机头连接钩座钉	Nail	4	
L-15	10004466	机头连接钩部件	Head connecting hook	2	
L-16	10009986	油盘支座	Oil reservoir seat	2	
L-17	10009993	机头油盘座垫	Oil reservoir cushion	2	
L-18	10010060	梭芯	Bobbin	3	简易款 Simple models
L-18	10025484	梭芯	Bobbin	3	四自动款 Four automatic models
L-19	10003892	油盘磁铁	Oil reservoir magnet	1	
L-20	10044639	SM1/8"×40螺钉	Screw SM1/8"×40	1	
L-21	10044638	排屑孔盖板簧	Spring	1	
L-22	10044637	排屑孔盖板	Clearance hole cover	1	

"\*" 具体内容需向客服咨询

"\*" Specific content need to consult customer service