

目 录

CONTENTS

零件样本 Parts Book

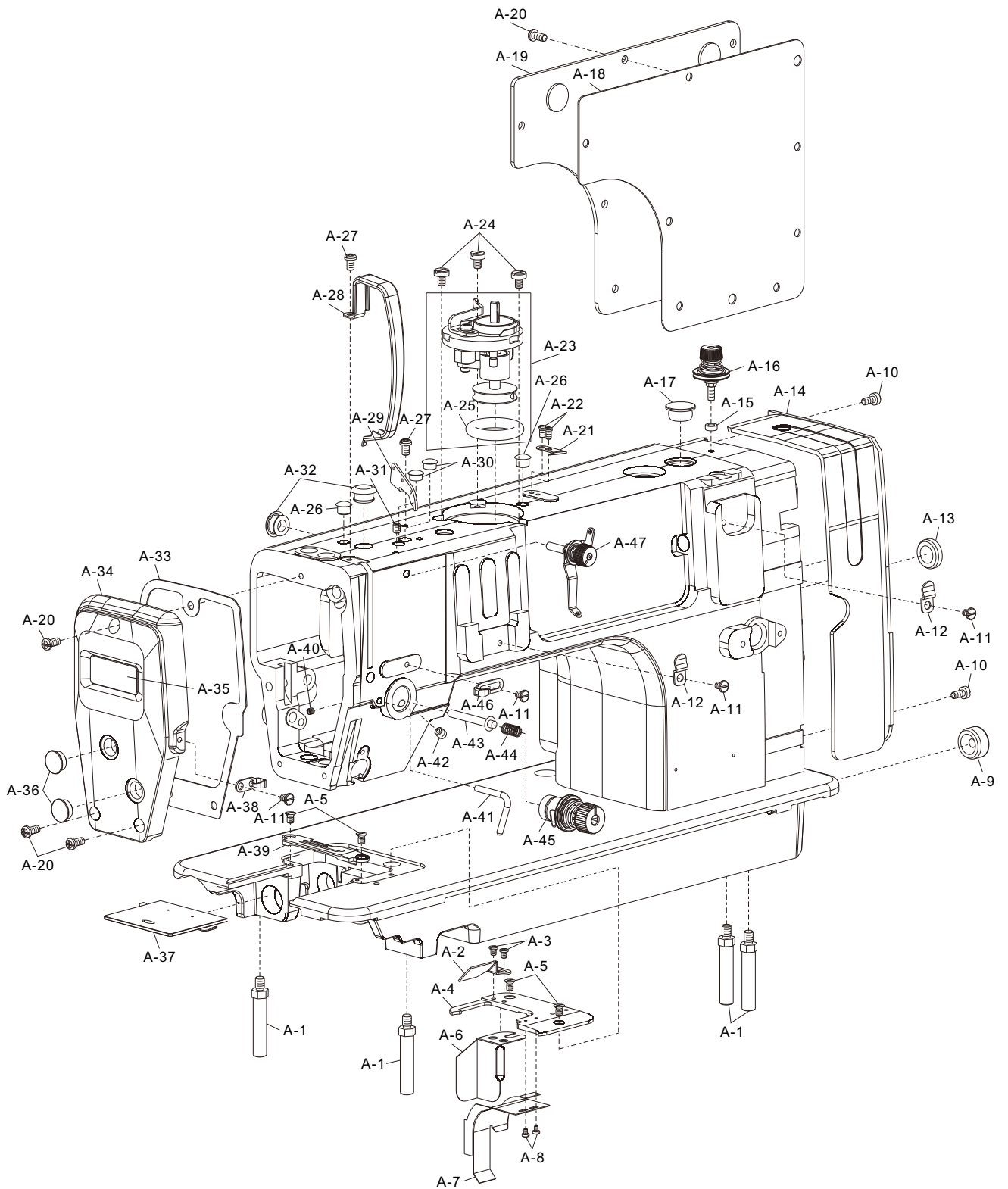
A	机壳分组件(简易款和四自动款) Machine Frame & Miscellaneous Cover Components(Simple models and Four automatic models)	37
A	机壳分组件(包边款) Machine Frame & Miscellaneous Cover Components(Hemming models)	39
B	上轴、挑线分组件(四自动款) Main Shaft & Thread Take-up Cover Components(Four automatic models)	41
B	上轴、挑线分组件(简易款和包边款) Main Shaft & Thread Take-up Cover Components(Simple models and Hemming models)	43
C	抬压脚分组件(四自动款) Hang Lifter & Tension Release Components(Four automatic models)	45
C	抬压脚分组件(简易款和包边款) Hang Lifter & Tension Release Components(Simple models and Hemming models)	47
D	勾线分组件 Hook Of Driving Shaft Components	49
E	送料分组件(简易款和包边款) Feed Mechanism Components(Simple models and Hemming models)	51
E	送料分组件(四自动款) Feed Mechanism Components(Four automatic models)	55
F	切刀控制分组件 Cutter Control Components	59
G	剪线分组件(四自动款) Thread trimmer Components (Four automatic models)	63
H	电控分组件(简易款和包边款) Drive-by-wire Components (Simple models and Hemming models)	65
H	电控分组件(四自动款) Drive-by-wire Components (Four automatic models)	67
I	润滑分组件 Lubrication Components	69
J	油盘、膝抬压脚分组件(包边款) Presser Foot Components Of Oil Plate Knee Lift (Hemming models)	71
J	油盘、膝抬压脚分组件(简易款和四自动款) Presser Foot Components Of Oil Plate Knee Lift (Simple models and Four automatic models)	73
K	过线架分组件 Components Of Thread-running Stand	75

L	附件(包边款)	77
	Auxiliaries (Hemming models)		
L	附件(简易款和四自动款)	79
	Auxiliaries (Simple models and Four automatic models)		

A

机壳分组件(简易款和四自动款)

Machine Frame & Miscellaneous Cover Components(Simple models and Four automatic models)



A

机壳分组件(简易款和四自动款)

Machine Frame & Miscellaneous Cover Components(Simple models and Four automatic models)

序号 Ref. No.	件号 Part No.	名称	Name of part	数量 QTY	备注 Remark
A-1	10002577	底板支柱	Bed screw stud	4	
A-2	10045827	布屑导板	Scraps guide plate	1	
A-3	10011020	SM9/64"×40螺钉	Screw SM9/64"×40	2	
A-4	10045826	排屑斗板	Clearance hole plate	1	
A-5	10011566	SM11/64"×40螺钉	Screw SM11/64"×40	4	
A-6	10067913	布屑下料挡板	Shelter scraps plate	1	
A-7	10067915	排屑斗	Clearance-hole	1	
A-8	10010744	SM3/32"×56螺钉	Screw SM3/32"×56	2	
A-9	10008941	橡胶塞	Rubber plug	1	
A-10	10002881	M4×8螺钉	Screw M4×8	2	
A-11	10008973	SM11/64"×40螺钉	Screw SM11/64"×40	4	
A-12	10062047	滑扣簧	Slide buckle	2	
A-13	10008975	橡胶塞	Rubber plug	1	
A-14	*	塑料标识板	Plastic plate	1	四自动款 Four automatic models
A-15	10062565	绕线夹线器垫圈	Washer	1	
A-16	10062049	绕线夹线器组件	Bobbin thread tension ASM	1	
A-17	10009576	橡胶塞	Rubber plug	1	
A-18	10066540	后窗板垫	Side plate gasket	1	
A-19	20025957	后窗板	Side plate	1	
A-20	10008972	SM3/16"×28螺钉	Screw SM3/16"×28	12	
A-21	10011149	绕线切刀	Thread cutter	1	
A-22	10050423	SM9/64"×40螺钉	Screw SM9/64"×40	2	
A-23	10031086	绕线器	Bobbin wider ASM.	1	
A-24	10004380	SM3/16"×32螺钉	Screw SM3/16"×32	3	
A-25	10008773	橡胶轮	Rubber ring	1	
A-26	10008943	橡胶塞	Rubber ring	2	
A-27	10008934	SM3/16"×28螺钉	Screw SM3/16"×28	2	
A-28	20027103	挑线杆护罩	Thread take-up lever cover	1	
A-29	10052992	过线板	Thread tension guide	1	
A-30	10050435	橡胶塞	Rubber ring	2	
A-31	10041529	SM3/16"×28螺钉	Screw SM3/16"×28	1	
A-32	10008942	橡胶塞	Rubber ring	2	
A-33	10066759	面板垫	Face plate gasket	1	
A-34	20025552	面板	Face plate	1	
A-35	*	面板装饰牌	Decorative board	1	
A-36	10008977	橡胶塞	Rubber ring	2	
A-37	10013706	推板部件	Push plate ASM.	1	
A-38	10008937	左线钩	Arm thread guide left	1	
A-39	10045639	针板组件1/8	Needle plate 1/8	1	
A-40	10009074	M4螺钉	Screw M4	1	
A-41	10039823	缓线钩	Presser bar thread guide	1	
A-42	10006264	SM15/64"×28螺钉	Screw SM15/64"×28	1	
A-43	10062374	松线辅钉	Tension release supporting pin	1	
A-44	10010642	弹簧	Spring	1	
A-45	10062050	夹线器部件	Thread take-up device	1	
A-46	10008940	右线钩	Arm thread guide right	1	
A-47	10062051	上夹线器部件	Top thread tension ASM	1	四自动款 Four automatic models

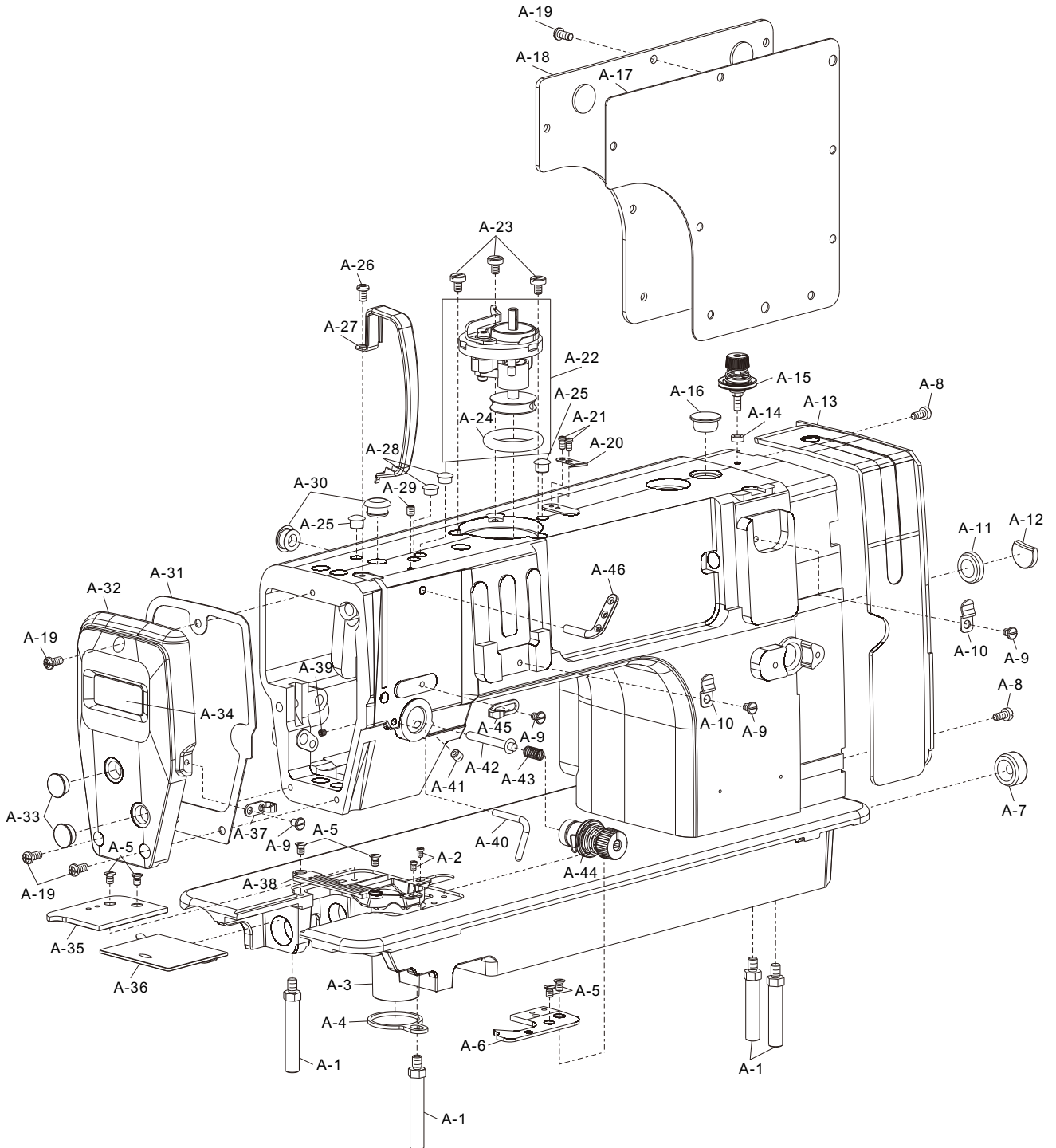
“*” 具体内容需向客服咨询

“*” Specific content need to consult customer service

A

机壳分组件(包边款)

Machine Frame & Miscellaneous Cover Components(Hemming models)



A

机壳分组件(包边款)

Machine Frame & Miscellaneous Cover Components(Hemming models)

序号 Ref. No.	件号 Part No.	名称	Name of part	数量 QTY	备注 Remark
A-1	10002577	底板支柱	Bed screw stud	4	
A-2	10013763	SM1/8"×44螺钉	Screw SM1/8"×44	2	
A-3	10054999	排料斗	Clearance-hole	1	
A-4	10054997	排料斗固定板	Plate of Clearance-hole	1	
A-5	10011566	SM11/64"×40螺钉	Screw SM11/64"×40	6	
A-6	10054996	针板挡板1	Baffle of Needle plate	1	
A-7	10008941	橡胶塞	Rubber plug	1	
A-8	10002881	M4×8螺钉	Screw M4×8	2	
A-9	10008973	SM11/64"×40螺钉	Screw SM11/64"×40	4	
A-10	10062047	滑扣簧	Slide buckle	2	
A-11	10008975	橡胶塞	Rubber plug	1	
A-12	10053849	橡胶塞	Rubber plug	1	
A-13	*	塑料标识板	Plastic plate	1	简易款和包边款 Simple models and Hemming models
A-14	10062565	绕线夹线器垫圈	Washer	1	
A-15	10062049	绕线夹线器组件	Bobbin thread tension ASM	1	
A-16	10009576	橡胶塞	Rubber plug	1	
A-17	10066540	后窗板垫	Side plate gasket	1	
A-18	20025957	后窗板	Side plate	1	
A-19	10008972	SM3/16"×28螺钉	Screw SM3/16"×28	12	
A-20	10011149	绕线切刀	Thread cutter	1	
A-21	10050423	SM9/64"×40螺钉	Screw SM9/64"×40	2	
A-22	10031086	绕线器	Bobbin wider ASM.	1	
A-23	10004380	SM3/16"×32螺钉	Screw SM3/16"×32	3	
A-24	10008773	橡胶轮	Rubber ring	1	
A-25	10008943	橡胶塞	Rubber ring	2	
A-26	10008934	SM3/16"×28螺钉	Screw SM3/16"×28	1	
A-27	20027103	挑线杆护罩	Thread take-up lever cover	1	
A-28	10050435	橡胶塞	Rubber ring	2	
A-29	10041529	SM3/16"×28螺钉	Screw SM3/16"×28	1	
A-30	10008942	橡胶塞	Rubber ring	2	
A-31	10066759	面板垫	Face plate gasket	1	
A-32	20025552	面板	Face plate	1	
A-33	10008977	橡胶塞	Rubber ring	2	
A-34	*	面板装饰牌	Decorative board	1	
A-35	10045877	针板挡板2	Baffle of Needle plate	1	
A-36	10013706	推板部件	Push plate ASM.	1	
A-37	10008937	左线钩	Arm thread guide left	1	
A-38	10053014	3/16针板组件	Needle plate 3/16	1	
A-39	10009074	M4螺钉	Screw M4	1	
A-40	10039823	缓线钩	Presser bar thread guide	1	
A-41	10006264	SM15/64"×28螺钉	Screw SM15/64"×28	1	
A-42	10062374	松线辅钉	Tension release supporting pin	1	
A-43	10010642	弹簧	Spring	1	
A-44	10062050	夹线器部件	Thread take-up device	1	
A-45	10008940	右线钩	Arm thread guide right	1	
A-46	10010640	三眼线钩	Three-hole thread guide	1	简易款和包边款 Simple models and Hemming models

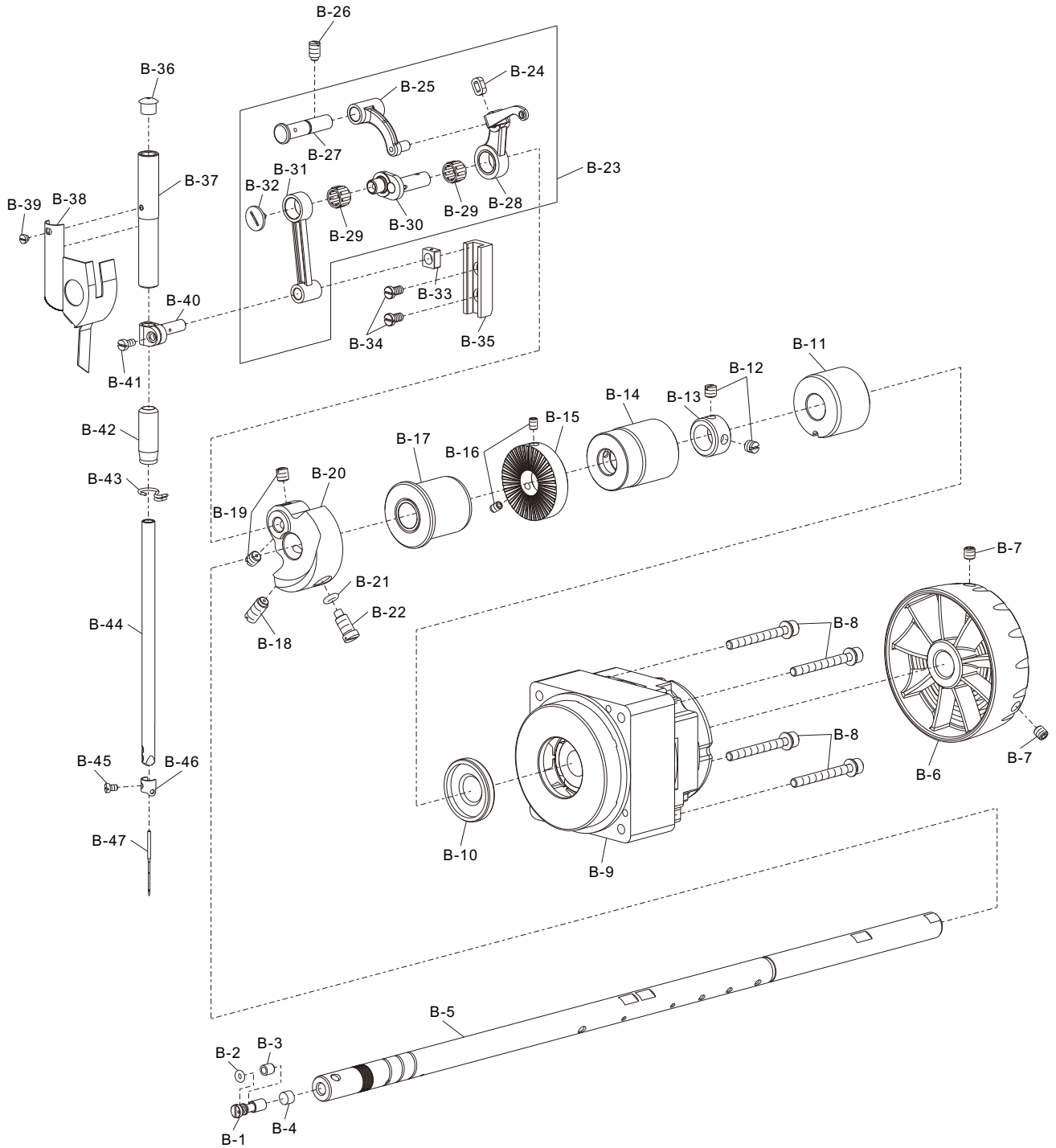
“*” 具体内容需向客服咨询

“*” Specific content need to consult customer service

B

上轴、挑线分组件(四自动款)

Main Shaft & Thread Take-up Cover Components(Four automatic models)



B

上轴、挑线分组件(四自动款)

Main Shaft & Thread Take-up Cover Components(Four automatic models)

序号 Ref. No.	件号 Part No.	名称	Name of part	数量 QTY	备注 Remark
B-1	10010504	油量调节销	Adjusting pin	1	
B-2	10010538	6.46×1.78 O形圈	O-ring 6.46×1.78	1	
B-3	10010540	油量调节销套	Sleeve of adjusting pin	1	
B-4	10010541	毛毡	Roler felt	1	
B-5	10066757	上轴	Main shaft	1	
B-6	20023713	上轮	Head wheel	1	
B-7	10011232	M6×6螺钉	Screw M6×6	2	
B-8	10059025	M5×35螺钉组件	Screw M5 ASM.	4	
B-9	10072810	分体电机组件	Motor ASM.	1	
B-10	10058049	油封	Oil seal	1	
B-11	10066834	上轴后轴套	Shaft sleeve	1	
B-12	10005020	SM1/4"×40螺钉	Screw SM1/4"×40	2	
B-13	10010542	挡圈	Thrust collar	1	
B-14	10007239	上轴中轴套	Shaft sleeve	1	
B-15	10070526	绕线主动轮	Driving wheel	1	
B-16	10012062	SM11/64"×40螺钉	Screw SM11/64"×40	2	
B-17	10044580	上轴前轴套	Shaft sleeve	1	
B-18	10010082	SM9/32"×28螺钉	Screw SM9/32"×28	1	
B-19	10010065	SM1/4"×40螺钉	Screw SM1/4"×40	2	
B-20	10054695	针杆曲柄	Crank	1	
B-21	10010534	9.2×2.4 O形圈	O-ring 9.2×2.4	1	
B-22	10010545	针杆曲柄定位螺钉	Screw	1	
B-23	20019987	挑线杆组件	Thread take-up lever ASM.	1	
B-24	10010539	挑线杆防油圈	Oil resistant cover	1	
B-25	10010535	挑线连杆	Connecting rod	1	
B-26	10010083	SM15/64"×28螺钉	Screw SM15/64"×28	1	
B-27	20019236	挑线连杆销组件	Pin ASM.	1	
B-28	10004158	挑线杆	Thread take-up lever	1	
B-29	10014107	K8×12×7.8滚针轴承	Needle bearing K8×12×7.8	2	
B-30	10004144	挑线曲柄部件	Crank ASM.	1	
B-31	10053104	针杆连杆	Connecting rod	1	
B-32	10010537	挑线曲柄左旋螺钉	Screw	1	
B-33	10053559	针杆连接柱滑块	Sliding block	1	
B-34	10043360	滑块导轨螺钉	Screw	2	
B-35	10053558	滑块导轨	Slide guide	1	
B-36	10010587	橡胶塞	Rubber plug	1	
B-37	10011063	针杆上轴套	Shaft sleeve	1	
B-38	10066760	面部防油板部件	ARM oil shield ASM.	1	
B-39	10005558	SM1/8"×44螺钉	Screw SM1/8"×44	1	
B-40	10052735	针杆连接柱	Joint pin	1	
B-41	10043356	SM9/64"×40螺钉	Screw SM9/64"×40	1	
B-42	10014117	针杆下轴套	Shaft sleeve	1	
B-43	10005943	针杆下套线钩	Thread guide	1	
B-44	10045046	针杆	Needle bar	1	
B-45	10010588	SM1/8"×44螺钉	Screw SM1/8"×44	1	
B-46	10045047	针杆过线环	Thread guide	1	
B-47	*	DB×1 14#机针	Needle DB×1 14#	1	

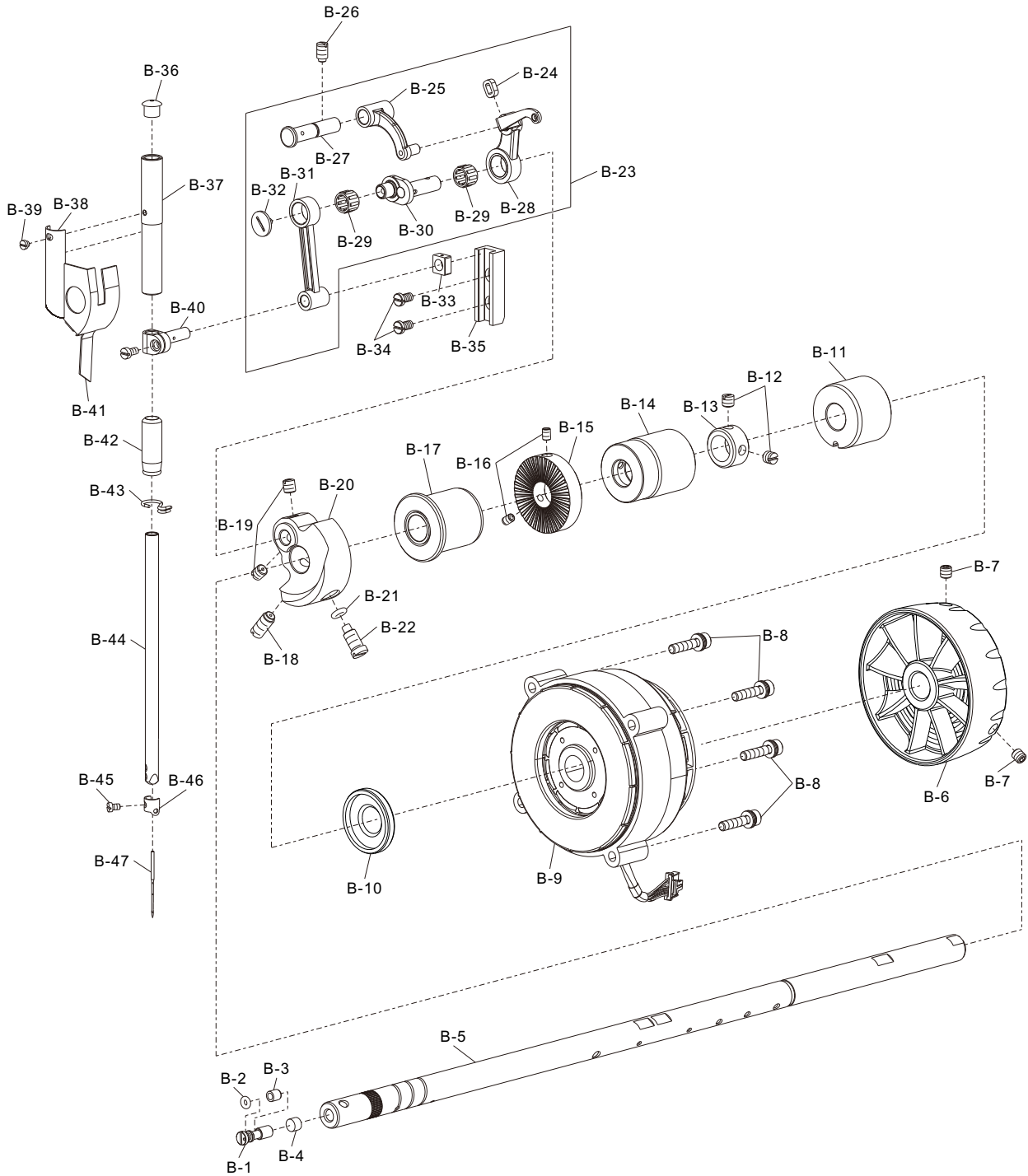
“*” 具体内容需向客服咨询

“*” Specific content need to consult customer service

B

上轴、挑线分组件(简易款和包边款)

Main Shaft & Thread Take-up Cover Components(Simple models and Hemming models)



B

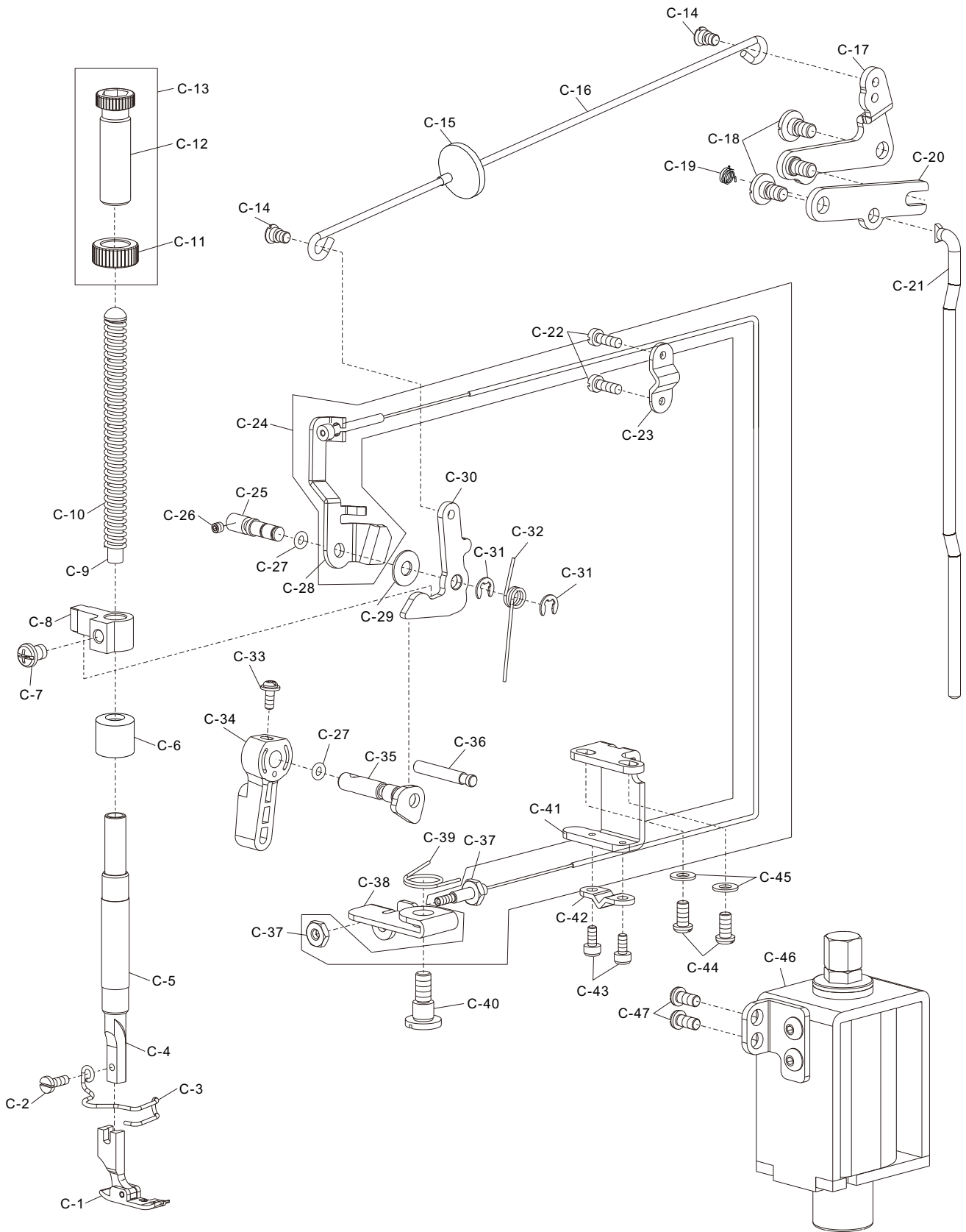
上轴、挑线分组件(简易款和包边款)

Main Shaft & Thread Take-up Cover Components(Simple models and Hemming models)

序号 Ref. No.	件号 Part No.	名称	Name of part	数量 QTY	备注 Remark
B-1	10010504	油量调节销	Adjusting pin	1	
B-2	10010538	6.46×1.78 O形圈	O-ring 6.46×1.78	1	
B-3	10010540	油量调节销套	Sleeve of adjusting pin	1	
B-4	10010541	毛毡	Roler felt	1	
B-5	10068031	上轴	Main shaft	1	
B-6	20023713	上轮	Head wheel	1	
B-7	10011232	M6×6螺钉	Screw M6×6	2	
B-8	10043242	M5×35螺钉组件	Screw M5 ASM.	4	
B-9	10061920	分体电机组件	Motor ASM.	1	
B-10	10058049	油封	Oil seal	1	
B-11	10048486	上轴后轴套	Shaft sleeve	1	
B-12	10005020	SM1/4"×40螺钉	Screw SM1/4"×40	2	
B-13	10010542	挡圈	Thrust collar	1	
B-14	10007239	上轴中轴套	Shaft sleeve	1	
B-15	10070526	绕线主动轮	Driving wheel	1	
B-16	10012062	SM11/64"×40螺钉	Screw SM11/64"×40	2	
B-17	10044580	上轴前轴套	Shaft sleeve	1	
B-18	10010082	SM9/32"×28螺钉	Screw SM9/32"×28	1	
B-19	10010065	SM1/4"×40螺钉	Screw SM1/4"×40	2	
B-20	10054695	针杆曲柄	Crank	1	
B-21	10010534	9.2×2.4 O形圈	O-ring 9.2×2.4	1	
B-22	10010545	针杆曲柄定位螺钉	Screw	1	
B-23	20019987	挑线杆组件	Thread take-up lever ASM.	1	
B-24	10010539	挑线杆防油圈	Oil resistant cover	1	
B-25	10010535	挑线连杆	Connecting rod	1	
B-26	10010083	SM15/64"×28螺钉	Screw SM15/64"×28	1	
B-27	20019236	挑线连杆销组件	Pin ASM.	1	
B-28	10004158	挑线杆	Thread take-up lever	1	
B-29	10014107	K8×12×7.8滚针轴承	Needle bearing K8×12×7.8	2	
B-30	10004144	挑线曲柄部件	Crank ASM.	1	
B-31	10053104	针杆连杆	Connecting rod	1	
B-32	10010537	挑线曲柄左旋螺钉	Screw	1	
B-33	10053559	针杆连接柱滑块	Sliding block	1	
B-34	10043360	滑块导轨螺钉	Screw	2	
B-35	10053558	滑块导轨	Slide guide	1	
B-36	10010587	橡胶塞	Rubber plug	1	
B-37	10011063	针杆上轴套	Shaft sleeve	1	
B-38	10066760	面部防油板部件	ARM oil shield ASM.	1	
B-39	10005558	SM1/8"×44螺钉	Screw SM1/8"×44	1	
B-40	10052735	针杆连接柱	Joint pin	1	
B-41	10043356	SM9/64"×40螺钉	Screw SM9/64"×40	1	
B-42	10014117	针杆下轴套	Shaft sleeve	1	
B-43	10005943	针杆下套线钩	Thread guide	1	
B-44	10045046	针杆	Needle bar	1	
B-45	10010588	SM1/8"×44螺钉	Screw SM1/8"×44	1	
B-46	10045047	针杆过线环	Thread guide	1	
B-47	*	DB×1 14#机针	Needle DB×1 14#	1	

“*” 具体内容需向客服咨询

“*” Specific content need to consult customer service





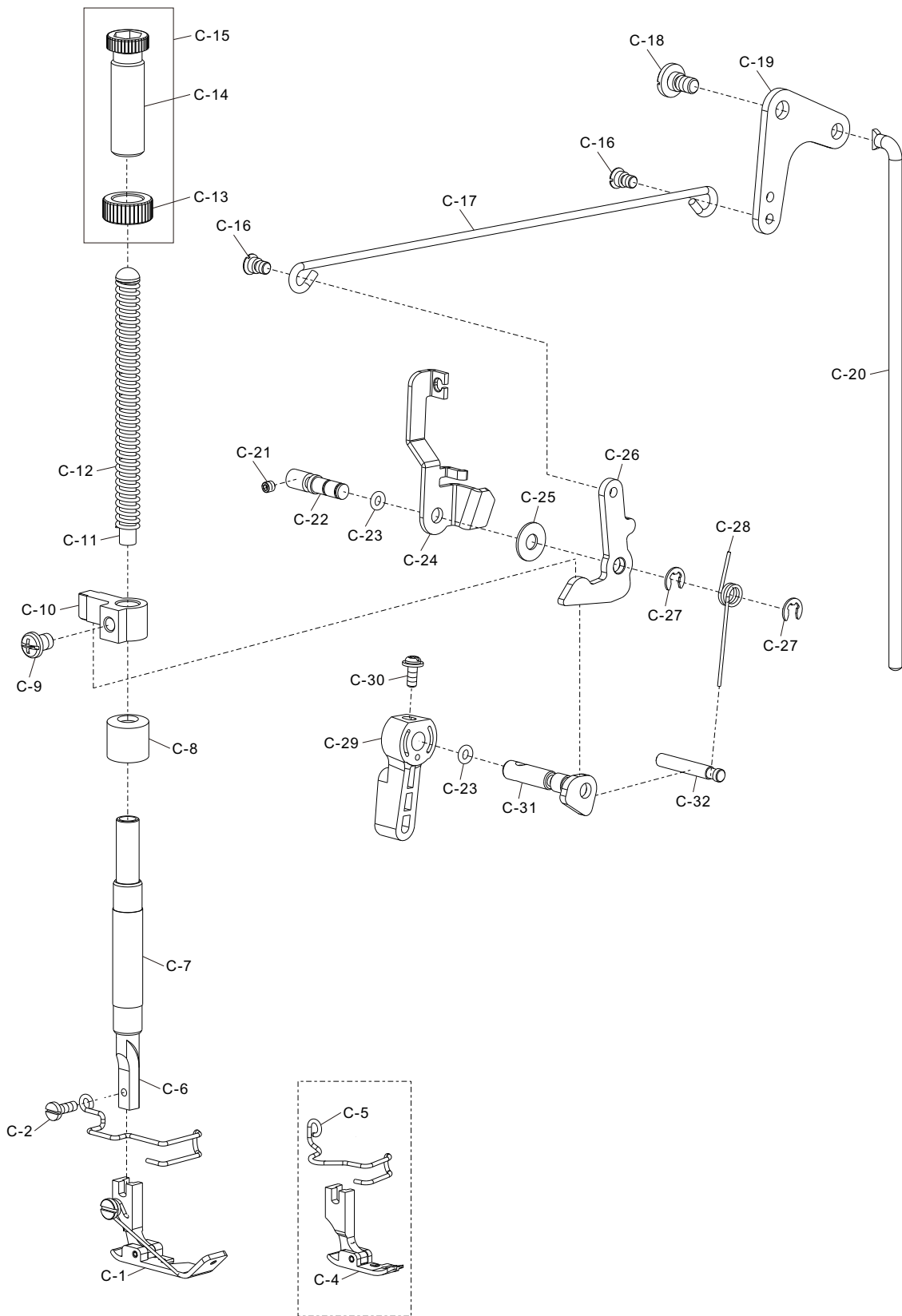
抬压脚分组件（四自动款）

Hang Lifter & Tension Release Components(Four automatic models)

序号 Ref. No.	件号 Part No.	名称	Name of part	数量 QTY	备注 Remark
C-1	10044596	压脚组件	Presser foot ASM.	1	
C-2	10044148	SM9/64"×40螺钉	Screw SM9/64"×40	1	
C-3	10045062	护指架	Finger frame	1	
C-4	10069587	压杆	Presser bar	1	
C-5	10014118	压杆轴套	Shaft sleeve	1	
C-6	10066598	压紧杆防油罩	Oil protector cover	1	
C-7	10040504	M6×8螺钉	Screw M6×8	1	
C-8	10039365	压杆导架	Presser guide bar bracket	1	
C-9	10004439	调压导杆	Presser guide bar	1	
C-10	10004473	调压弹簧	Spring	1	
C-11	10062022	调压螺母	Nut	1	
C-12	10062021	调压螺钉	Screw	1	
C-13	10062052	调压螺钉组件	Screw ASM.	1	
C-14	10010651	SM3/16"×32螺钉	Screw SM3/16"×32	2	
C-15	10053351	隔油罩	Oil shield	1	
C-16	10061689	抬压脚拉杆	Lifting lever connecting rod	1	
C-17	10057556	抬压脚后杠杆组件	Lifting lever link components ASM.	1	
C-18	10010652	后杠杆轴位螺钉	Screw	2	
C-19	10009205	弹簧	Spring	1	
C-20	10057557	抬压脚连接板	Lifting lever connecting plate	1	
C-21	10057559	抬压脚顶杆	Connecting rod vertical	1	
C-22	10009037	M4×12螺钉	Screw M4×12	2	
C-23	10039378	钢丝绳压板	Platen	1	
C-24	10039380	抬压脚拉线组件	Foot lifter pull thread components ASM.	1	
C-25	10039373	松线顶板销	Pin	1	
C-26	10009074	M4×4螺钉	Screw M4×4	1	
C-27	10010027	3.68×1.78 O形圈	O-ring 3.68×1.78	2	
C-28	10039372	松线顶板	Tension release plate	1	
C-29	10073060	平垫圈	Snap ring	1	
C-30	10050188	压脚升降板	Lifting lever	1	
C-31	10013038	5×0.8挡圈	Closing ring 5×0.8	2	
C-32	10052046	压脚升降板复位簧	Spring	1	
C-33	10010016	SM9/64"×40螺钉	Screw SM9/64"×40	1	
C-34	10062023	压脚扳手	Hand lifter	1	
C-35	10050190	压脚扳手凸轮部件	Hand lifter CAM ASM.	1	
C-36	10039374	限位销	Pin	1	
C-37	10005834	SM3/16"×32螺母	Nut SM3/16"×32	2	
C-38	10008860	松线座	Loosing plate	1	
C-39	10008834	松线复位簧	Spring	1	
C-40	10012467	松线座螺钉	Screw	1	
C-41	10008811	松线钢绳座	Loosing line plate	1	
C-42	10013615	挡线板	Fixing shutter	1	
C-43	10006624	SM9/64"×40螺钉	Screw SM9/64"×40	2	
C-44	10008972	SM3/16"×28螺钉	Screw SM3/16"×28	2	
C-45	10011653	5.2×10.5×1垫圈	Washer 5.2×10.5×1	2	
C-46	10068482	抬压电磁铁	Electromagnes	1	
C-47	10000134	M5×10螺钉	Screw M5×10	4	

“*” 具体内容需向客服咨询

“*” Specific content need to consult customer service





抬压脚分组件（简易款和包边款）

Hang Lifter & Tension Release Components(Simple models and Hemming models)

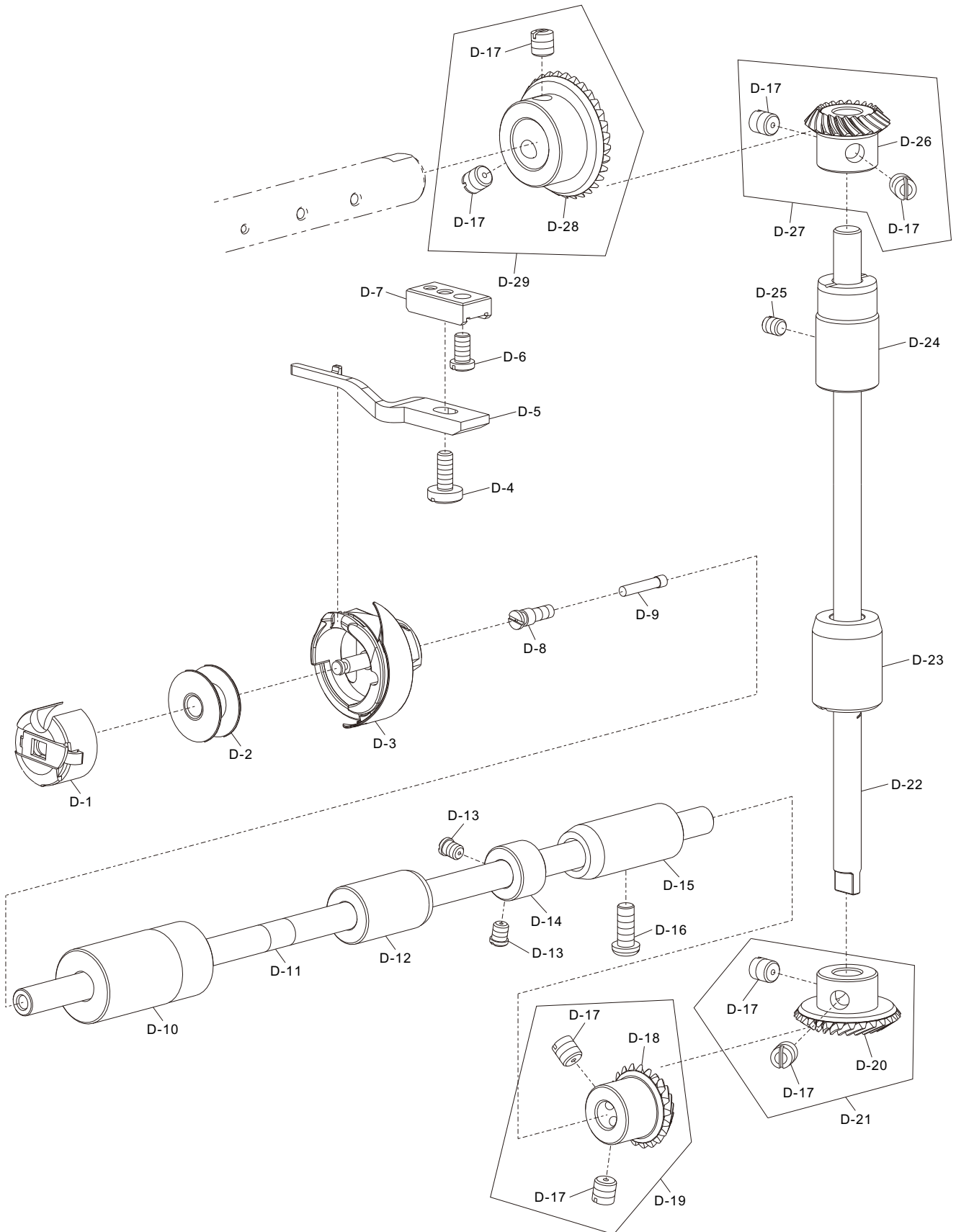
序号 Ref. No.	件号 Part No.	名称	Name of part	数量 QTY	备注 Remark
C-1	10059790	压脚组件	Presser foot ASM.	1	包边款 Hemming models
C-2	10044148	SM9/64"×40螺钉	Screw SM9/64"×40	1	
C-3	10045889	护指架	Finger frame	1	包边款 Hemming models
C-4	10044596	压脚组件	Presser foot ASM.	1	简易款 Simple models
C-5	10045062	护指架	Finger frame	1	简易款 Simple models
C-6	10069587	压杆	Presser bar	1	
C-7	10014118	压杆轴套	Shaft sleeve	1	
C-8	10066598	压紧杆防油罩	Oil protector cover	1	
C-9	10040504	M6×8螺钉	Screw M6×8	1	
C-10	10039365	压杆导架	Presser guide bar bracket	1	
C-11	10004439	调压导杆	Presser guide bar	1	
C-12	10004473	调压弹簧	Spring	1	
C-13	10062022	调压螺母	Nut	1	
C-14	10062021	调压螺钉	Screw	1	
C-15	10062052	调压螺钉组件	Screw ASM.	1	
C-16	10010651	SM3/16"×32螺钉	Screw SM3/16"×32	2	
C-17	10050189	抬压脚拉杆	Lifting lever connecting rod	1	
C-18	10010652	后杠杆轴位螺钉	Screw	1	
C-19	10053738	抬压脚后杠杆	Lifting lever link components	1	
C-20	10067486	抬压脚顶杆	Connecting rod vertical	1	
C-21	10009074	M4×4螺钉	Screw M4×4	1	
C-22	10039373	松线顶板销	Pin	1	
C-23	10010027	3.68×1.78 O形圈	O-ring 3.68×1.78	2	
C-24	10039372	松线顶板	Tension release plate	1	
C-25	10073060	平垫圈	Snap ring	1	
C-26	10050188	压脚升降板	Lifting lever	1	
C-27	10013038	5×0.8挡圈	Closing ring 5×0.8	2	
C-28	10052046	压脚升降板复位簧	Spring	1	
C-29	10062023	压脚扳手	Hand lifter	1	
C-30	10010016	SM9/64"×40螺钉	Screw SM9/64"×40	1	
C-31	10050190	压脚扳手凸轮部件	Hand lifter CAM ASM.	1	
C-32	10039374	限位销	Pin	1	

“*” 具体内容需向客服咨询

“*” Specific content need to consult customer service

D

勾线分组件 Hook Of Driving Shaft Components

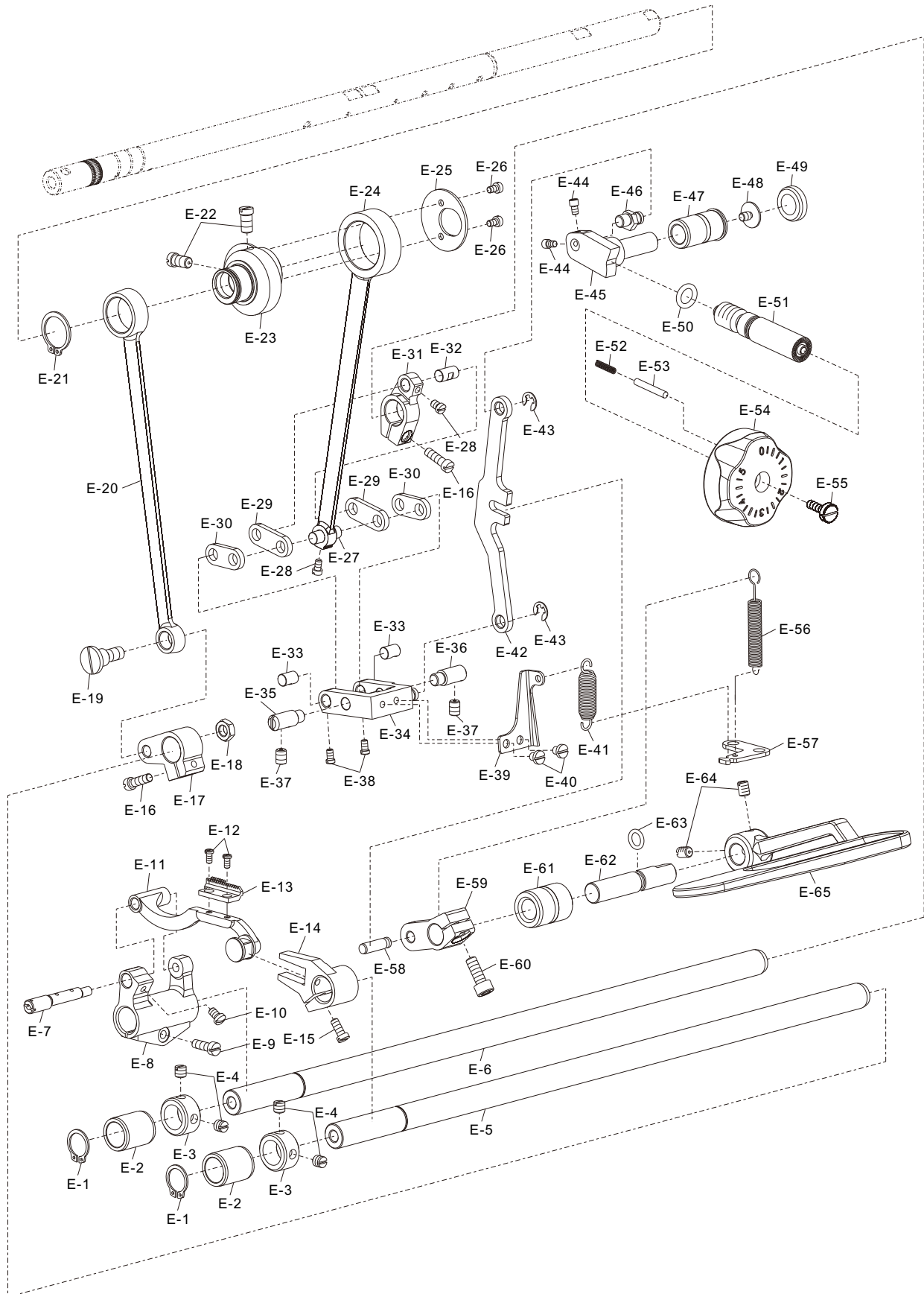


D

勾线分组件 Hook Of Driving Shaft Components

序号 Ref. No.	件号 Part No.	名称	Name of part	数量 QTY	备注 Remark
D-1	*	梭壳	Bobbin case	1	
D-2	10010060	梭芯	Bobbin	1	简易款和包边款 Simple models and Hemming models
D-2	10025484	梭芯	Bobbin	1	四自动款 Four automatic models
D-3	*	旋梭	Hook	1	
D-4	10011101	SM11/64"×40螺钉	Screw SM11/64"×40	1	
D-5	10031260	旋梭定位钩	Positioning finger	1	
D-6	10043360	SM11/64"×40螺钉	Screw SM11/64"×40	1	
D-7	10050664	定刀安装架	Mounting rack	1	简易款和包边款 Simple models and Hemming models
D-7	10045823	定刀安装架	Mounting rack	1	四自动款 Four automatic models
D-8	10010064	下轴限油螺钉	Screw	1	
D-9	10010063	油芯	Oil wick	1	
D-10	10070527	下轴前轴套	Shaft sleeve	1	
D-11	10008821	下轴	Hook driving shaft	1	
D-12	10008857	下轴中轴套	Shaft sleeve	1	
D-13	10010059	SM11/64"×40螺钉	Screw SM11/64"×40	2	
D-14	10010058	挡圈	Thrust collar	1	
D-15	10007266	下轴后轴套	Shaft sleeve	1	
D-16	10010030	SM3/16"×28螺钉	Screw SM3/16"×28	1	
D-17	10010065	SM1/4"×40螺钉	Screw SM1/4"×40	8	
D-18	10003937	下轴伞齿轮	Gear	1	
D-19	10002560	下轴伞齿轮组件	Gear ASM.	1	
D-20	10010029	竖轴下伞齿轮	Gear	1	
D-21	10002509	竖轴下伞齿轮组件	Gear ASM.	1	
D-22	10010057	竖轴	Upright shaft	1	
D-23	10074609	竖轴下轴套	Shaft sleeve	1	
D-24	10007267	竖轴上轴套	Shaft sleeve	1	
D-25	10041529	SM3/16"×28螺钉	Screw SM3/16"×28	1	
D-26	10010062	竖轴上伞齿轮	Gear	1	
D-27	10002561	竖轴上伞齿轮组件	Gear ASM.	1	
D-28	10010056	上轴伞齿轮	Gear	1	
D-29	10002445	上轴伞齿轮组件	Gear ASM.	1	

“*” 具体内容需向客服咨询
“*” Specific content need to consult customer service





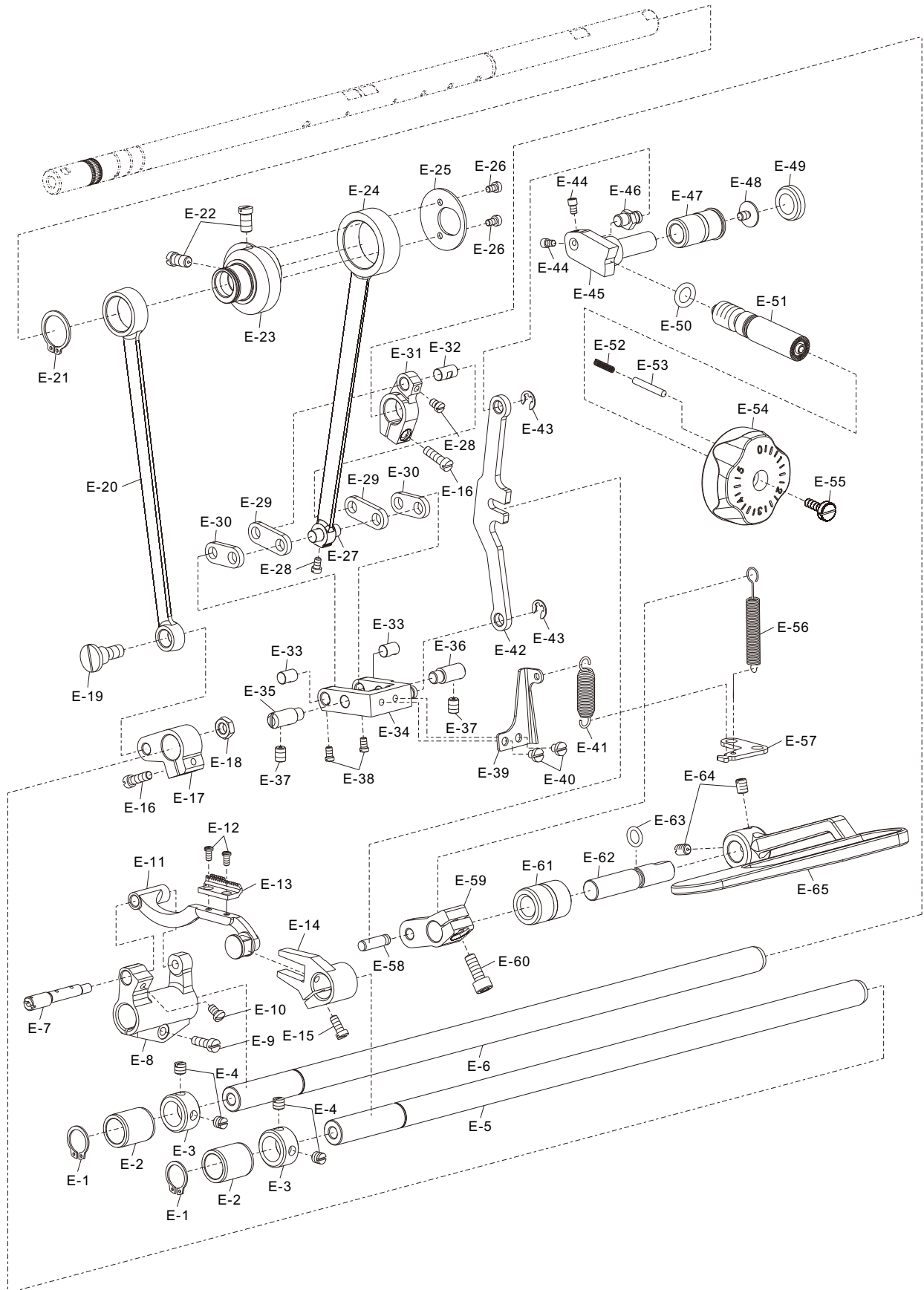
送料分组件(简易款和包边款)

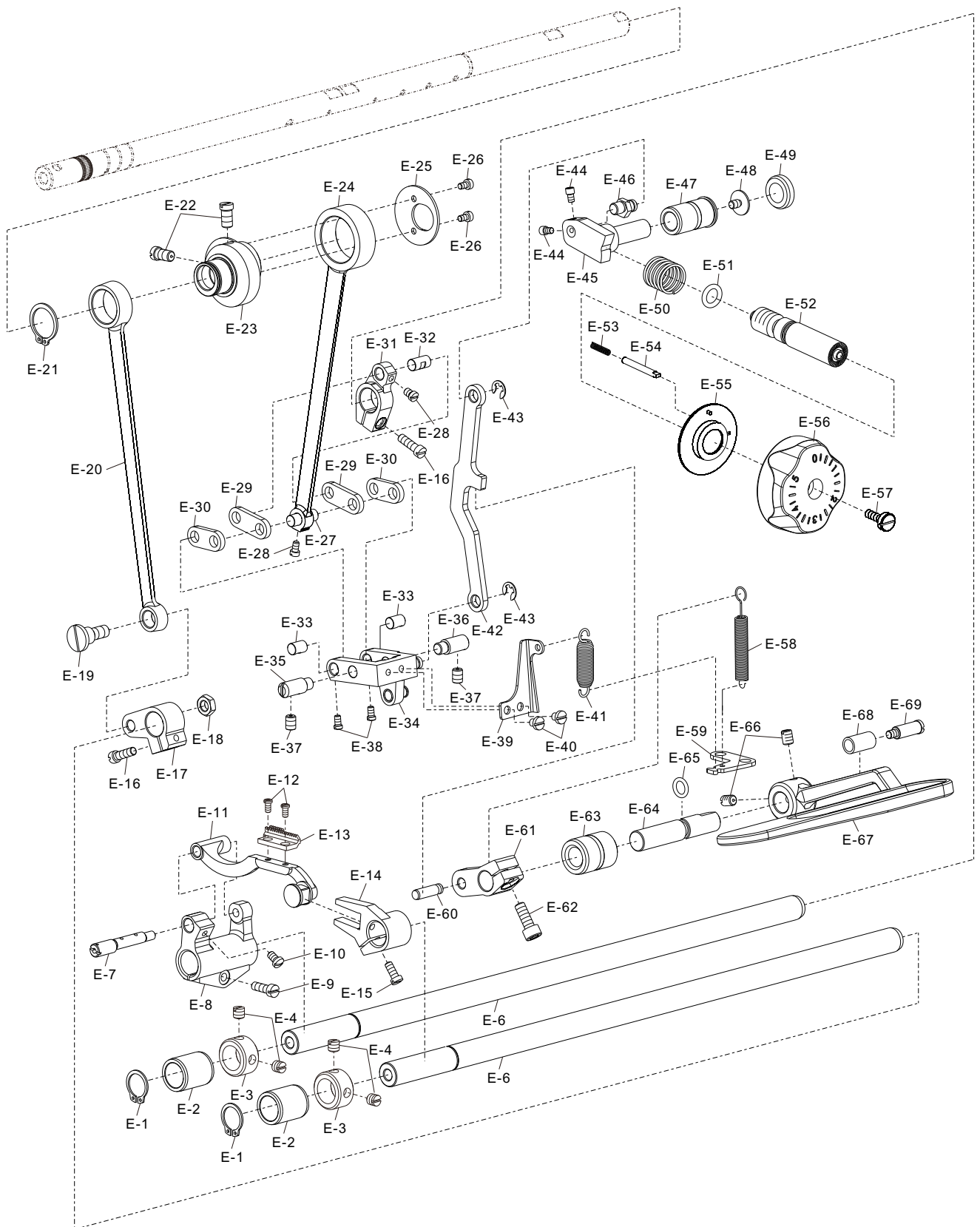
Feed Mechanism Components(Simple models and Hemming models)

序号 Ref. No.	件号 Part No.	名称	Name of part	数量 QTY	备注 Remark
E-1	10010090	13.8×1挡圈	Closing ring 13.8×1	2	
E-2	10014116	送料拾牙轴轴套	Shaft sleeve	2	
E-3	10010542	挡圈	Thrust collar	2	
E-4	10038073	SM1/4"×40螺钉	Screw SM1/4"×40	4	
E-5	10010097	拾牙轴	Feed driving shaft	1	
E-6	10010073	送料轴	Feed rocker shaft	1	
E-7	10004440	牙架座偏心销	Pin	1	
E-8	10004474	牙架座	Feed bar driving crank	1	
E-9	10004993	SM3/16"×28螺钉	Screw SM3/16"×28	1	
E-10	10010074	SM11/64"×40螺钉	Screw SM11/64"×40	1	
E-11	10067264	牙架部件	Feed bar ASM.	1	
E-12	10010099	SM1/8"×44螺钉	Screw SM1/8"×44	2	
E-13	10044601	送料牙1/8	Feed dog 1/8	1	简易款 Simple models
E-13	10053013	送料牙3/16	Feed dog 3/16	1	包边款 Hemming models
E-14	10010100	拾牙叉形曲柄	Crank	1	
E-15	10004628	SM11/64"×40螺钉	Screw SM11/64"×40	1	
E-16	10010095	SM3/16"×28螺钉	Screw SM3/16"×28	2	
E-17	10010086	拾牙后曲柄	Crank	1	
E-18	10004475	SM9/32"×28螺母	Nut SM9/32"×28	1	
E-19	10010091	拾牙连杆轴位螺钉	Screw	1	
E-20	10010084	拾牙连杆	Connecting rod	1	
E-21	10010089	18.5×1.2挡圈	Closing ring 18.5×1.2	1	
E-22	10010092	SM1/4"×40螺钉	Screw SM1/4"×40	2	
E-23	10010115	送料偏心轮	Feed drive eccentric cam	1	
E-24	10010072	送料连杆	Connecting rod	1	
E-25	10010098	送料偏心轮盖板	Thrust cover	1	
E-26	10010643	SM9/64"×40螺钉	Screw SM9/64"×40	2	
E-27	10010069	送料连杆销	Pin	1	
E-28	10010071	SM9/64"×40螺钉	Screw SM9/64"×40	2	
E-29	10048696	送料长摆动板	Connecting plate	2	
E-30	10048736	送料短摆动板	Connecting plate	2	
E-31	10010076	送料曲柄	Crank	1	
E-32	10010096	送料曲柄销	Pin	1	
E-33	10010087	短摆动板连接销	Pin	2	
E-34	10010088	送料摆动板座部件	Feed adjusting ASM.	1	
E-35	10010102	送料摆动板座右销	Pin	1	
E-36	10058783	送料摆动板座右销	Pin	1	
E-37	10010678	SM15/64"×28螺钉	Screw SM15/64"×28	2	
E-38	10010197	SM9/64"×40螺钉	Screw SM9/64"×40	2	
E-39	10010282	摆动板复位板	Plate	1	
E-40	10010285	SM11/64"×40螺钉	Screw SM11/64"×40	2	
E-41	10010284	摆动板复位簧	Spring	1	
E-42	10064647	倒送料连杆	Feed adjust rod	1	
E-43	10010649	5.1×0.6挡圈	Closing ring 5.1×0.6	2	
E-44	10051742	SM9/64"×40螺钉	Screw SM9/64"×40	2	
E-45	10053433	送料调节器	Feed regulator	1	
E-46	10026886	偏心销	Pin	1	

** 具体内容需向客服咨询

** Specific content need to consult customer service







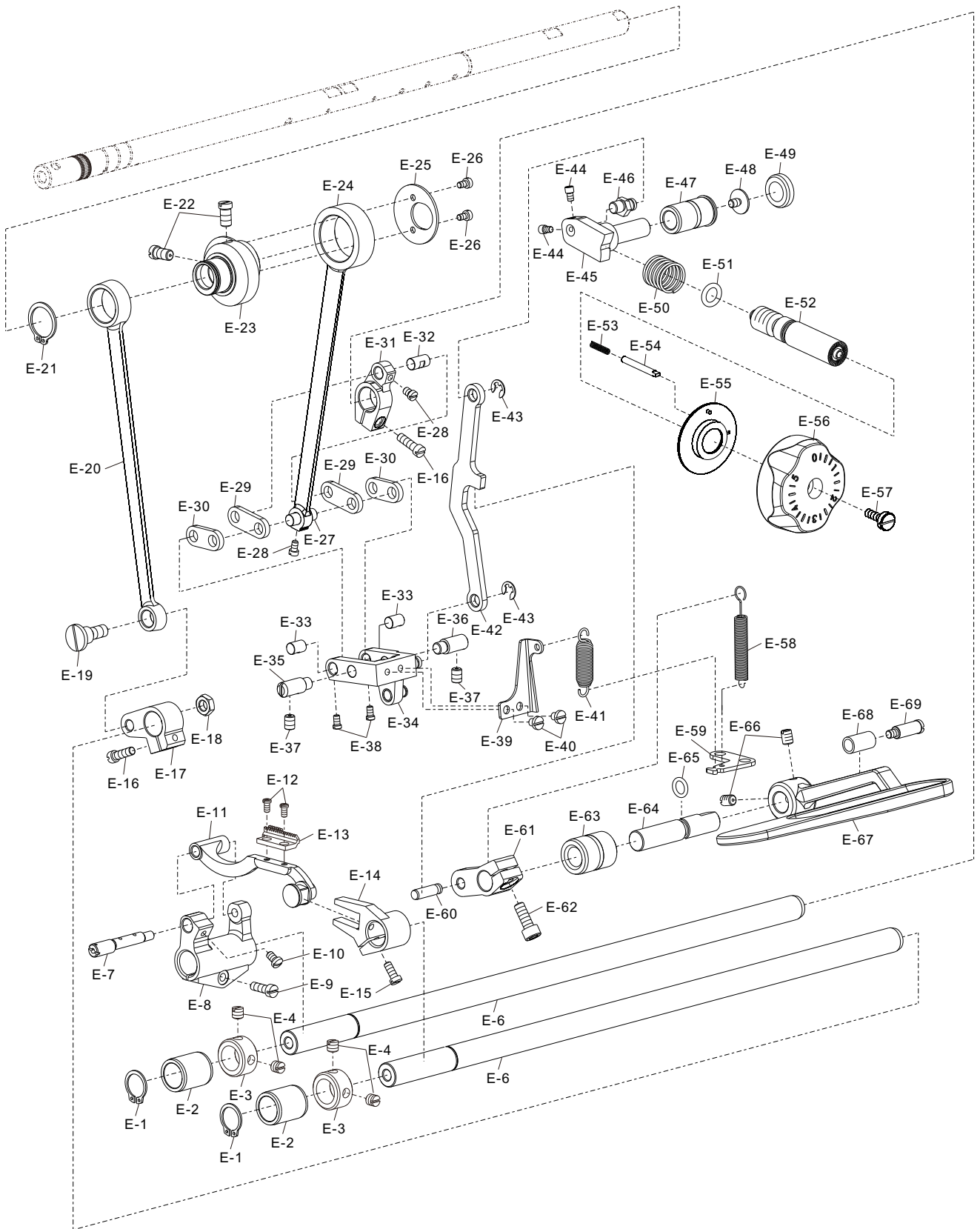
送料分组件(四自动款)

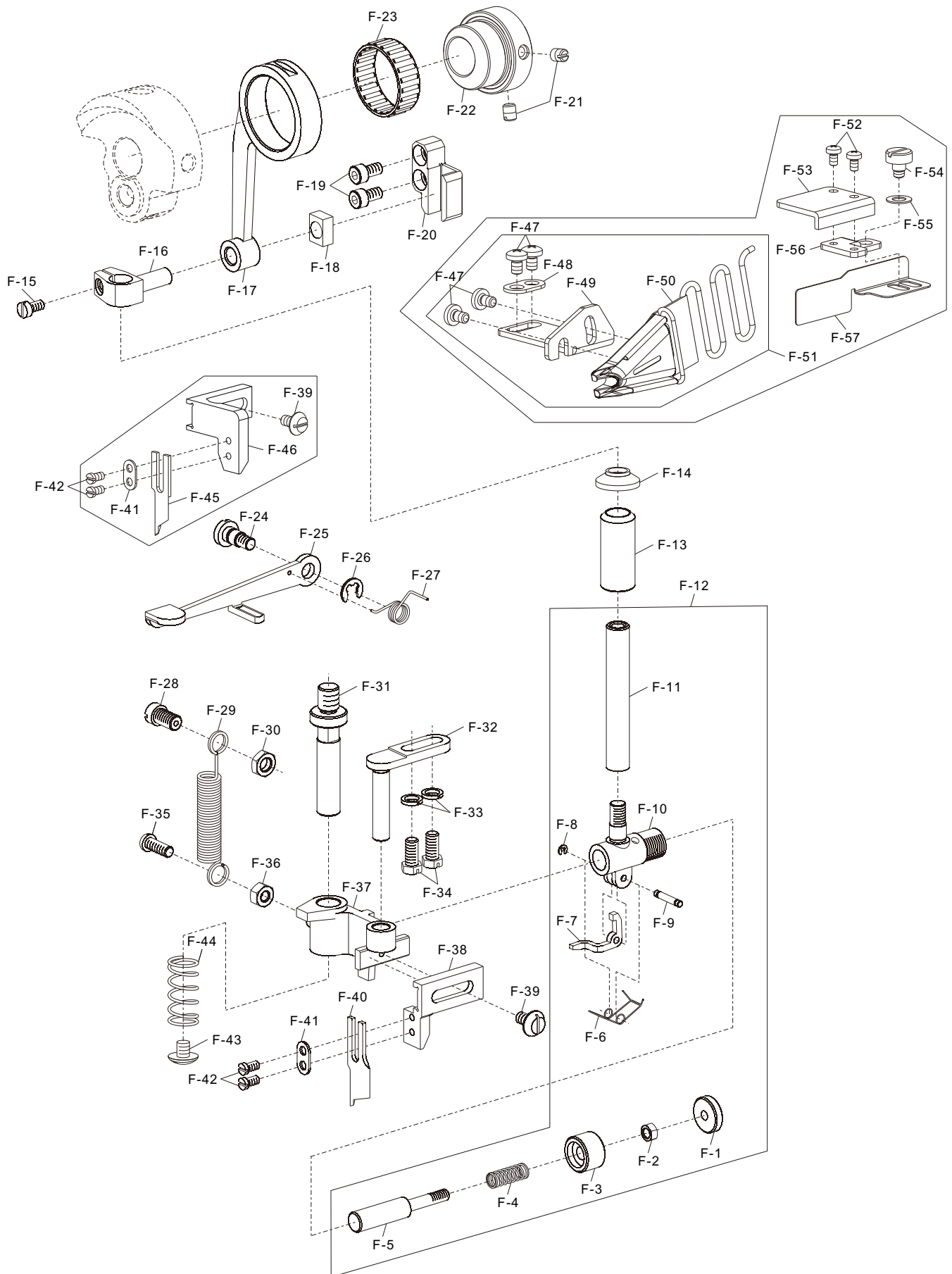
Feed Mechanism Components(Four automatic models)

序号 Ref. No.	件号 Part No.	名称	Name of part	数量 QTY	备注 Remark
E-1	10010090	13.8×1挡圈	Closing ring 13.8×1	2	
E-2	10014116	送料拾牙轴轴套	Shaft sleeve	2	
E-3	10010542	挡圈	Thrust collar	2	
E-4	10038073	SM1/4"×40螺钉	Screw SM1/4"×40	4	
E-5	10010097	拾牙轴	Feed driving shaft	1	
E-6	10010073	送料轴	Feed rocker shaft	1	
E-7	10004440	牙架座偏心销	Pin	1	
E-8	10004474	牙架座	Feed bar driving crank	1	
E-9	10004993	SM3/16"×28螺钉	Screw SM3/16"×28	1	
E-10	10010074	SM11/64"×40螺钉	Screw SM11/64"×40	1	
E-11	10067264	牙架部件	Feed bar ASM.	1	
E-12	10010099	SM1/8"×44螺钉	Screw SM1/8"×44	2	
E-13	10044601	送料牙1/8	Feed dog 1/8	1	
E-14	10010100	拾牙叉形曲柄	Crank	1	
E-15	10004628	SM11/64"×40螺钉	Screw SM11/64"×40	1	
E-16	10010095	SM3/16"×28螺钉	Screw SM3/16"×28	2	
E-17	10010086	拾牙后曲柄	Crank	1	
E-18	10004475	SM9/32"×28螺母	Nut SM9/32"×28	1	
E-19	10010091	拾牙连杆轴位螺钉	Screw	1	
E-20	10010084	拾牙连杆	Connecting rod	1	
E-21	10010089	18.5×1.2挡圈	Closing ring 18.5×1.2	1	
E-22	10010092	SM1/4"×40螺钉	Screw SM1/4"×40	2	
E-23	10010115	送料偏心轮	Feed drive eccentric cam	1	
E-24	10010072	送料连杆	Connecting rod	1	
E-25	10010098	送料偏心轮盖板	Thrust cover	1	
E-26	10010643	SM9/64"×40螺钉	Screw SM9/64"×40	2	
E-27	10010069	送料连杆销	Pin	1	
E-28	10010071	SM9/64"×40螺钉	Screw SM9/64"×40	2	
E-29	10010068	送料长摆动板	Connecting plate	2	
E-30	10010075	送料短摆动板	Connecting plate	2	
E-31	10010076	送料曲柄	Crank	1	
E-32	10010096	送料曲柄销	Pin	1	
E-33	10010087	短摆动板连接销	Pin	2	
E-34	10012775	送料摆动板座部件	Feed adjusting ASM.	1	
E-35	10010102	送料摆动板座右销	Pin	1	
E-36	10058783	送料摆动板座右销	Pin	1	
E-37	10010678	SM15/64"×28螺钉	Screw SM15/64"×28	2	
E-38	10010197	SM9/64"×40螺钉	Screw SM9/64"×40	2	
E-39	10010282	摆动板座复位板	Plate	1	
E-40	10010285	SM11/64"×40螺钉	Screw SM11/64"×40	2	
E-41	10012796	摆动板座复位簧	Spring	1	
E-42	10008852	倒送料连杆	Feed adjust rod	1	
E-43	10010649	5.1×0.6挡圈	Closing ring 5.1×0.6	2	
E-44	10051742	SM9/64"×40螺钉	Screw SM9/64"×40	2	
E-45	10008848	送料调节器	Feed regulator	1	
E-46	10026886	偏心销	Pin	1	
E-47	10008956	送料调节器轴套	Shaft sleeve	1	

** 具体内容需向客服咨询

** Specific content need to consult customer service





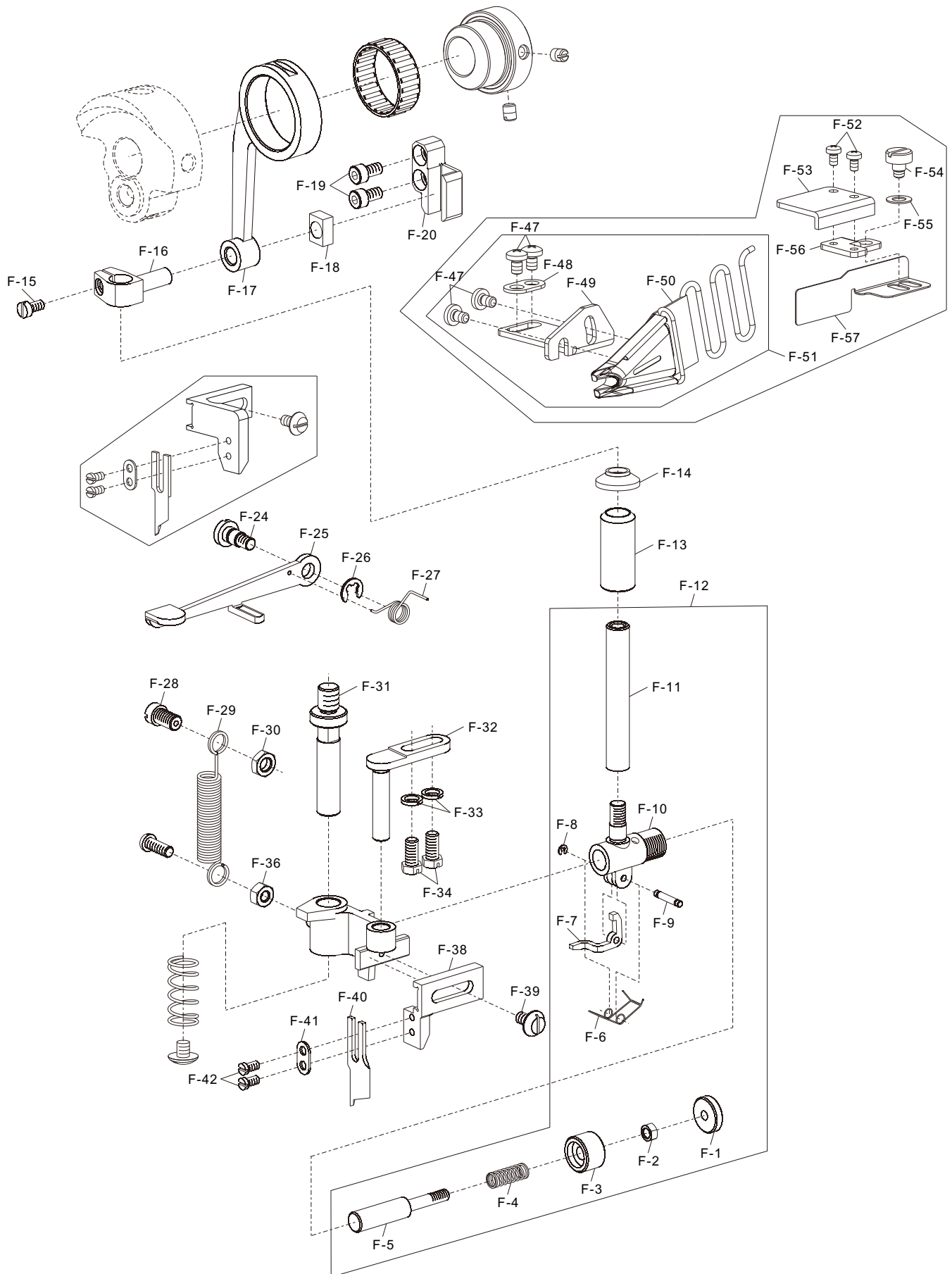
F

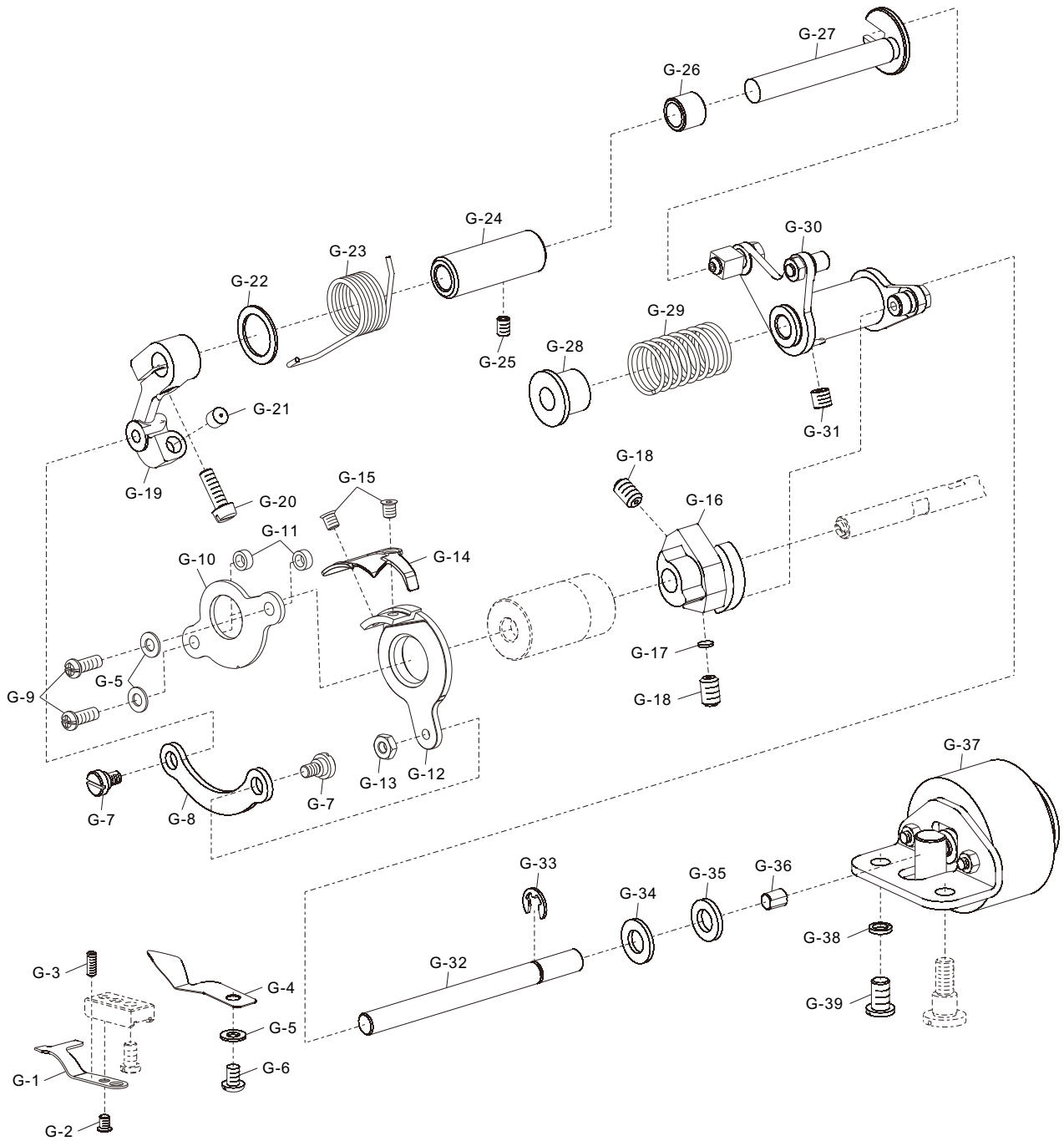
切刀控制分组件
Cutter Control Components

序号 Ref. No.	件号 Part No.	名称	Name of part	数量 QTY	备注 Remark
F-1	10074415	控刀拉钮	Knob	1	
F-2	10010370	SM11/64"×40螺母	Nut SM11/64"×40	1	
F-3	10074416	导套盖	Guide bushing cover	1	
F-4	10074073	刀控弹簧	Spring	1	
F-5	10074359	导向架控制销	Pin	1	
F-6	10074418	杠杆簧	Spring	1	
F-7	10074417	切刀控制杠杆	Lever for knife	1	
F-8	10003245	2挡圈	Closing ring 2	1	
F-9	10074360	杠杆连接销	Pin	1	
F-10	10074362	控制销导套	Guide bushing	1	
F-11	10074361	刀杆	Knife bar	1	
F-12	10074419	刀杆组件	Knife bar ASM.	1	
F-13	10059931	刀杆轴套	Shaft sleeve	1	
F-14	10067138	刀杆防油罩	Oil protector cover	1	
F-15	10030286	SM9/64"×40螺钉	Screw SM9/64"×40	1	
F-16	10044631	刀杆接头	Knife bar adaptor	1	
F-17	10073364	刀杆连杆	Connecting rod	1	
F-18	10044632	刀杆接头滑块	Slide block	1	
F-19	10047852	SM11/64"×40螺钉	Screw SM11/64"×40	2	
F-20	10045917	刀杆接头滑块导轨	Guide rail	1	
F-21	10013465	SM1/4"×40螺钉	Screw SM1/4"×40	2	
F-22	10073363	刀杆凸轮	Eccentric cam	1	
F-23	10047398	K25×29×9.7滚针轴承	Needle bearing K25×29×9.7	1	
F-24	10044604	控刀扳手轴位螺钉	Screw	1	
F-25	10044605	控刀扳手	Knife control lever	1	
F-26	10013038	5挡圈	Closing ring 5	1	
F-27	10044606	控刀扳手扭簧	Spring	1	
F-28	10044609	SM15/64"×28螺钉	Screw SM15/64"×28	1	
F-29	10044608	导向架拉簧	Spring	1	
F-30	10012625	SM15/64"×28螺母	Nut SM15/64"×28	1	
F-31	10074071	导向架导柱	Guide plunger	1	
F-32	10074070	导向架导轨	Guiding block	1	
F-33	10009469	5垫圈	Washer 5	2	
F-34	10044613	SM3/16"×28螺钉	Screw SM3/16"×28	2	
F-35	10010900	SM11/64"×40螺钉	Screw SM11/64"×40	1	
F-36	10011578	SM11/64"×40螺母	Nut SM11/64"×40	1	
F-37	10074358	刀架导向架	Guide bracket	1	
F-38	10044615	刀架	Knife holder	1	
F-39	10044616	刀架螺钉	Screw	1	
F-40	10044617	切刀	Cutting knife	1	简易款和四自动款 Simple models and Four automatic models
F-41	10044618	切刀垫片	Washer	1	
F-42	10044619	SM1/8"×44螺钉	Screw SM1/8"×44	2	
F-43	10062633	SM3/16"×28螺钉	Screw SM3/16"×28	1	
F-44	10074072	导向架复位弹簧	Spring	1	
F-45	10045874	切刀	Cutting knife	1	包边款 Hemming models
F-46	10045873	刀架	Knife holder	1	包边款 Hemming models
F-47	10003044	M4×6螺钉	Screw M4×6	4	包边款 Hemming models

** 具体内容需向客服咨询

** Specific content need to consult customer service







剪线分组件(四自动款)

Thread trimmer Components (Four automatic models)

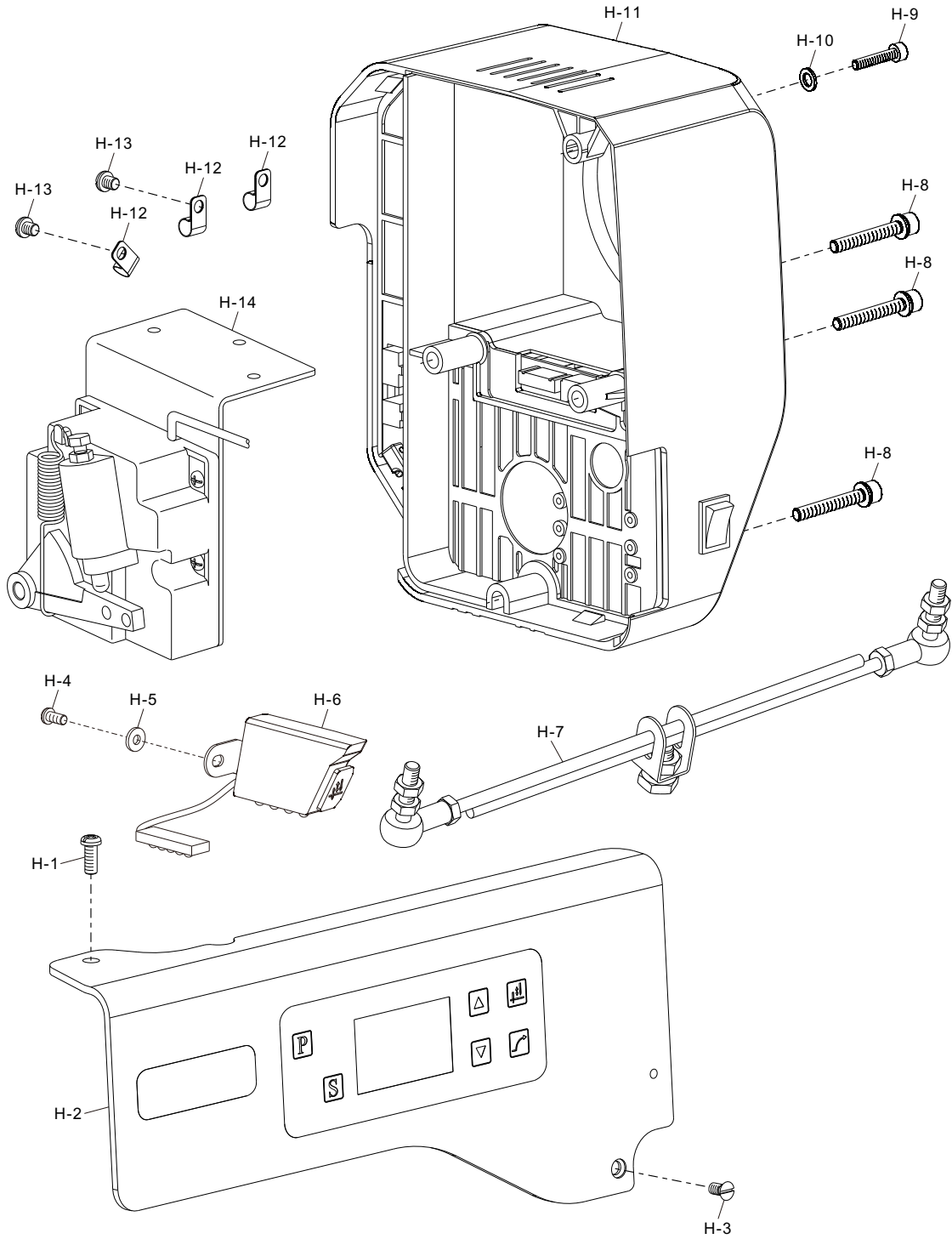
序号 Ref. No.	件号 Part No.	名称	Name of part	数量 QTY	备注 Remark
G-1	10011421	定刀	Fixed knife	1	
G-2	10011422	SM9/64"×40螺钉	Screw SM9/64"×40	1	
G-3	10024496	SM1/8"×40螺钉	Screw SM1/8"×40	1	
G-4	10058067	分线器	Dispart	1	
G-5	10013154	9×4.5×0.8垫圈	Washer 9×4.5×0.8	3	
G-6	10014474	SM11/64"×40螺钉	Screw SM11/64"×40	1	
G-7	10011514	SM11/64"×40螺钉	Screw SM11/64"×40	2	
G-8	10070499	刀轴连杆	Knife shaft crack rod	1	
G-9	10010900	SM11/64"×40螺钉	Screw SM11/64"×40	2	
G-10	10069005	刀架压板	Knife holder	1	
G-11	10069004	导套	Guide sleeve	2	
G-12	10004640	动刀架	Round knife bracket	1	
G-13	10011578	SM11/64"×40螺母	Nut SM11/64"×40	1	
G-14	10011494	动刀	Round knife	1	
G-15	10011588	SM11/64"×40螺钉	Screw SM11/64"×40	2	
G-16	10010736	剪线凸轮	Thread trimmer cam	1	
G-17	10023739	剪线凸轮垫	Cam collar	1	
G-18	10013465	SM1/4"×40螺钉	Screw SM1/4"×40	2	
G-19	10058043	切线驱动曲柄	Trimming crank	1	
G-20	10008863	SM3/16"×32螺钉	Screw SM3/16"×32	1	
G-21	10011580	曲柄止动块	Block	1	
G-22	10008865	15.3×21×1垫圈	Washer 15.3×21×1	1	
G-23	10011649	曲柄复位簧	Spring	1	
G-24	10067914	切线轴套	Shaft sleeve	1	
G-25	10012062	SM11/64"×40螺钉	Screw SM11/64"×40	1	
G-26	10011630	曲柄轴短套	Short bushing	1	
G-27	10067912	切刀驱动曲柄轴	Trimming crank shaft	1	
G-28	10014196	弹簧端盖	Spring cover	1	
G-29	10008812	弹簧	Spring	1	
G-30	10011686	切线凸轮曲柄组件	Trimming cam crank ASM.	1	
G-31	10008862	SM1/4"×40螺钉	Screw SM1/4"×40	1	
G-32	10011697	切刀驱动轴	Trimming shaft	1	
G-33	10009654	6×1挡圈	Closing ring 6×1	1	
G-34	10003031	8.4×16×1.6垫圈	Washer 8.4×16×1.6	1	
G-35	10011650	8.2×15×2垫圈	Washer 8.2×15×2	1	
G-36	10050266	消音塞	Sound deadening plug	1	
G-37	10031414	剪线电磁铁组件	Thread trimmer solenoid ASM.	1	
G-38	10003077	6弹簧垫圈	Washer 6	1	
G-39	10011605	SM1/4"×28螺钉	Screw SM1/4"×28	1	

“*” 具体内容需向客服咨询
 “*” Specific content need to consult customer service



电控分组件(简易款和包边款)

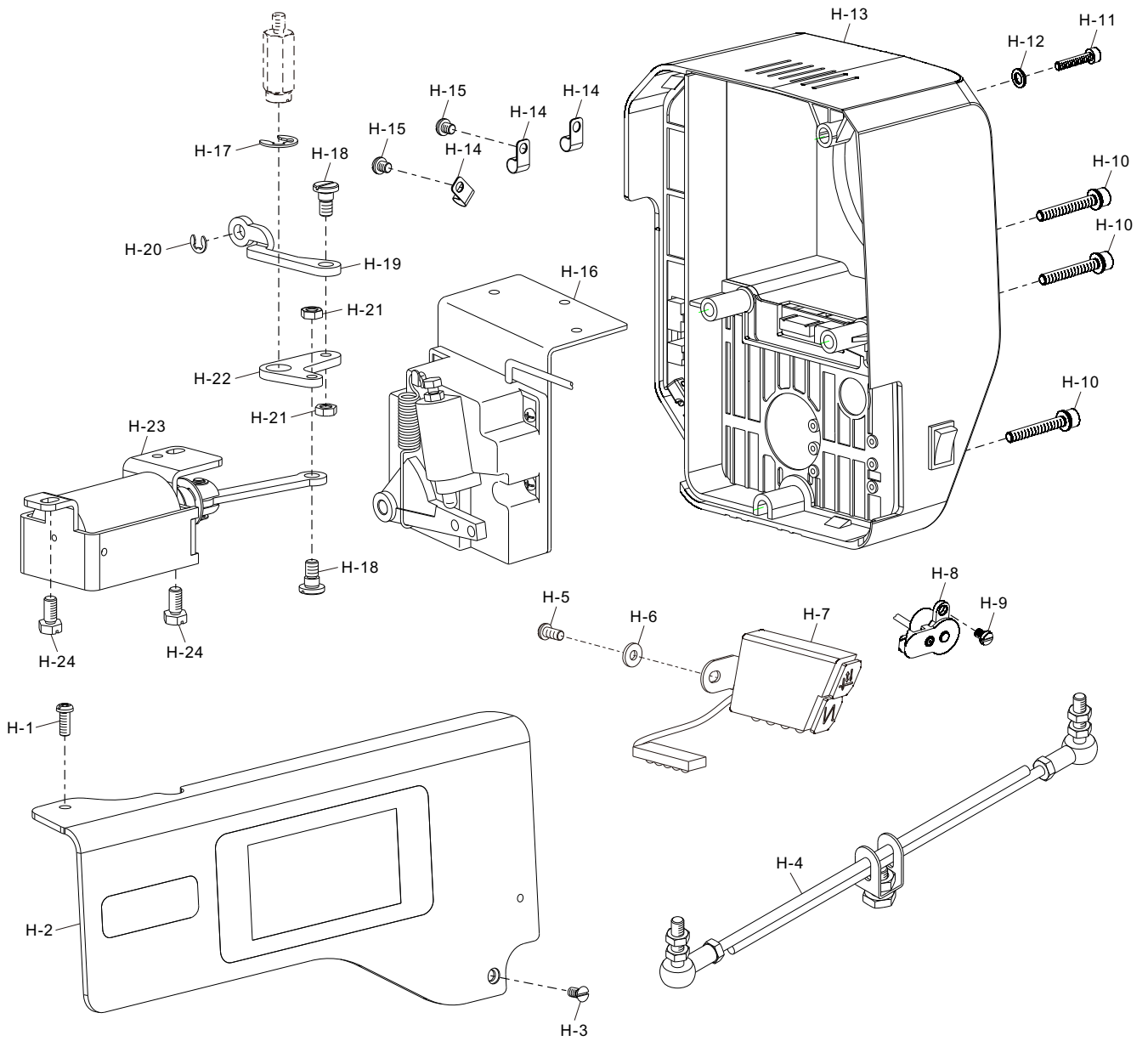
Drive-by-wire Components (Simple models and Hemming models)



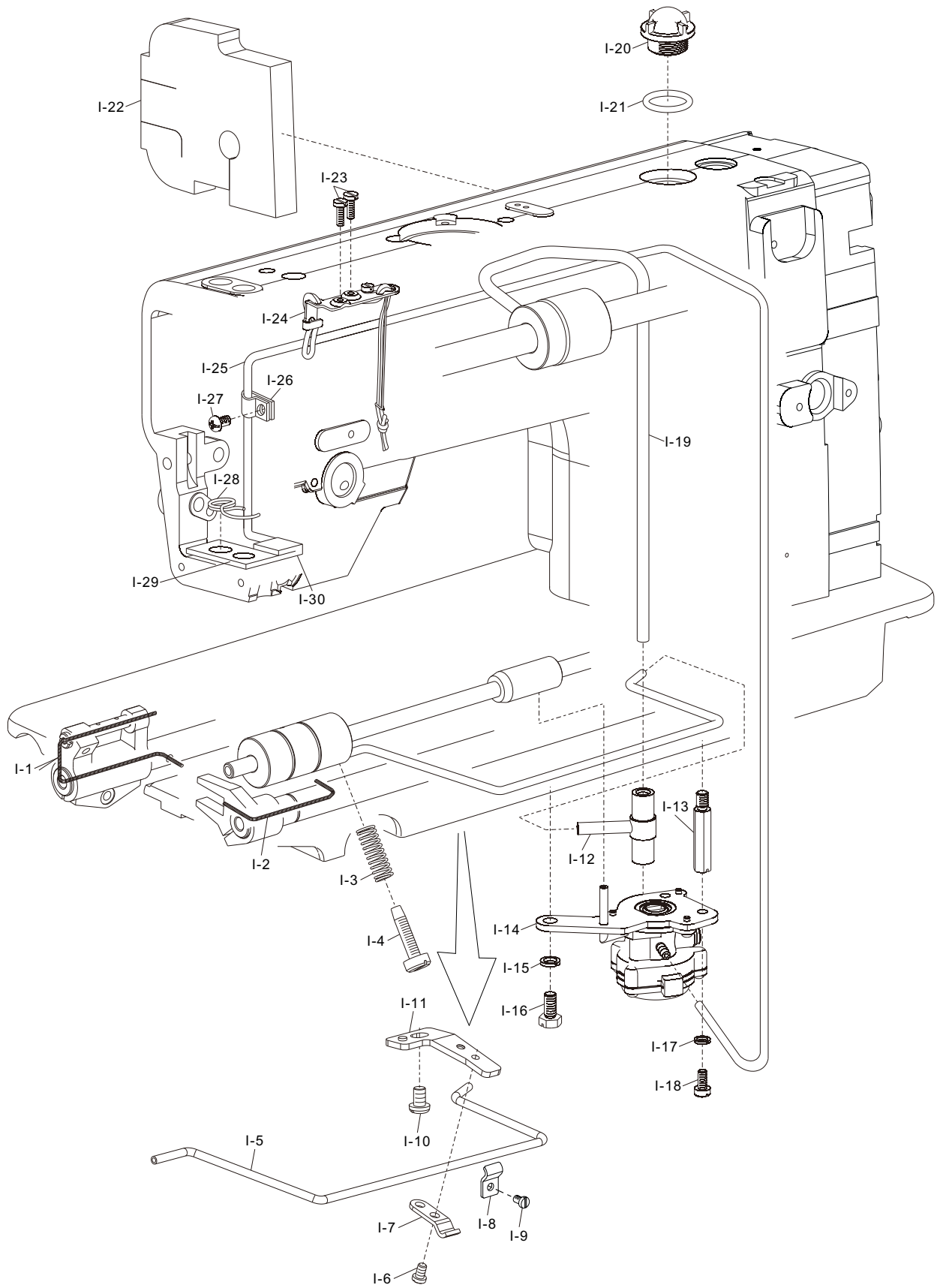


电控分组件(四自动款)

Drive-by-wire Components (Four automatic models)



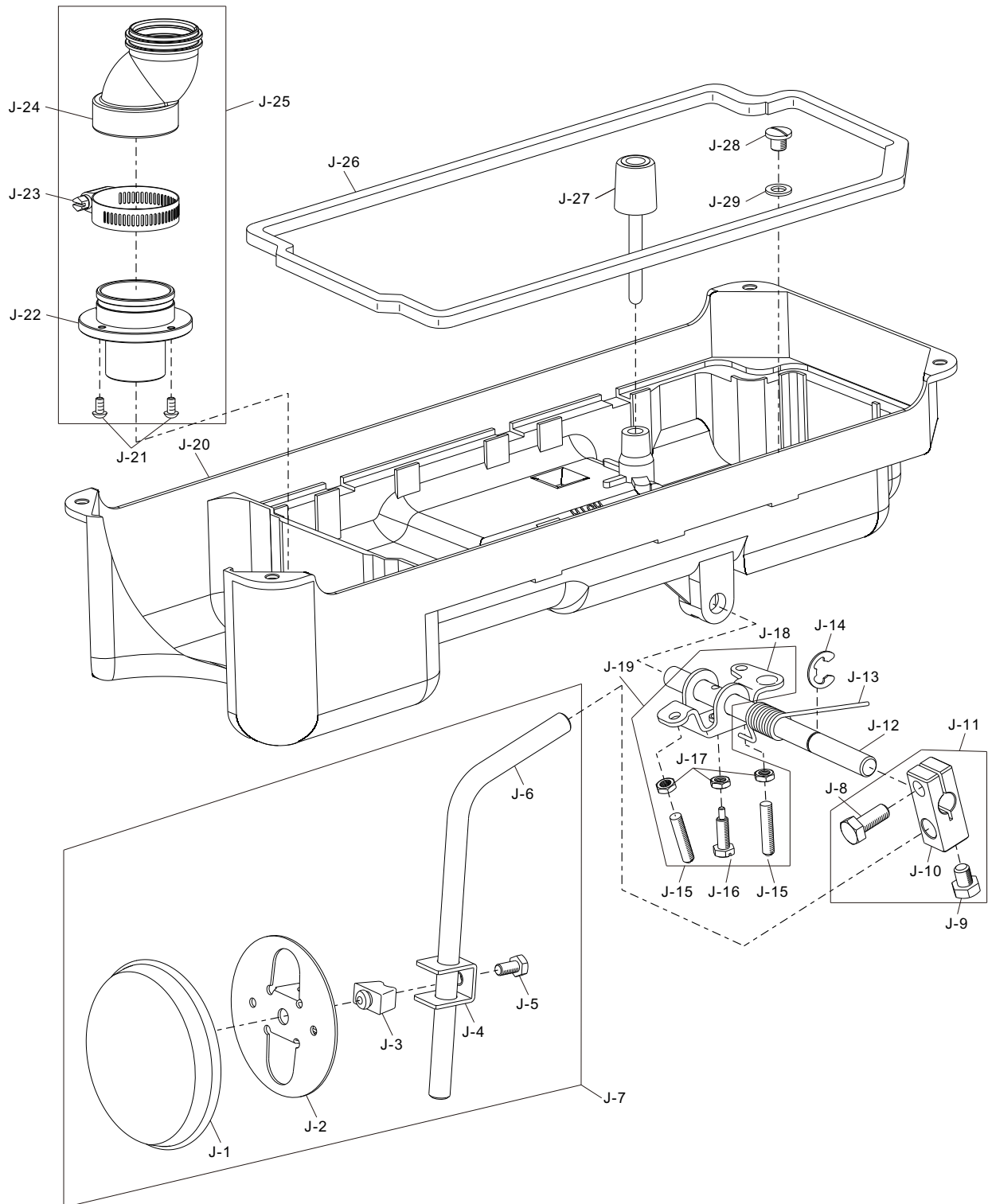
润滑分组件 Lubrication Components



润滑分组件
Lubrication Components

序号 Ref. No.	件号 Part No.	名称	Name of part	数量 QTY	备注 Remark
I-1	10008067	φ2油线(430mm)	Oil wick(430mm)	1	
I-2	10008067	φ2油线(400mm)	Oil wick(400mm)	1	
I-3	10008806	旋梭油量调节簧	Spring	1	
I-4	10071296	旋梭油量调节螺钉	Screw	1	
I-5	10008807	旋梭供油管	Oil tube	1	
I-6	10010074	SM11/64"×40螺钉	Screw SM11/64"×40	1	简易款和包边款 Simple models and Hemming models
I-7	10012445	旋梭供油管压板	Tube holder	1	简易款和包边款 Simple models and Hemming models
I-8	10050424	旋梭供油管压板	Tube holder	1	四自动款 Four automatic models
I-9	10013269	SM9/64"×40螺钉	Screw SM9/64"×40	1	四自动款 Four automatic models
I-10	10010292	SM15/64"×28螺钉	Screw SM15/64"×28	1	简易款和包边款 Simple models and Hemming models
I-11	10012443	油管下支承板	Plate	1	简易款和包边款 Simple models and Hemming models
I-12	10010340	供油管接头	Oil connection	1	
I-13	10010293	油泵连接螺柱	Screw	1	简易款和包边款 Simple models and Hemming models
I-13	10012505	油泵连接螺柱	Screw	1	四自动款 Four automatic models
I-14	10008817	油泵部件	Oil pump ASM.	1	
I-15	10003077	6弹簧垫圈	Washer 6	1	
I-16	10050422	SM15/64"×28螺钉	Screw SM15/64"×28	1	
I-17	10005537	5弹簧垫圈	Washer 5	1	
I-18	10010066	SM11/64"×40螺钉	Screw SM11/64"×40	1	
I-19	10048653	上轴供油管	Oil tube	1	
I-20	10008938	油窗	Oil sight window	1	
I-21	10008939	19×3 O形圈	O-ring 19×3	1	
I-22	10072680	挡油海绵	Foam rubber	1	
I-23	10045116	SM9/64"×40螺钉	Screw SM9/64"×40	2	
I-24	20017161	油线固定板组件	Dead plate ASM.	1	
I-25	10007795	φ3.5×φ5油管(690mm)	Oil tube(690mm)	1	
I-26	10050804	回油管夹	Holder	1	
I-27	10008934	SM3/16"×28螺钉	Screw SM3/16"×28	1	
I-28	10042077	回油毛毡夹	Oil felt preser	1	
I-29	10040917	回油毛毡	Roler felt	1	
I-30	20028934	回油管组件	Oil return tube ASM.	1	

“*” 具体内容需向客服咨询
“**” Specific content need to consult customer service



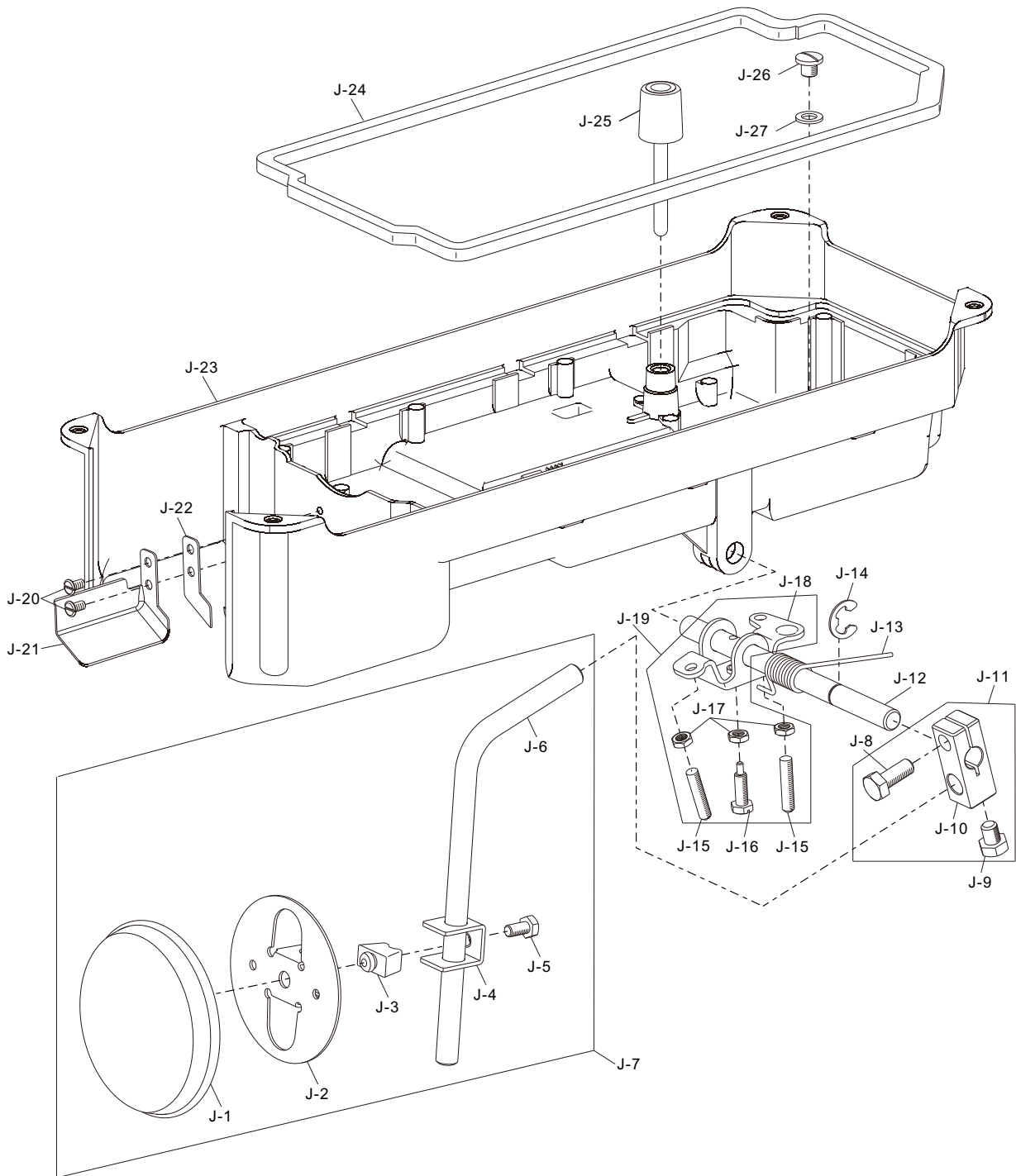
J

油盘、膝抬压脚分组件(包边款)

Presser Foot Components Of Oil Plate Knee Lift (Hemming models)

序号 Ref. No.	件号 Part No.	名称	Name of part	数量 QTY	备注 Remark
J-1	10004223	操纵板软垫	Knee pressing cover	1	
J-2	10003891	操纵板	Knee pressing plate	1	
J-3	10003900	操纵板垫	Knee pressing plate rubber	1	
J-4	10003897	操纵杆接头	Knee pressing plate holder	1	
J-5	10003894	SM15/64"×28螺钉	Screw SM15/64"×28	1	
J-6	10003901	操纵杆	Knee pressing plate rod	1	
J-7	10009985	操纵杆部件	Knee pressing plate ASM.	1	
J-8	10002613	M8×20螺钉	Screw M8×20	1	
J-9	10002610	M8×10螺钉	Screw M8×10	1	
J-10	10003896	抬压脚操纵杆接头	Connection	1	
J-11	10002562	抬压脚操纵杆接头组件	Connection ASM.	1	
J-12	10003899	抬压脚轴	Knee pressing shaft	1	
J-13	10003893	双向曲柄扭簧	Spring	1	
J-14	10002559	9.8×1挡圈	Closing ring 9.8×1	1	
J-15	10003895	M6×30螺钉	Screw M6×30	2	
J-16	10003898	双向曲柄螺钉	Screw	1	
J-17	10003890	M6×3.2螺母	Nut M6×3.2	3	
J-18	10009987	抬压脚双向曲柄	Crank	1	
J-19	10002563	抬压脚双向曲柄组件	Crank ASM.	1	
J-20	10054998	油盘	Oil reservoir	1	
J-21	10059604	转接头固定螺钉	Screw M4×8	2	
J-22	10059601	下料斗转接头	Adaptor	1	
J-23	10059603	连接管固定卡箍	Hose clamps	1	
J-24	10059602	转接头橡胶连接管	Rubber connecting pipe	1	
J-25	10059600	下料斗转接头组件	Adaptor ASM.	1	
J-26	10014194	油盘垫	Oil reservoir gasket	1	
J-27	10009984	抬压脚顶销	Pin	1	
J-28	10009991	SM5/16"×24螺钉	Screw SM5/16"×24	1	
J-29	10009988	7.8×13.5×1.3垫圈	Rubber ring 7.8×13.5×1.3	1	

"*" 具体内容需向客服咨询
 "*" Specific content need to consult customer service

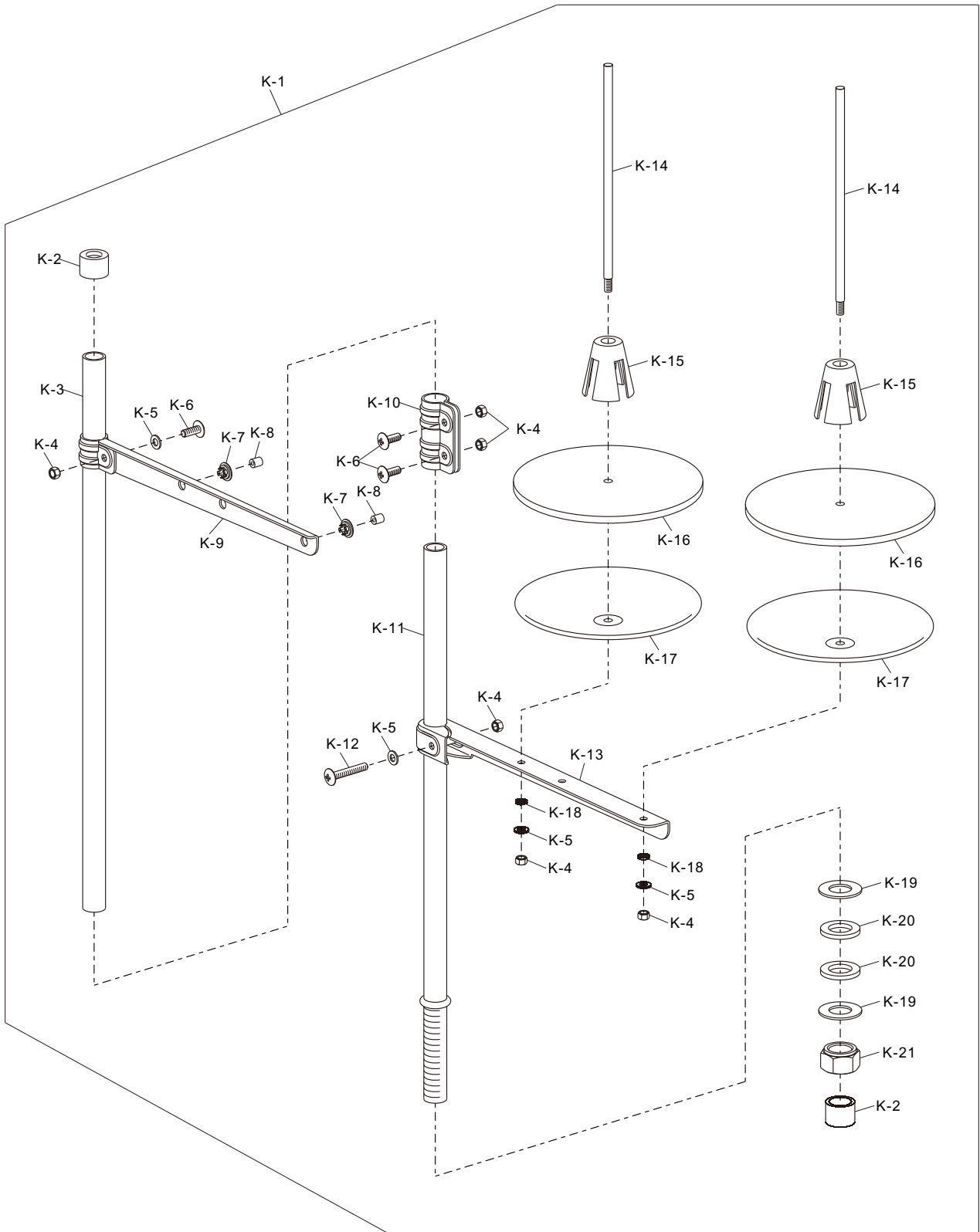


油盘、膝抬压脚分组件(简易款和四自动款)

Presser Foot Components Of Oil Plate Knee Lift (Simple models and Four automatic models)

序号 Ref. No.	件号 Part No.	名称	Name of part	数量 QTY	备注 Remark
J-1	10004223	操纵板软垫	Knee pressing cover	1	
J-2	10003891	操纵板	Knee pressing plate	1	
J-3	10003900	操纵板垫	Knee pressing plate rubber	1	
J-4	10003897	操纵杆接头	Knee pressing plate holder	1	
J-5	10003894	SM15/64"×28螺钉	Screw SM15/64"×28	1	
J-6	10003901	操纵杆	Knee pressing plate rod	1	
J-7	10009985	操纵杆部件	Knee pressing plate ASM.	1	
J-8	10002613	M8×20螺钉	Screw M8×20	1	
J-9	10002610	M8×10螺钉	Screw M8×10	1	
J-10	10003896	抬压脚操纵杆接头	Connection	1	
J-11	10002562	抬压脚操纵杆接头组件	Connection ASM.	1	
J-12	10003899	抬压脚轴	Knee pressing shaft	1	
J-13	10003893	双向曲柄扭簧	Spring	1	
J-14	10002559	9.8×1挡圈	Closing ring 9.8×1	1	
J-15	10003895	M6×30螺钉	Screw M6×30	2	
J-16	10003898	双向曲柄螺钉	Screw	1	
J-17	10003890	M6×3.2螺母	Nut M6×3.2	3	
J-18	10009987	抬压脚双向曲柄	Crank	1	
J-19	10002563	抬压脚双向曲柄组件	Crank ASM.	1	
J-20	10013128	SM11/64"×40螺钉	Screw SM11/64"×40	2	
J-21	10044634	导屑板	Chip guide plate	1	
J-22	10045130	导屑板衬垫	Chip guide plate mat	1	
J-23	10044633	油盘	Oil reservoir	1	
J-24	10014194	油盘垫	Oil reservoir gasket	1	
J-25	10009984	抬压脚顶销	Pin	1	
J-26	10009991	SM5/16"×24螺钉	Screw SM5/16"×24	1	
J-27	10009988	7.8×13.5×1.3垫圈	Rubber ring 7.8×13.5×1.3	1	

“*” 具体内容需向客服咨询
“*” Specific content need to consult customer service

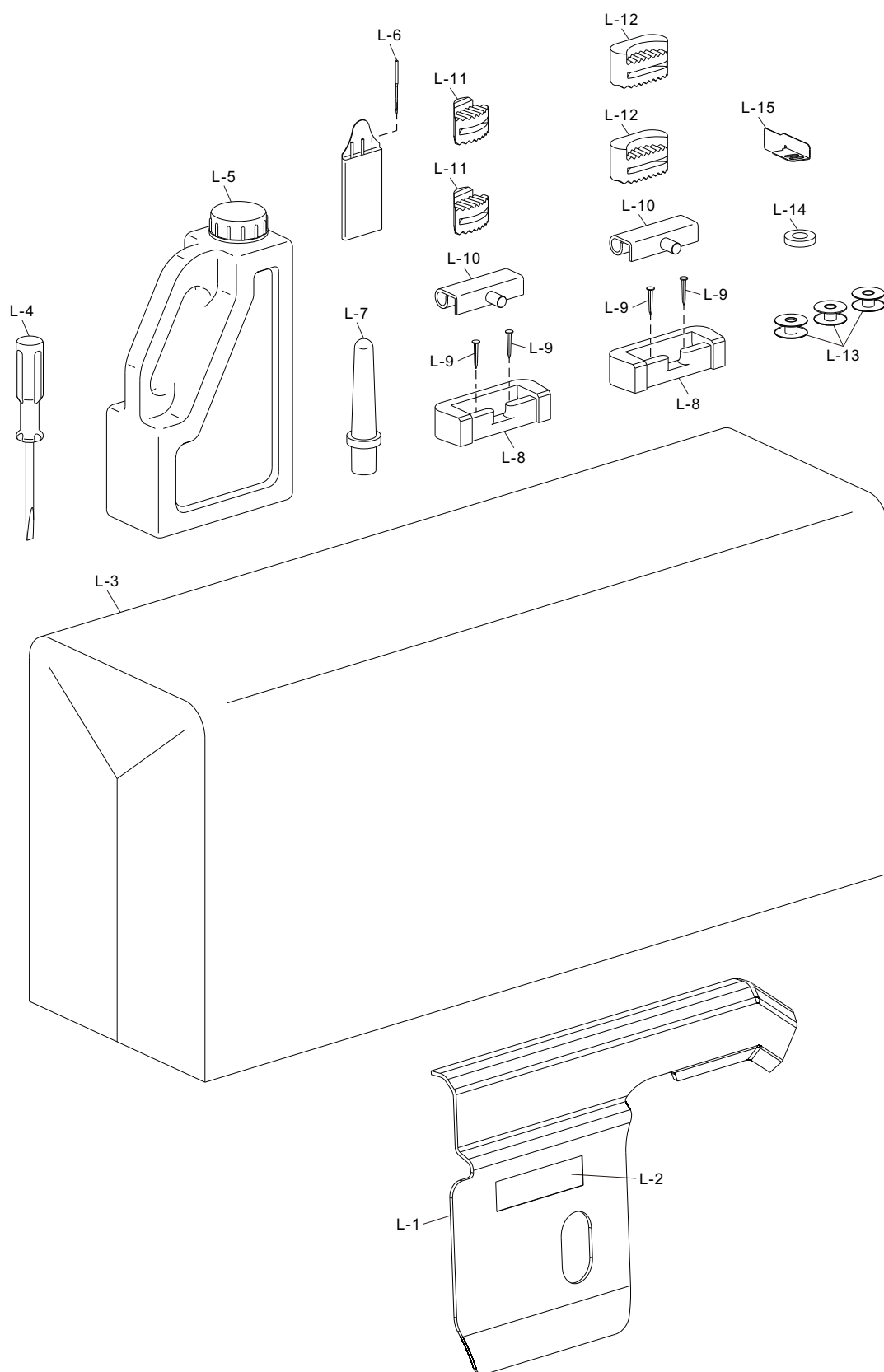


K

过线架分组件
Components Of Thread-running Stand

序号 Ref. No.	件号 Part No.	名称	Name of part	数量 QTY	备注 Remark
K-1	10007130	二线线架部件	Thread stand ASM.	1	
K-2	10004282	撑管套	Column cap	2	
K-3	10004293	线架上撑管	Column pipe(upper)	1	
K-4	10002953	M5螺母	Nut M5	6	
K-5	10003022	5平垫圈	Washer 5	4	
K-6	10003301	M5×14螺钉	Screw M5×14	3	
K-7	10004285	过线管套	Thread guide bushing	2	
K-8	10004289	过线管	Thread guide pipe	2	
K-9	10004298	上过线架	Thread hanger(upper)	1	
K-10	10004286	撑管夹	Column pipe connector	1	
K-11	10004291	线架下撑管	Column pipe(lower)	1	
K-12	10003312	M5×30螺钉	Screw M5×30	1	
K-13	10004284	下过线架	Thread hanger(lower)	1	
K-14	10004288	线轴	Spool pin	2	
K-15	10004287	线盘塑料压块	Spool cushion	2	
K-16	10004281	线盘软垫	Spool mat	2	
K-17	10004299	线盘	Spool seat disc	2	
K-18	10005537	5弹簧垫圈	Washer 5	2	
K-19	10004290	16×30×1.5垫圈	Washer 16×30×1.5	2	
K-20	10004295	16.5×27.5×3垫圈	Washer 16.5×27.5×3	2	
K-21	10002985	M16螺母	Nut M16	1	

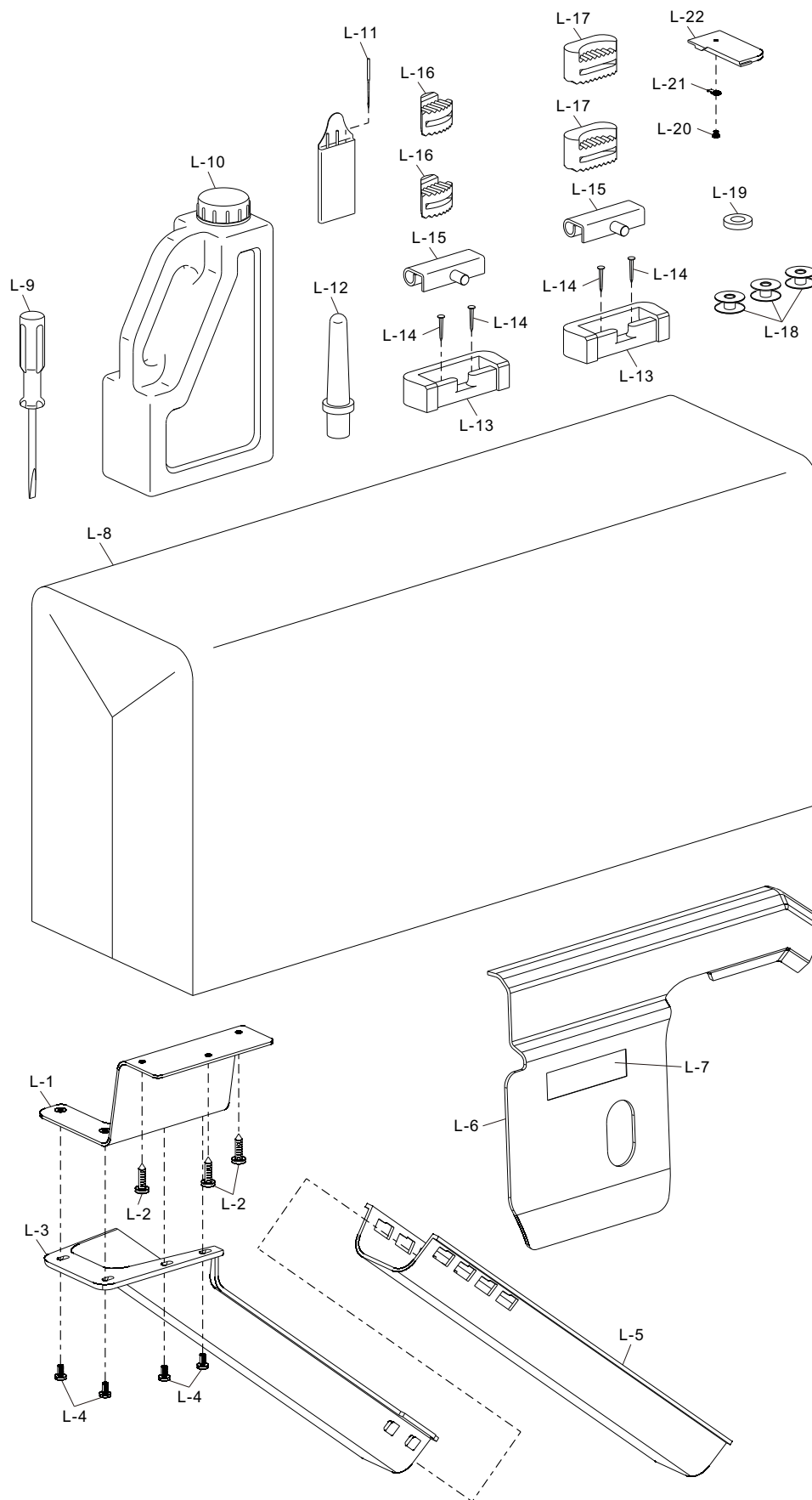
“*” 具体内容需向客服咨询
“**” Specific content need to consult customer service





附件(简易款和四自动款)

Auxiliaries (Simple models and Four automatic models)





附件(简易款和四自动款)

Auxiliaries (Simple models and Four automatic models)

序号 Ref. No.	件号 Part No.	名称	Name of part	数量 QTY	备注 Remark
L-1	20016320	导屑滑板支架	Waste material chute holder	1	
L-2	10008323	ST4.2×20螺钉	Screw ST4.2×20	3	
L-3	10044640	导屑滑板	Waste material chute	1	
L-4	10009455	M4×8螺钉	Screw M4×8	4	
L-5	10044641	导屑连接滑板	Waste material chute joint	1	
L-6	10067152	后窗塑料罩	Plastic cover	1	
L-7	*	塑料罩标贴	Trademark sticker	1	
L-8	*	机头罩	Head cover	1	
L-9	10010995	中螺丝刀	Screw driver , middle	1	
L-10	10060866	油箱	Oil bottle 500ml	1	
L-11	*	DB×1 14#机针	Needle DB×1 14#	3	
L-12	10004514	机头支柱	Head pole	1	
L-13	10011041	机头连接钩座	Head connecting hook socket	2	
L-14	10003889	机头连接钩座钉	Nail	4	
L-15	10004466	机头连接钩部件	Head connecting hook	2	
L-16	10009986	油盘支座	Oil reservoir seat	2	
L-17	10009993	机头油盘座垫	Oil reservoir cushion	2	
L-18	10010060	梭芯	Bobbin	3	简易款 Simple models
L-18	10025484	梭芯	Bobbin	3	四自动款 Four automatic models
L-19	10003892	油盘磁铁	Oil reservoir magnet	1	
L-20	10044639	SM1/8"×40螺钉	Screw SM1/8"×40	1	
L-21	10044638	排屑孔盖板簧	Spring	1	
L-22	10044637	排屑孔盖板	Clearance hole cover	1	

“*” 具体内容需向客服咨询
“*” Specific content need to consult customer service