

目 录

CONTENTS

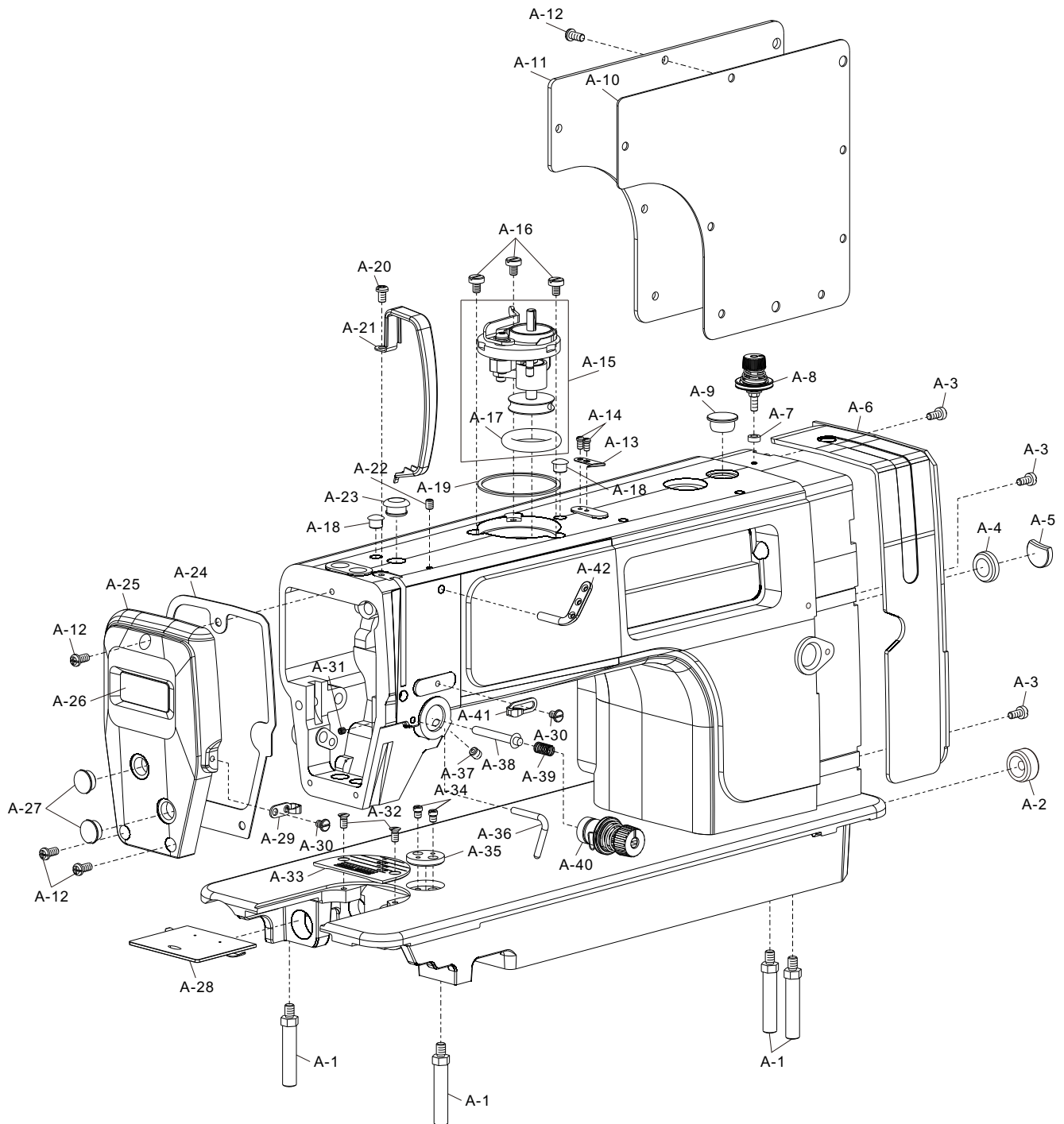
零件样本 Parts Book

A	机壳分组件 Machine Frame & Miscellaneous Cover Components	1
B	上轴、挑线分组件 Main Shaft & Thread Take-up Cover Components	3
C	抬压脚分组件 Hang Lifter & Tension Release Components	7
D	勾线分组件 Hook Of Driving Shaft Components	9
E	送料分组件 Feed Mechanism Components	11
F	电控分组件 Drive-by-wire Components	15
G	润滑分组件 Lubrication Components	17
H	油盘、膝抬压脚分组件 Presser Foot Components Of Oil Plate Knee Lift	19
I	过线架分组件 Components Of Thread-running Stand	21
J	附件 Auxiliaries	23

A

机壳分组件

Machine Frame & Miscellaneous Cover Components



A

机壳分组件

Machine Frame & Miscellaneous Cover Components

序号 Ref. No.	件号 Part No.	名称	Name of part	数量 QTY	备注 Remark
A-1	10002577	底板支柱	Bed screw stud	4	
A-2	10008941	橡胶塞	Rubber plug	1	
A-3	10002881	M4×8螺钉	Screw M4×8	2	
A-4	10008975	橡胶塞	Rubber plug	1	
A-5	10053849	橡胶塞	Rubber plug	1	
A-6	10070676	塑料标识板	Plastic plate	1	
A-7	10062565	绕线夹线器垫圈	Washer	1	
A-8	10062049	绕线夹线器组件	Bobbin thread tension ASM	1	
A-9	10009576	橡胶塞	Rubber plug	1	
A-10	10066540	后窗板垫	Side plate gasket	1	
A-11	20024889	后窗板	Side plate	1	
A-12	10008972	SM3/16"×28螺钉	Screw SM3/16"×28	12	
A-13	10011149	绕线切刀	Thread cutter	1	
A-14	10050423	SM9/64"×40螺钉	Screw SM9/64"×40	2	
A-15	10031086	绕线器	Bobbin wider ASM.	1	
A-16	10004380	SM3/16"×32螺钉	Screw SM3/16"×32	3	
A-17	10008773	橡胶轮	Rubber ring	1	
A-18	10008943	橡胶塞	Rubber ring	2	
A-19	10061911	绕线器垫	Bobbin wider ASM. Washer	1	
A-20	10008934	SM3/16"×28螺钉	Screw SM3/16"×28	1	
A-21	10014082	挑线杆护罩	Thread take-up lever cover	1	
A-22	10041529	SM3/16"×28螺钉	Screw SM3/16"×28	1	
A-23	10008942	橡胶塞	Rubber ring	1	
A-24	10062031	面板垫	Face plate gasket	1	
A-25	20027458	面板	Face plate	1	
A-26	10070679	面板装饰牌	Decorative board	1	
A-27	10008977	橡胶塞	Rubber ring	2	
A-28	10013706	推板部件	Push plate ASM.	1	
A-29	10008937	左线钩	Arm thread guide left	1	
A-30	10008973	SM11/64"×40螺钉	Screw SM11/64"×40	2	
A-31	10009074	M4螺钉	Screw M4	1	
A-32	10009005	SM11/64"×40螺钉	Screw SM11/64"×40	2	
A-33	10060708	针板组件	Needle plate	1	
A-33	10014459	针板组件	Needle plate	1	-5
A-33	10008039	针板组件	Needle plate	1	S7
A-33	10052350	针板组件	Needle plate	1	H
A-34	10004374	SM11/64"×40螺钉	Screw SM11/64"×40	2	
A-35	10004373	限位挡片	Ruler plate	1	
A-36	10039823	缓线钩	Presser bar thread guide	1	
A-37	10006264	SM15/64"×28螺钉	Screw SM15/64"×28	1	
A-38	10062374	松线辅钉	Tension release supporting pin	1	
A-39	10050348	弹簧	Spring	1	
A-40	10062050	夹线器部件	Thread take-up device	1	
A-41	10008940	右线钩	Arm thread guide right	1	
A-42	10010640	三眼线钩	Thread-hole guid	1	

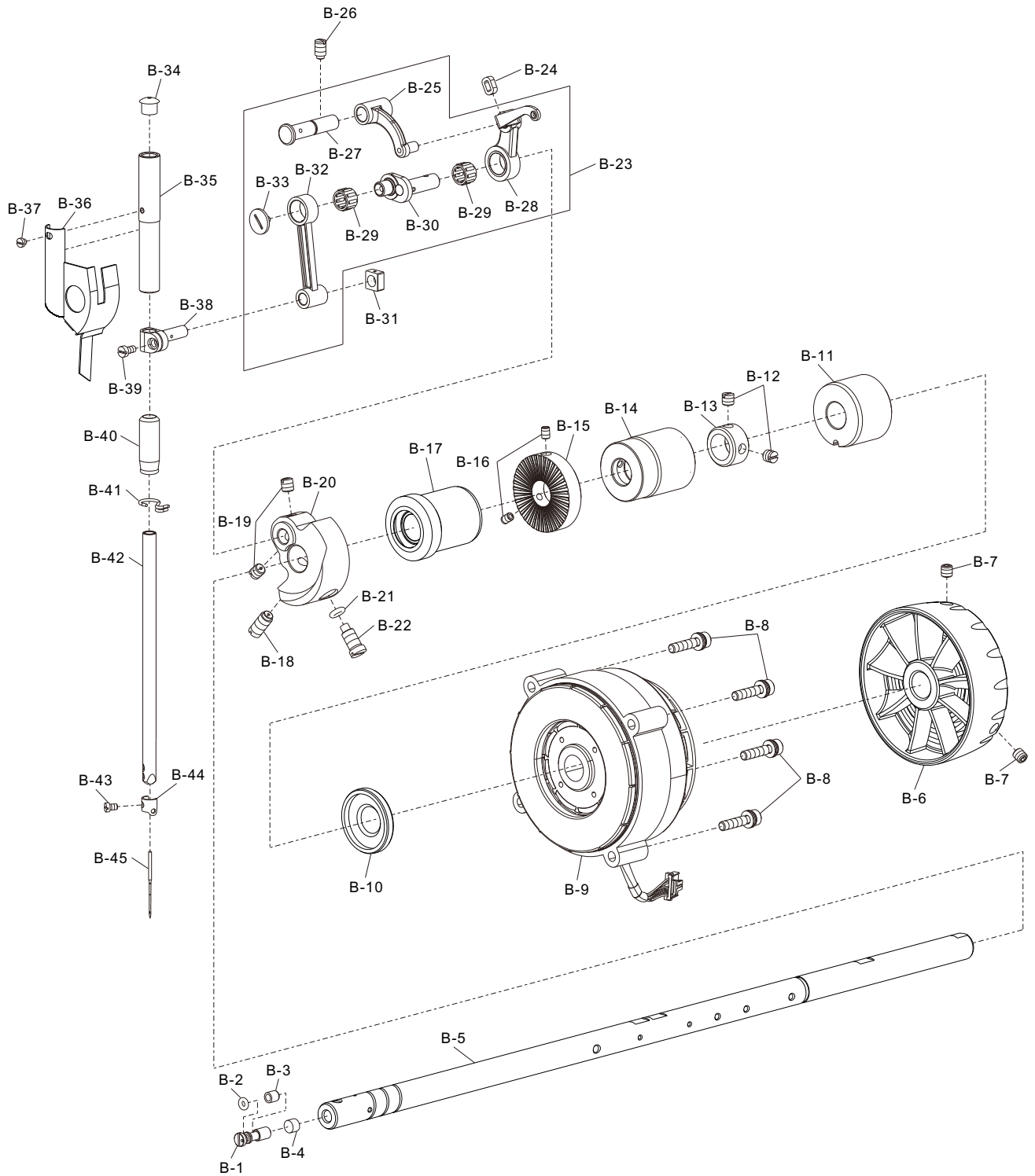
“*” 具体内容需向客服咨询

“*” Specific content need to consult customer service

B

上轴、挑线分组件

Main Shaft & Thread Take-up Cover Components



B

上轴、挑线分组件 Main Shaft & Thread Take-up Cover Components

序号 Ref. No.	件号 Part No.	名称	Name of part	数量 QTY	备注 Remark
B-1	10010504	油量调节销	Adjusting pin	1	
B-2	10010538	6.46×1.78 O形圈	O-ring 6.46×1.78	1	
B-3	10010540	油量调节销套	Sleeve of adjusting pin	1	
B-4	10010541	毛毡	Roler felt	1	
B-5	10062373	上轴	Main shaft	1	
B-6	20023713	上轮	Head wheel	1	
B-7	10011232	M6×6螺钉	Screw M6×6	2	
B-8	10043242	M5螺钉组件	Screw M5 ASM.	4	
B-9	10061920	分体电机组件	Motor ASM.	1	
B-10	10058049	油封	Oil seal	1	
B-11	10048486	上轴后轴套	Shaft sleeve	1	
B-12	10005020	SM1/4"×40螺钉	Screw SM1/4"×40	2	
B-13	10010542	挡圈	Thrust collar	1	
B-14	10048484	上轴中轴套	Shaft sleeve	1	
B-15	10070526	绕线主动轮	Driving wheel	1	
B-16	10041529	SM3/16"×28螺钉	Screw SM3/16"×28	2	
B-17	10061912	上轴前轴套	Shaft sleeve	1	
B-18	10010082	SM9/32"×28螺钉	Screw SM9/32"×28	1	
B-19	10010065	SM1/4"×40螺钉	Screw SM1/4"×40	2	
B-20	10012203	针杆曲柄	Crank	1	
B-20	10012858	针杆曲柄	Crank	1	-5
B-20	10005938	针杆曲柄	Crank	1	H
B-21	10010534	9.2×2.4 O形圈	O-ring 9.2×2.4	1	
B-22	10010545	针杆曲柄定位螺钉	Screw	1	
B-23	10047592	挑线杆组件	Thread take-up lever ASM.	1	
B-24	10010539	挑线杆防油圈	Oil resistant cover	1	
B-25	10010535	挑线连杆	Connecting rod	1	
B-25	10005936	挑线连杆	Connecting rod	1	H
B-26	10010083	SM15/64"×28螺钉	Screw SM15/64"×28	1	
B-27	20019236	挑线连杆销组件	Pin ASM.	1	
B-28	10004158	挑线杆	Thread take-up lever	1	
B-28	10038474	挑线杆	Thread take-up lever	1	-5
B-28	10005939	挑线杆	Thread take-up lever	1	H
B-29	10014107	K8×12×7.8滚针轴承	Needle bearing K8×12×7.8	2	
B-30	10004144	挑线曲柄部件	Crank ASM.	1	
B-30	10005937	挑线曲柄部件	Crank ASM.	1	-5/H
B-31	10010586	针杆连接柱滑块	Sliding block	1	
B-32	10010592	针杆连杆	Connecting rod	1	
B-33	10010537	挑线曲柄左旋螺钉	Screw	1	
B-34	10010587	橡胶塞	Rubber plug	1	
B-35	10011063	针杆上轴套	Shaft sleeve	1	
B-36	10056308	面部防油板部件	ARM oil shield ASM.	1	
B-37	10005558	SM1/8"×44螺钉	Screw SM1/8"×44	1	
B-38	10010590	针杆连接柱	Joint pin	1	
B-39	10030286	SM9/64"×40螺钉	Screw SM9/64"×40	1	
B-40	10014117	针杆下轴套	Shaft sleeve	1	
B-40	10005916	针杆下轴套	Shaft sleeve	1	-5/H

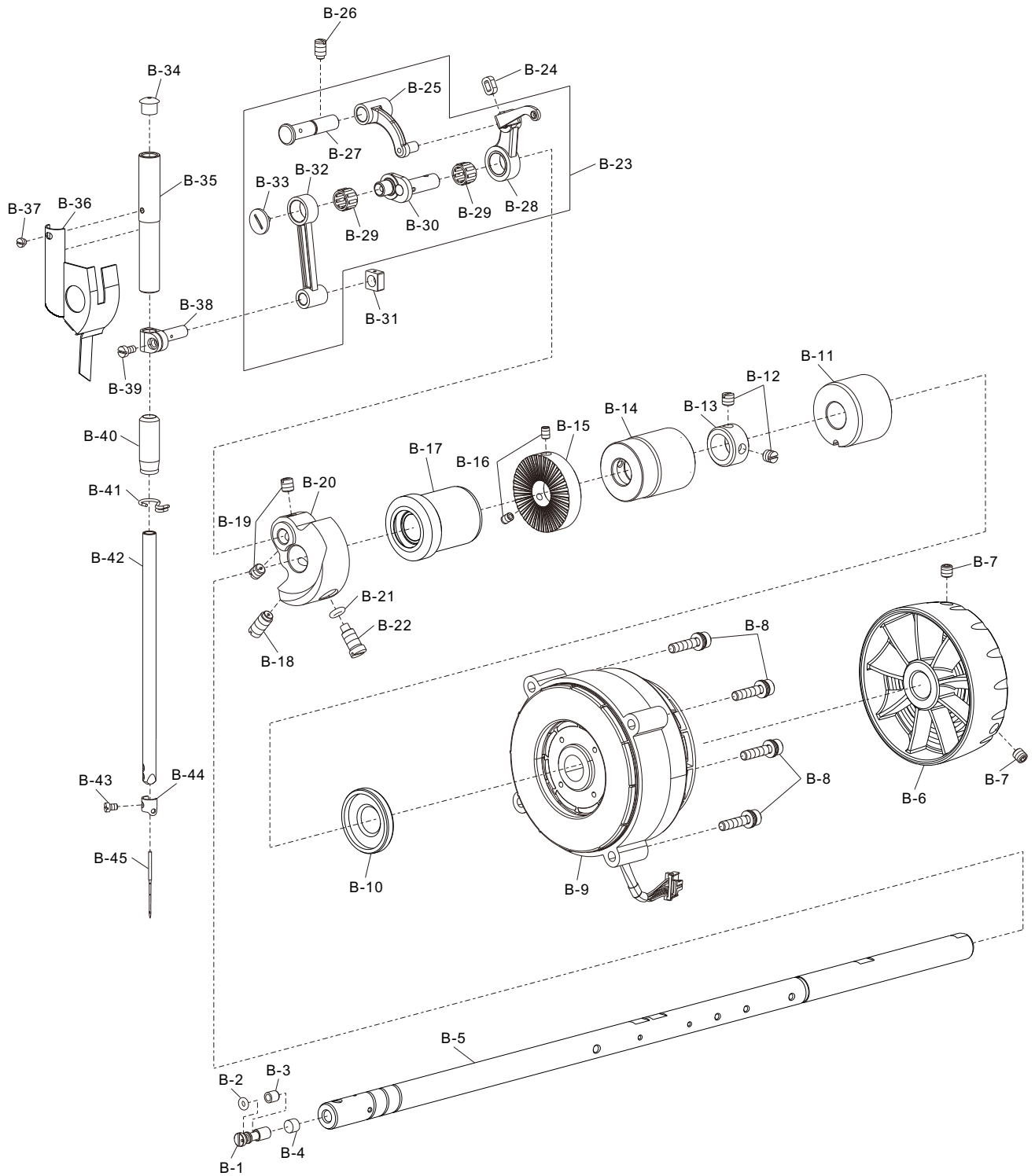
“*” 具体内容需向客服咨询

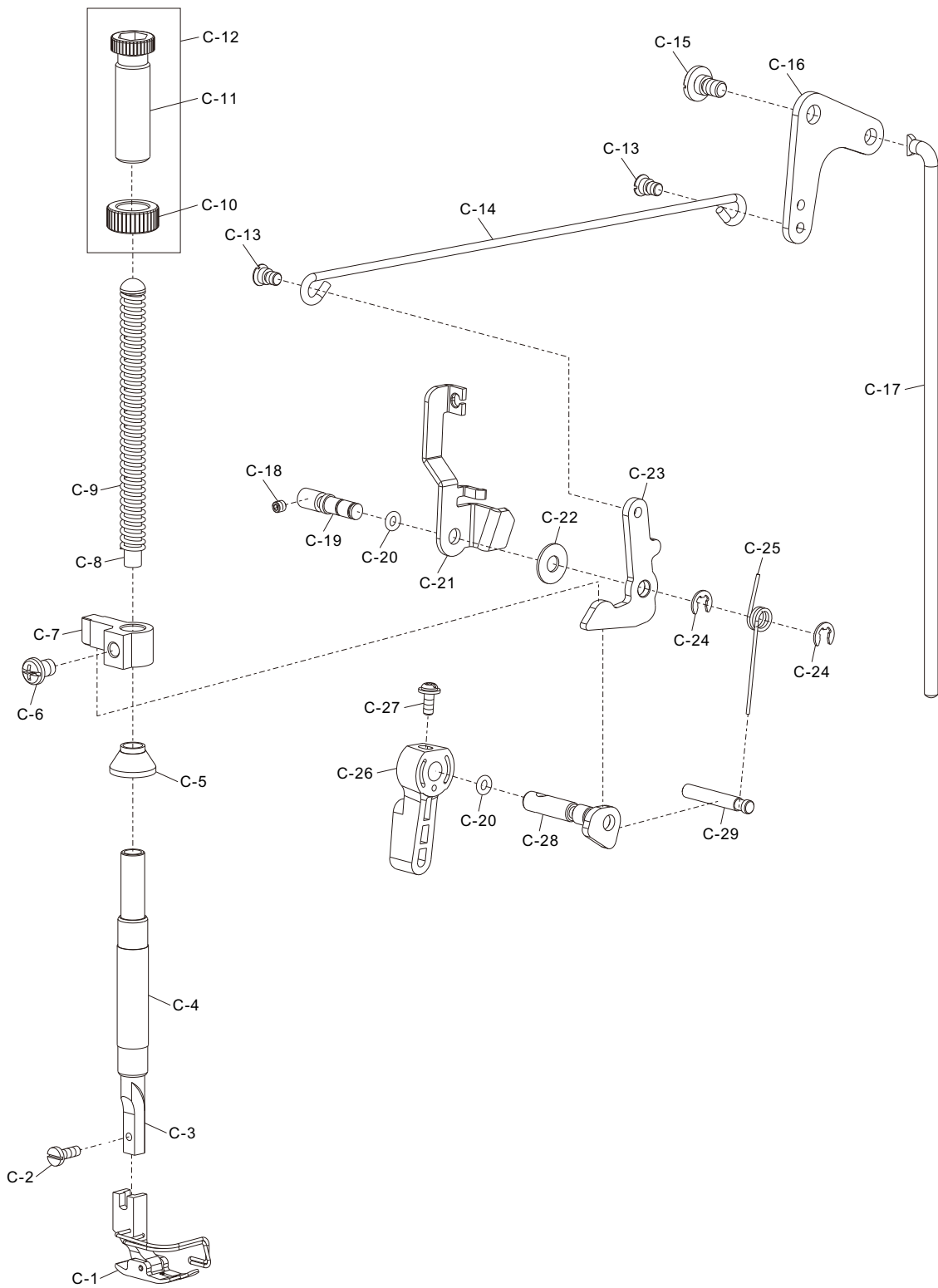
“*” Specific content need to consult customer service

B

上轴、挑线分组件

Main Shaft & Thread Take-up Cover Components







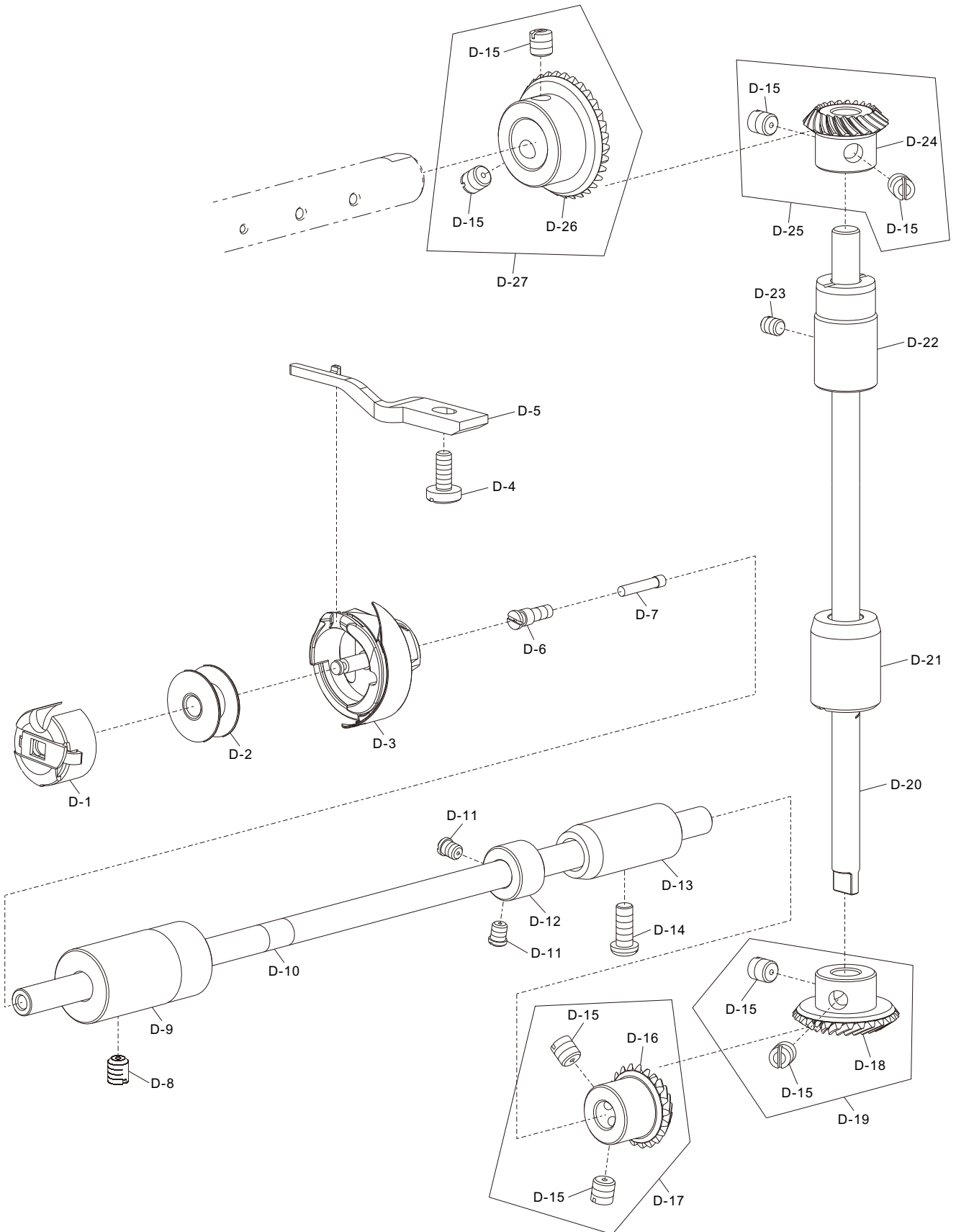
抬压脚分组件
Hang Lifter & Tension Release Components

序号 Ref. No.	件号 Part No.	名称	Name of part	数量 QTY	备注 Remark
C-1	10052532	压脚组件	Presser foot ASM.	1	
C-1	10005982	压脚组件	Presser foot ASM.	1	-5/H
C-2	10010650	SM9/64"×40螺钉	Screw SM9/64"×40	1	
C-3	10010646	压杆	Presser bar	1	
C-4	10014118	压杆轴套	Shaft sleeve	1	
C-4	10005915	压杆轴套	Shaft sleeve	1	-5/H
C-5	10011457	压紧杆防油罩	Oil protector cover	1	
C-6	10000325	M6×8螺钉	Screw M6×8	1	
C-7	10039365	压杆导架	Presser guide bar bracket	1	
C-8	10004439	调压导杆	Presser guide bar	1	
C-9	10004473	调压弹簧	Spring	1	
C-10	10062022	调压螺母	Nut	1	
C-11	10062021	调压螺钉	Screw	1	
C-12	10062052	调压螺钉组件	Screw ASM.	1	
C-13	10010651	SM3/16"×32螺钉	Screw SM3/16"×32	2	
C-14	10050189	抬压脚拉杆	Lifting lever connecting rod	1	
C-15	10010652	后杠杆轴位螺钉	Screw	1	
C-16	10053738	抬压脚后杠杆	Lifting lever link components	1	
C-17	10067486	抬压脚顶杆	Connecting rod vertical	1	
C-18	10009074	M4×4螺钉	Screw M4×4	1	
C-19	10039373	松线顶板销	Pin	1	
C-20	10010027	3.68×1.78 O形圈	O-ring 3.68×1.78	2	
C-21	10053739	松线顶板	Tension release plate	1	
C-22	10050590	平垫圈	Snap ring	1	
C-23	10050188	压脚升降板	Lifting lever	1	
C-24	10013038	5×0.8挡圈	Closing ring 5×0.8	2	
C-25	10052046	压脚升降板复位簧	Spring	1	
C-26	10062023	压脚扳手	Hand lifter	1	
C-27	10010016	SM9/64"×40螺钉	Screw SM9/64"×40	1	
C-28	10050190	压脚扳手凸轮部件	Hand lifter CAM ASM.	1	
C-29	10039374	限位销	Pin	1	

“*” 具体内容需向客服咨询
“*” Specific content need to consult customer service

D

勾线分组件 Hook Of Driving Shaft Components

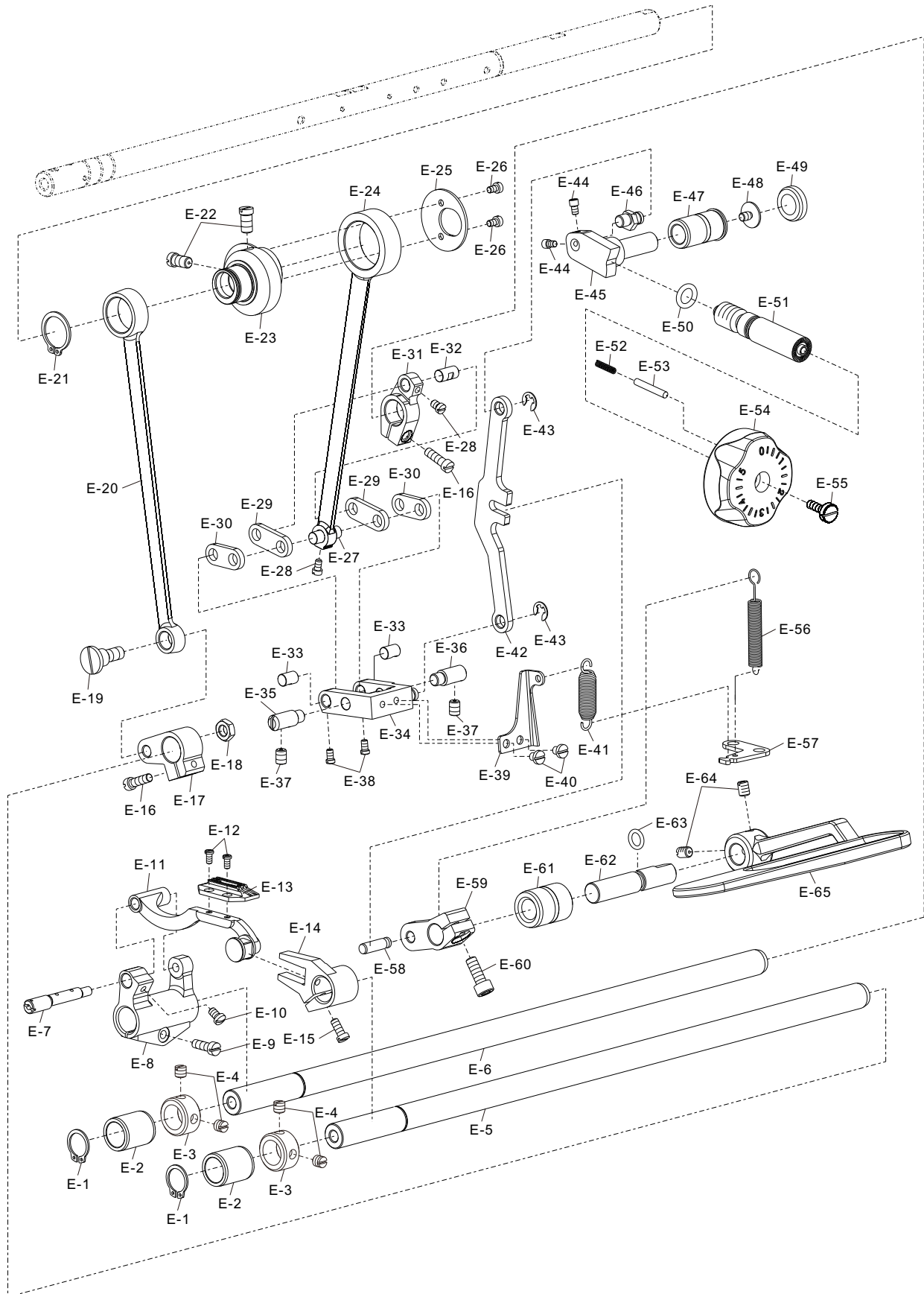




勾线分组件
Hook Of Driving Shaft Components

序号 Ref. No.	件号 Part No.	名称	Name of part	数量 QTY	备注 Remark
D-1	1007010	梭壳	Bobbin case	1	
D-2	10010060	梭芯	Bobbin	1	
D-3	10007388	旋梭	Hook	1	
D-4	10010066	SM11/64"×40螺钉	Screw SM11/64"×40	1	
D-5	10031260	旋梭定位钩	Positioning finger	1	
D-5	10029442	旋梭定位钩	Positioning finger	1	H
D-6	10010064	下轴限油螺钉	Screw	1	
D-7	10010063	油芯	Oil wick	1	
D-8	10010506	SM15/64"×28螺钉	Screw SM15/64"×28	1	
D-9	10058811	下轴前轴套	Shaft sleeve	1	
D-9	10023393	下轴前轴套	Shaft sleeve	1	H
D-10	10008821	下轴	Hook driving shaft	1	
D-10	10005985	下轴	Hook driving shaft	1	H
D-11	10010059	SM11/64"×40螺钉	Screw SM11/64"×40	2	
D-12	10010058	挡圈	Thrust collar	1	
D-13	10059385	下轴后轴套	Shaft sleeve	1	
D-14	10010030	SM3/16"×28螺钉	Screw SM3/16"×28	1	
D-15	10010065	SM1/4"×40螺钉	Screw SM1/4"×40	8	
D-16	10003937	下轴伞齿轮	Gear	1	
D-17	10002560	下轴伞齿轮组件	Gear ASM.	1	
D-18	10010029	竖轴下伞齿轮	Gear	1	
D-19	10002509	竖轴下伞齿轮组件	Gear ASM.	1	
D-20	10010057	竖轴	Upright shaft	1	
D-21	10048490	竖轴下轴套	Shaft sleeve	1	
D-22	10048488	竖轴上轴套	Shaft sleeve	1	
D-23	10008972	SM3/16"×28螺钉	Screw SM3/16"×28	1	
D-24	10010062	竖轴上伞齿轮	Gear	1	
D-25	10002561	竖轴上伞齿轮组件	Gear ASM.	1	
D-26	10010056	上轴伞齿轮	Gear	1	
D-27	10002445	上轴伞齿轮组件	Gear ASM.	1	

** 具体内容需向客服咨询
** Specific content need to consult customer service



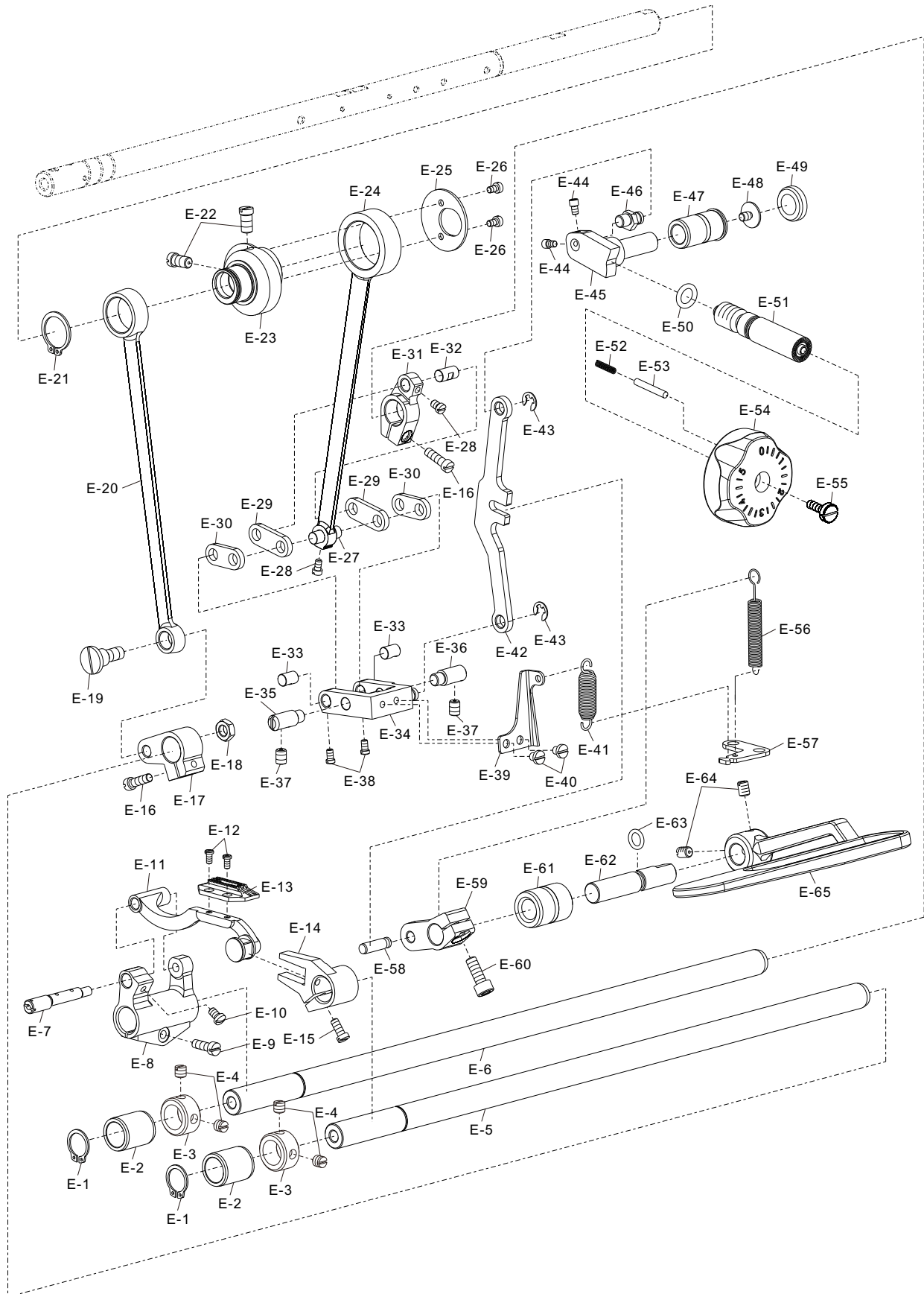


送料分组件
Feed Mechanism Components

序号 Ref. No.	件号 Part No.	名称	Name of part	数量 QTY	备注 Remark
E-1	10010090	13.8×1挡圈	Closing ring 13.8×1	2	
E-2	10014116	送料拾牙轴轴套	Shaft sleeve	2	
E-3	10010542	挡圈	Thrust collar	2	
E-4	10038073	SM1/4"×40螺钉	Screw SM1/4"×40	4	
E-5	10010097	拾牙轴	Feed driving shaft	1	
E-6	10010073	送料轴	Feed rocker shaft	1	
E-7	10004440	牙架座偏心销	Pin	1	
E-8	10004474	牙架座	Feed bar driving crank	1	
E-9	10004993	SM3/16"×28螺钉	Screw SM3/16"×28	1	
E-10	10010074	SM11/64"×40螺钉	Screw SM11/64"×40	1	
E-11	10067264	牙架部件	Feed bar ASM.	1	
E-12	10010099	SM1/8"×44螺钉	Screw SM1/8"×44	2	
E-13	10052531	送料牙	Feed dog	1	
E-13	10026357	送料牙	Feed dog	1	S7
E-13	10007322	送料牙	Feed dog	1	-5
E-13	10038413	送料牙	Feed dog	1	H
E-14	10010100	拾牙叉形曲柄	Crank	1	
E-14	10030200	拾牙叉形曲柄	Crank	1	S7/H
E-15	10004628	SM11/64"×40螺钉	Screw SM11/64"×40	1	
E-16	10010095	SM3/16"×28螺钉	Screw SM3/16"×28	2	
E-17	10010086	拾牙后曲柄	Crank	1	
E-18	10004475	SM9/32"×28螺母	Nut SM9/32"×28	1	
E-19	10010091	拾牙连杆轴位螺钉	Screw	1	
E-20	10010084	拾牙连杆	Connecting rod	1	
E-21	10010089	18.5×1.2挡圈	Closing ring 18.5×1.2	1	
E-22	10010092	SM1/4"×40螺钉	Screw SM1/4"×40	2	
E-23	10010115	送料偏心轮	Feed drive eccentric cam	1	
E-23	10005991	送料偏心轮	Feed drive eccentric cam	1	S7/H
E-24	10010072	送料连杆	Connecting rod	1	
E-24	10006004	送料连杆	Connecting rod	1	S7/H
E-25	10010098	送料偏心轮盖板	Thrust cover	1	
E-25	10005992	送料偏心轮盖板	Thrust cover	1	S7/H
E-26	10010643	SM9/64"×40螺钉	Screw SM9/64"×40	2	
E-27	10010069	送料连杆销	Pin	1	
E-28	10010071	SM9/64"×40螺钉	Screw SM9/64"×40	2	
E-29	10048696	送料长摆动板	Connecting plate	2	
E-30	10048736	送料短摆动板	Connecting plate	2	
E-31	10010076	送料曲柄	Crank	1	
E-32	10010096	送料曲柄销	Pin	1	
E-33	10010087	短摆动板连接销	Pin	2	
E-34	10010088	送料摆动板座部件	Feed adjusting ASM.	1	
E-34	10028750	送料摆动板座部件	Feed adjusting ASM.	1	S7/H
E-35	10010102	送料摆动板座右销	Pin	1	
E-36	10058783	送料摆动板座右销	Pin	1	
E-37	10010678	SM15/64"×28螺钉	Screw SM15/64"×28	2	
E-38	10010197	SM9/64"×40螺钉	Screw SM9/64"×40	2	
E-39	10010282	摆动板座复位板	Plate	1	

“*” 具体内容需向客服咨询

“*” Specific content need to consult customer service



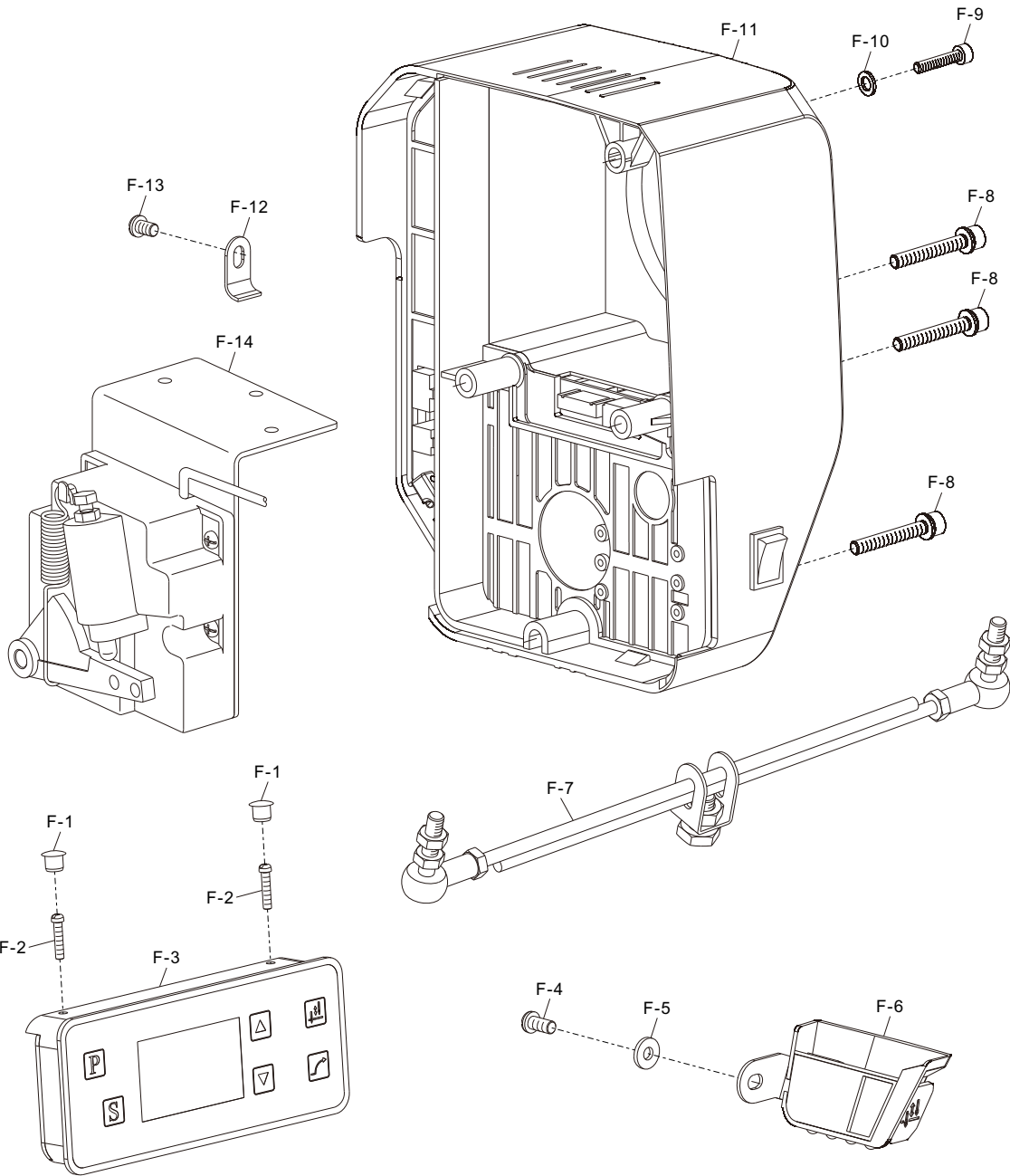


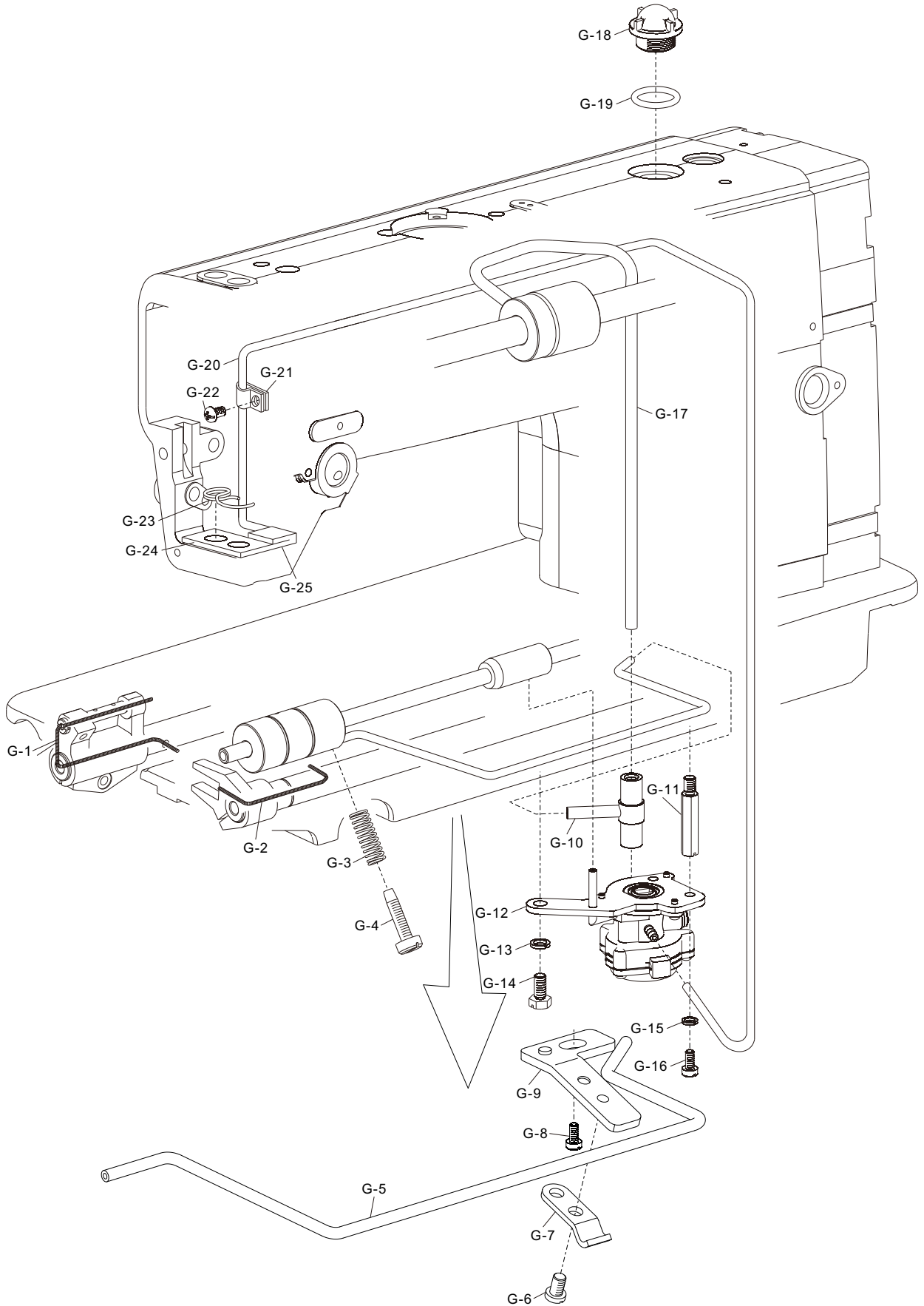
送料分组件

Feed Mechanism Components

序号 Ref. No.	件号 Part No.	名称	Name of part	数量 QTY	备注 Remark
E-40	10010285	SM11/64"×40螺钉	Screw SM11/64"×40	2	
E-41	10010284	摆动板座复位簧	Spring	1	
E-41	10012990	摆动板座复位簧	Spring	1	-5
E-41	20023528	摆动板座复位簧	Spring	1	S7/H
E-42	10064647	倒送料连杆	Feed adjust rod	1	
E-42	10065217	倒送料连杆	Feed adjust rod	1	S7/H
E-43	10010649	5.1×0.6挡圈	Closing ring 5.1×0.6	2	
E-44	10051742	SM9/64"×40螺钉	Screw SM9/64"×40	2	
E-45	10053433	送料调节器	Feed regulator	1	
E-45	10054536	送料调节器	Feed regulator	1	S7/H
E-46	10026886	偏心销	Pin	1	
E-47	10053434	送料调节器轴套	Shaft sleeve	1	
E-48	10010238	送料调节器轴端螺钉	Screw	1	
E-49	10008975	橡胶塞	Rubber plug	1	
E-50	10010240	9.2×2.7 O形圈	O-ring 9.2×2.7	1	
E-51	10062380	送料调节螺柱	Screw	1	
E-52	10013869	旋钮锁簧	Spring	1	
E-53	10013870	旋钮定位销	Pin	1	
E-54	10063088	送料距旋钮	Feed dial	1	
E-54	10063374	送料距旋钮	Feed dial	1	S7/H
E-55	10010281	SM3/16"×28螺钉	Screw SM3/16"×28	1	
E-56	10004430	倒送料拉簧	Spring	1	
E-56	10012991	倒送料拉簧	Spring	1	-5/S7/H
E-57	10010235	拉簧固定板	Plate	1	
E-57	10012987	拉簧固定板	Plate	1	-5
E-58	10010287	倒送料曲柄销	Pin	1	
E-59	10031548	倒送料曲柄	Crank	1	
E-59	10065216	倒送料曲柄	Crank	1	S7/H
E-60	10009008	倒送料曲柄螺钉	Screw	1	
E-61	10014119	倒送料轴轴套	Shaft sleeve	1	
E-62	10062033	倒送料轴	Reverse feed shaft	1	
E-63	10010243	7.8×2 O形圈	O-ring 7.8×2	1	
E-64	10040504	M6螺钉	Screw M6	2	
E-65	20023712	倒送料扳手	Reverse feed control lever	1	

“*” 具体内容需向客服咨询
“**” Specific content need to consult customer service

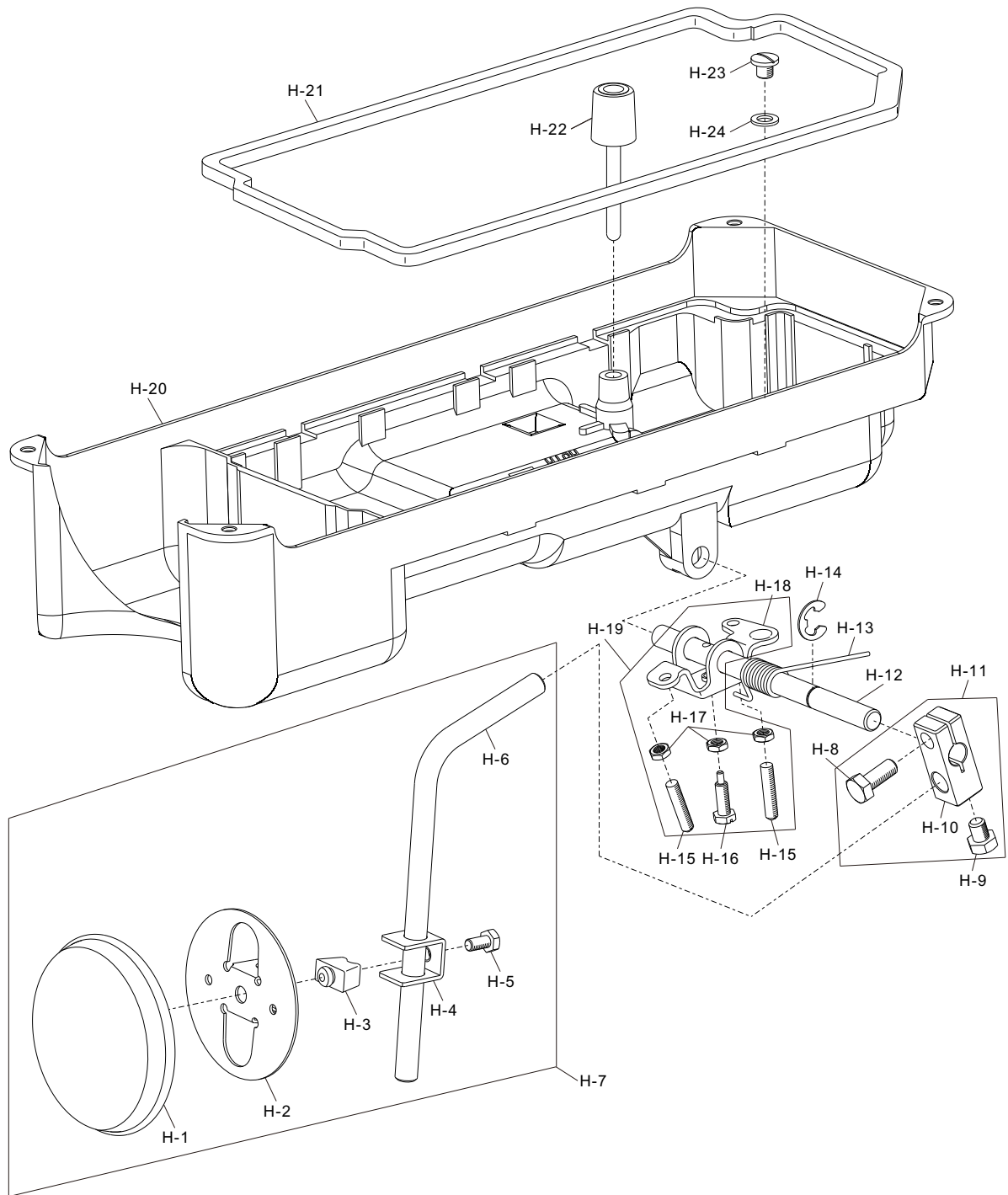






油盘、膝抬压脚分组件

Presser Foot Components Of Oil Plate Knee Lift





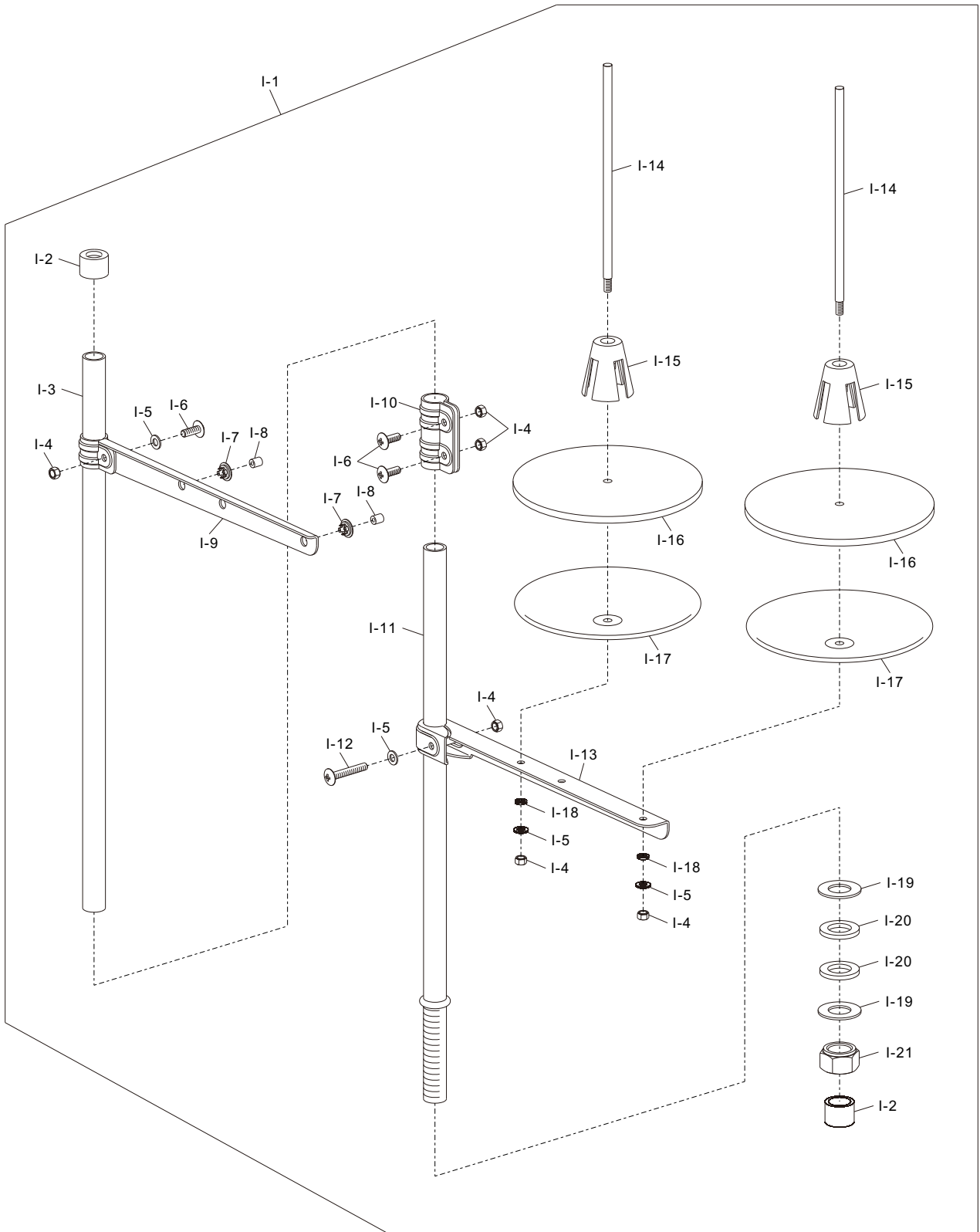
油盘、膝抬压脚分组件

Presser Foot Components Of Oil Plate Knee Lift

序号 Ref. No.	件号 Part No.	名称	Name of part	数量 QTY	备注 Remark
H-1	10004223	操纵板软垫	Knee pressing cover	1	
H-2	10003891	操纵板	Knee pressing plate	1	
H-3	10003900	操纵板垫	Knee pressing plate rubber	1	
H-4	10003897	操纵杆接头	Knee pressing plate holder	1	
H-5	10003894	SM15/64"×28螺钉	Screw SM15/64"×28	1	
H-6	10003901	操纵杆	Knee pressing plate rod	1	
H-7	10009985	操纵杆部件	Knee pressing plate ASM.	1	
H-8	10002613	M8×20螺钉	Screw M8×20	1	
H-9	10002610	M8×10螺钉	Screw M8×10	1	
H-10	10003896	抬压脚操纵杆接头	Connection	1	
H-11	10002562	抬压脚操纵杆接头组件	Connection ASM.	1	
H-12	10003899	抬压脚轴	Knee pressing shaft	1	
H-13	10003893	双向曲柄扭簧	Spring	1	
H-14	10002559	9.8×1挡圈	Closing ring 9.8×1	1	
H-15	10003895	M6×30螺钉	Screw M6×30	2	
H-16	10003898	双向曲柄螺钉	Screw	1	
H-17	10003890	M6×3.2螺母	Nut M6×3.2	3	
H-18	10009987	抬压脚双向曲柄	Crank	1	
H-19	10002563	抬压脚双向曲柄组件	Crank ASM.	1	
H-20	10056895	油盘	Oil reservoir	1	
H-21	10014194	油盘垫	Oil reservoir gasket	1	
H-22	10009984	抬压脚顶销	Pin	1	
H-23	10009991	SM5/16"×24螺钉	Screw SM5/16"×24	1	
H-24	10009988	7.8×13.5×1.3垫圈	Rubber ring 7.8×13.5×1.3	1	

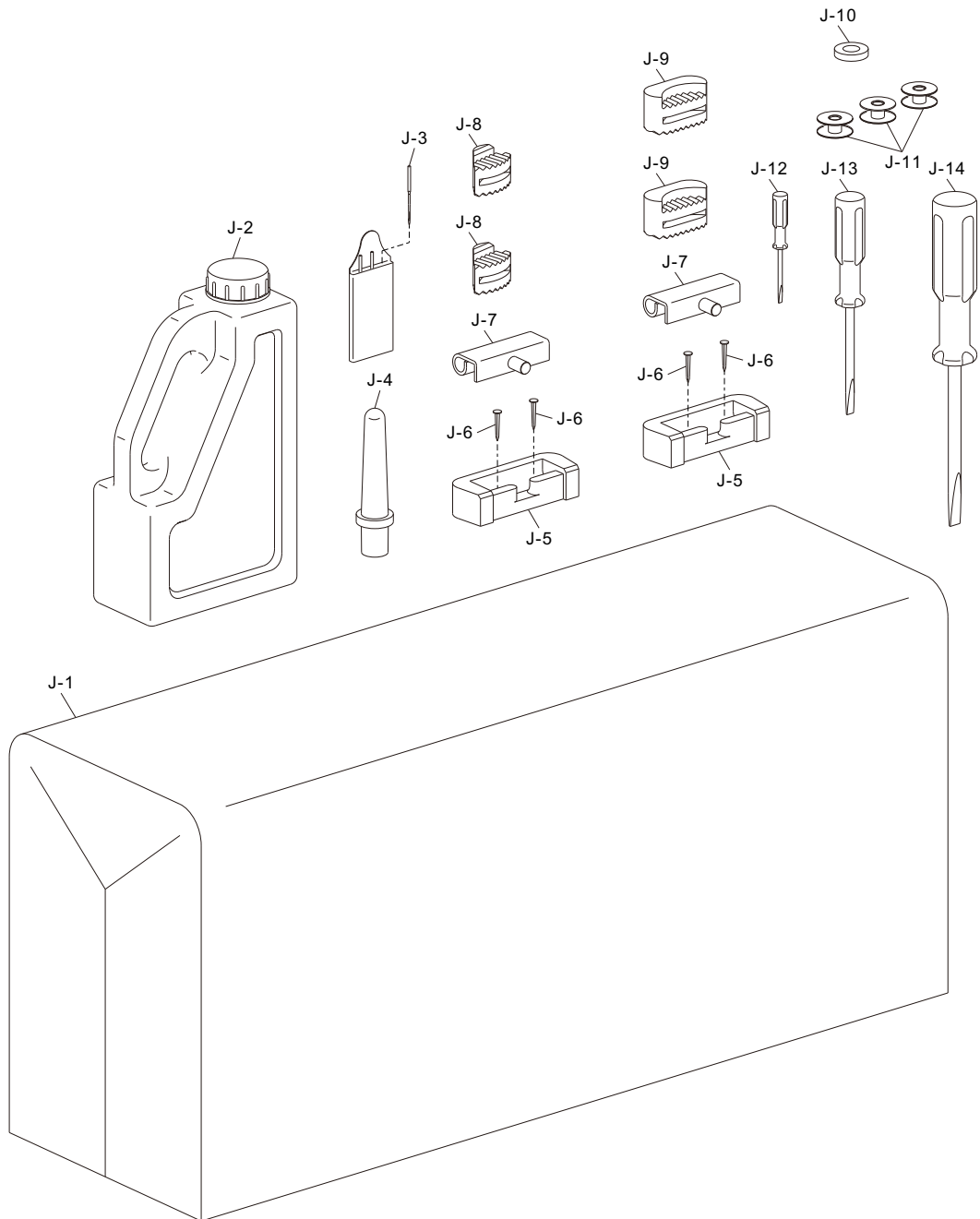
“*” 具体内容需向客服咨询
“*” Specific content need to consult customer service

过线架分组件 Components Of Thread-running Stand



J

附件 Auxiliaries



J

附件
Auxiliaries

序号 Ref. No.	件号 Part No.	名称	Name of part	数量 QTY	备注 Remark
J-1	10070677	机头罩	Head cover	1	
J-2	10060866	油箱	Oil bottle with oil	1	
J-3	10037628	DB×1 14#机针	Needle DB×1 14#	3	
J-3	10023286	DP×5 18#机针	Needle DP×5 18#	3	-5/H
J-4	10004514	机头支柱	Head pole	1	
J-5	10011041	机头连接钩座	Head connecting hook socket	2	
J-6	10003889	机头连接钩座钉	Nail	4	
J-7	10004466	机头连接钩部件	Head connecting hook	2	
J-8	10009986	油盘支座	Oil reservoir seat	2	
J-9	10009993	机头油盘座垫	Oil reservoir cushion	2	
J-10	10003892	油盘磁铁	Oil reservoir magnet	1	
J-11	10010060	梭芯	Bobbin	3	
J-12	10013185	小螺丝刀	Screw driver , small	1	
J-13	10010995	中螺丝刀	Screw driver , middle	1	
J-14	10010994	大螺丝刀	Screw driver , large	1	

“*” 具体内容需向客服咨询
“*” Specific content need to consult customer service