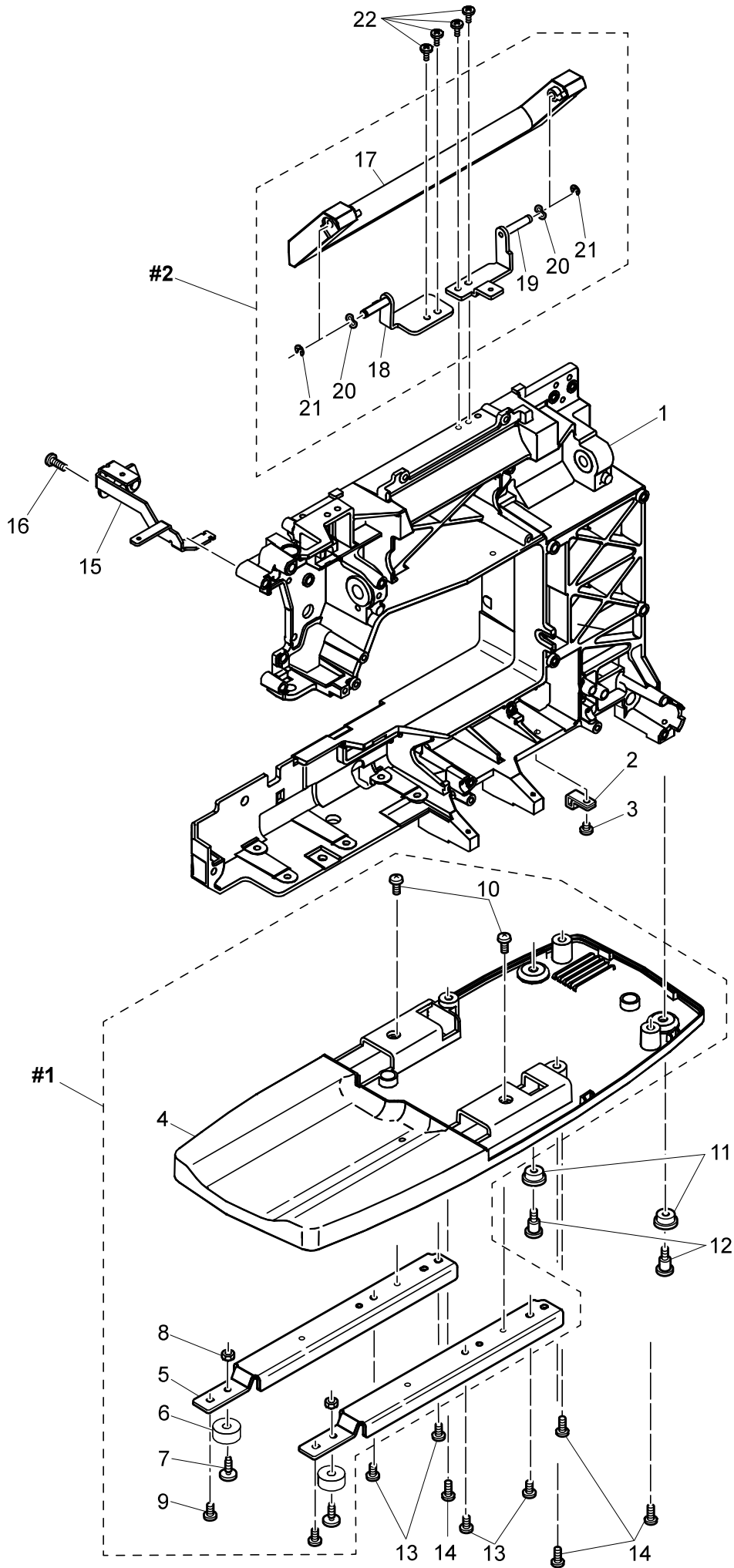


Parts List

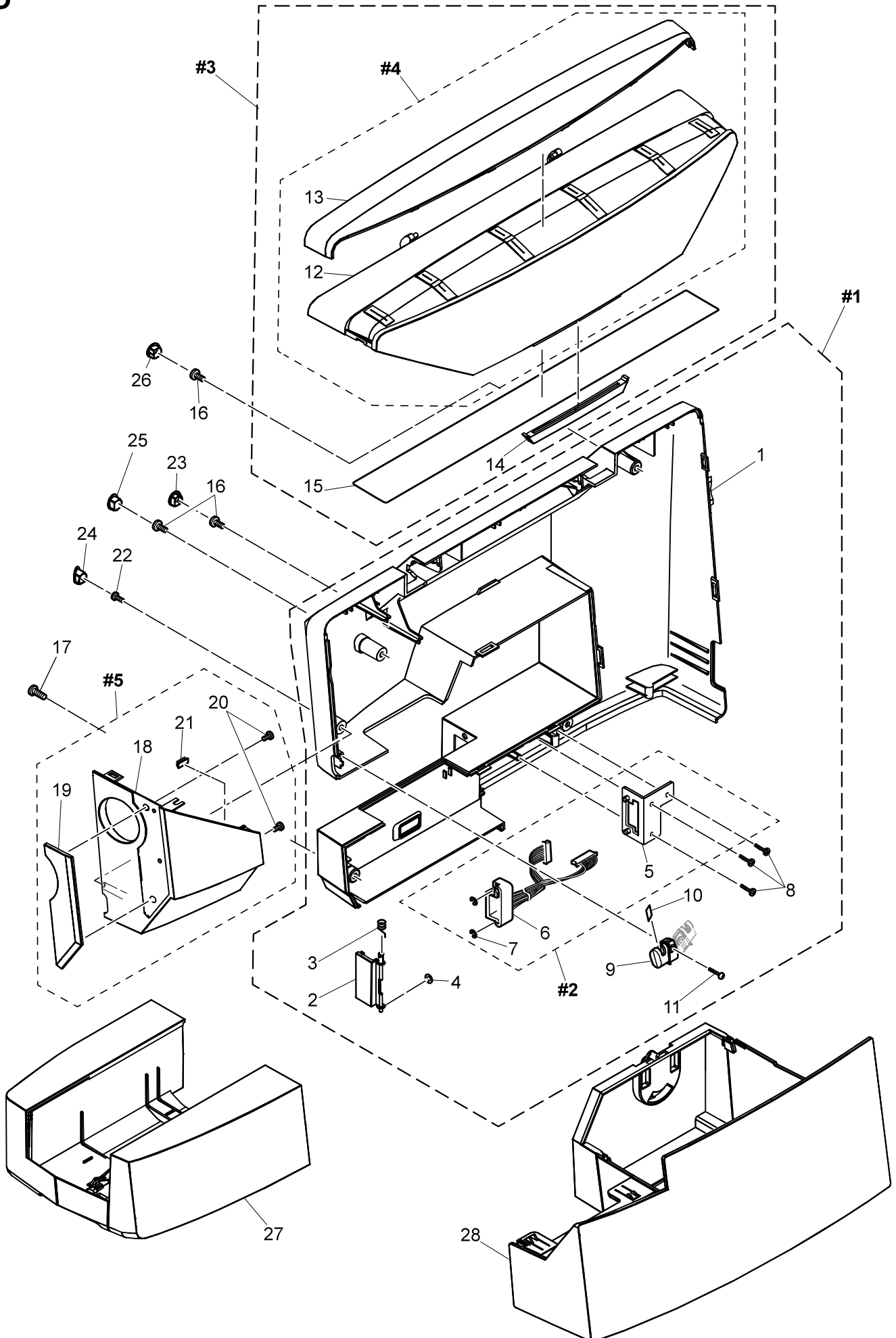
Designer Jade 35

A



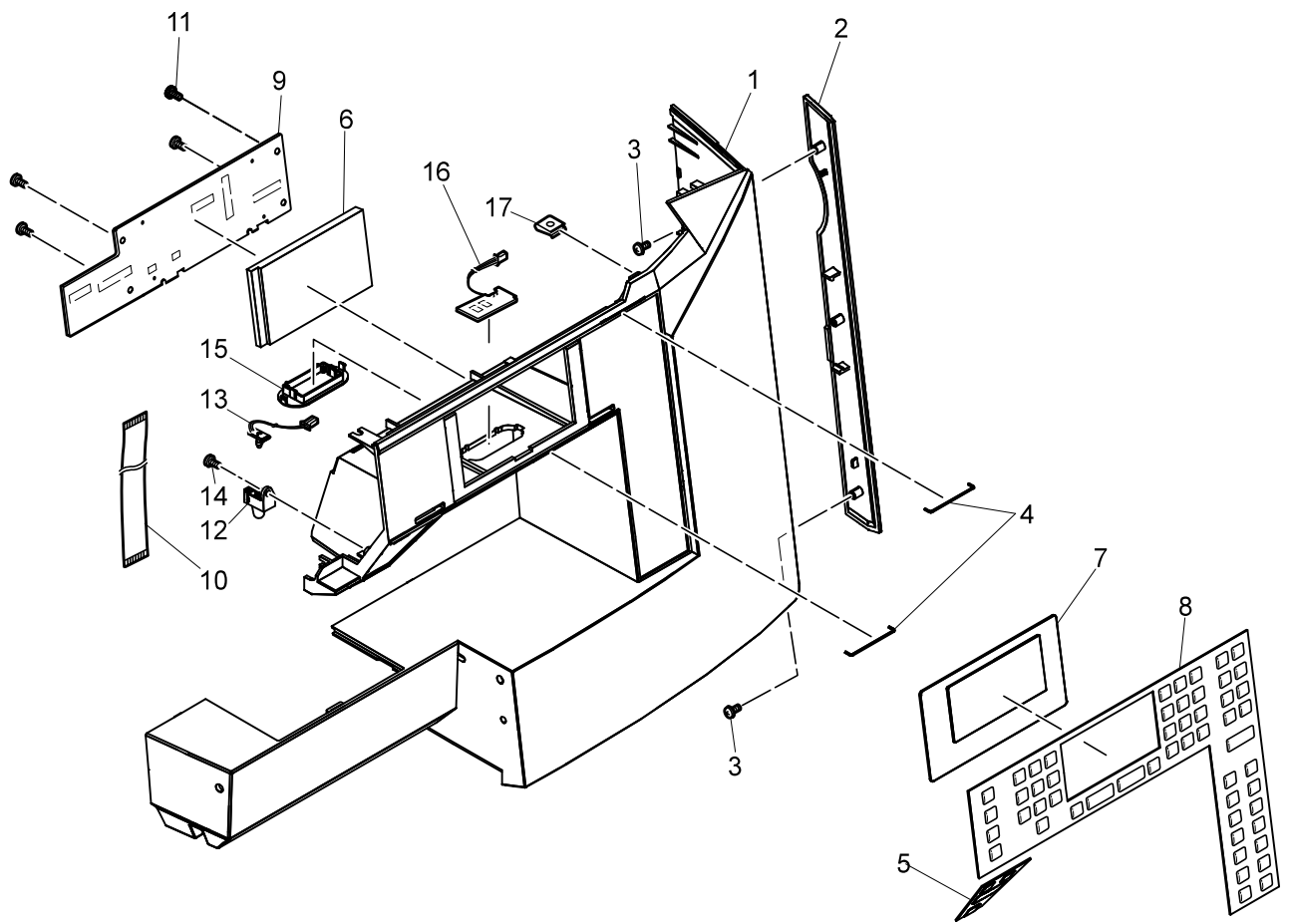
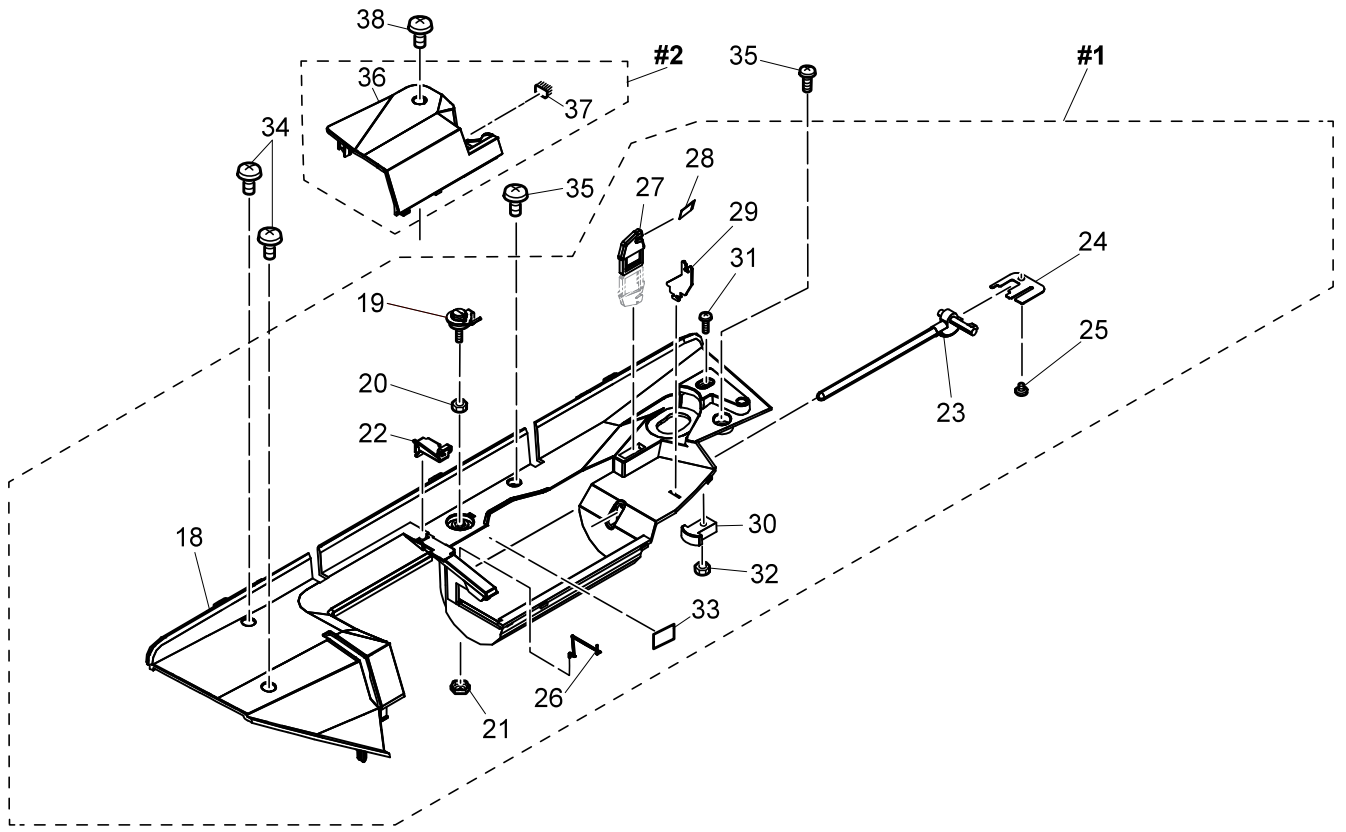
No.	Part No.	Description
#1	68002914	Base Assy.
#2	68002915	Handle Assy.
1	68001166	Machine Frame
2	68001228	Cord Holder
3	68001701	Set Screw M4*4
4	68013551	Base Cover
5	68001179	Base Supporting Plate
6	68000157	Rubber Foot (B)
7	68001184	Rubber Foot Adjusting Screw
8	68001187	Adjustable Lock Nut
9	68001188	Set Screw PT M4*8
10	68001191	Set Screw M4*8
11	68001194	Rubber Foot
12	68001196	Set Screw M4*15
13	68001191	Set Screw M4*8
14	68001198	Set Screw PT M4*10
15	68013553	Face Plate Mount Bracket
16	68001230	Set Screw M4*12
17	68013554	Handle
18	68013555	Handle Hinge (Left) Assy.
19	68013556	Handle Hinge (Right) Assy.
20	416402701	Wave Washer
21	416402801	Snap Ring
22	68001191	Set Screw M4*8

B



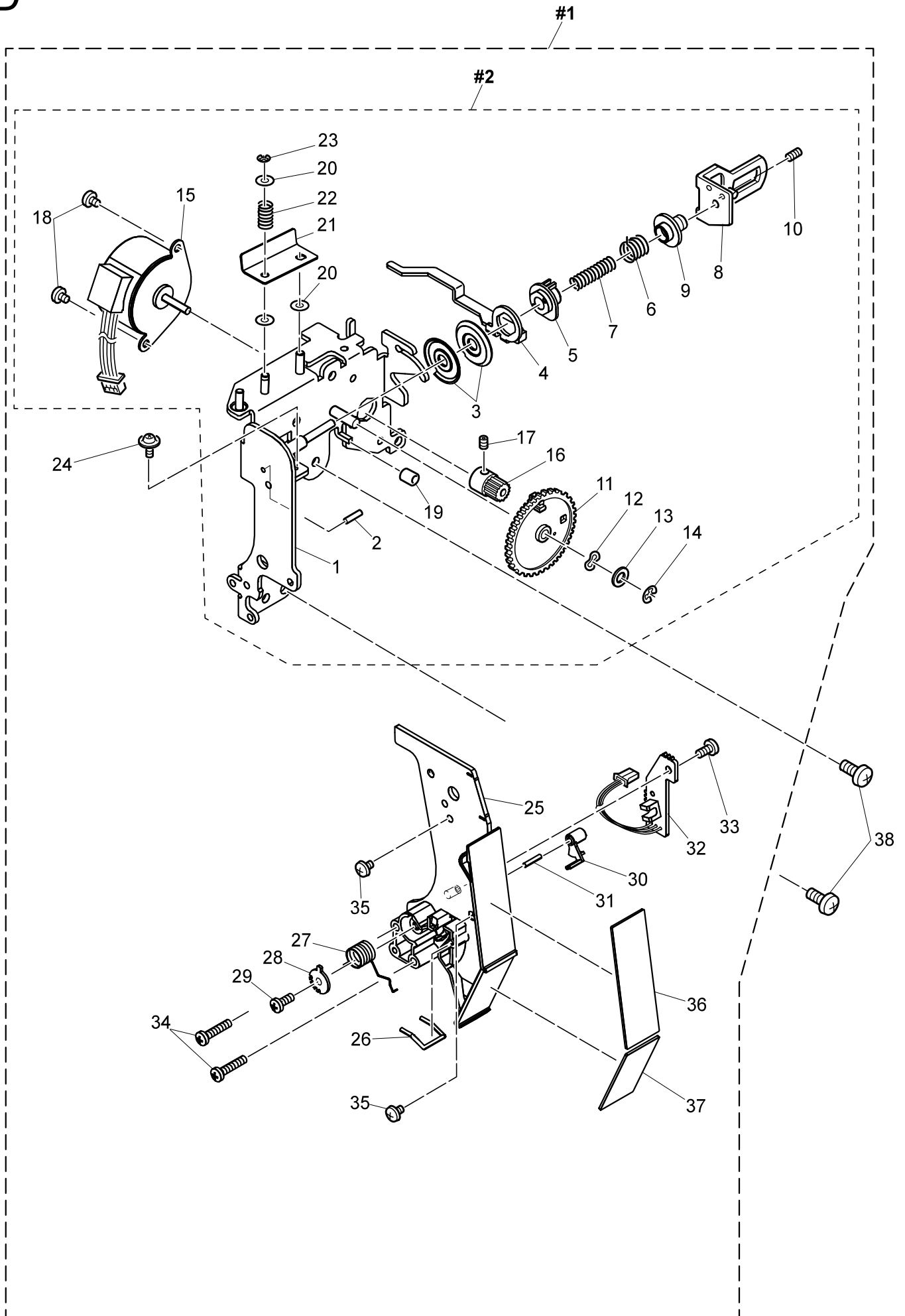
<u>No.</u>	<u>Part No.</u>	<u>Description</u>
#1	68002931	Rear Cover Assy.
#2	68001240	Embroidery Unit Connector Bracket Unit
#3	68014170	Flap Unit
#4	68002932	Flap Assy.
#5	68002933	Face Plate Assy.
1	68013583	Rear Cover
2	68002934	Embroidery Unit Connect Lid
3	68001239	Connect Lid Spring
4	416787101	Push Nut
5	68001241	Embroidery Unit Connect Bracket Assy.
6	68001245	Embroidery Unit Connect Assy.
7	68001286	Snap Ring
8	68001288	Set Screw PT M3*8
9	68002935	Thread Cutter Cover
10	412423701	Thread Cutter
11	68001844	Set Screw PT M3*12
12	68013584	Flap
13	68013560	Flap Panel
14	68013561	Flap Rubber
15	68013585	Pattern Chart Label
16	68001191	Set Screw M4*8
17	68001310	Set Screw M4*12
18	68013563	Face Plate
19	68013564	Face Plate Panel
20	68001207	Set Screw PT M3*6
21	270 HP33163	Brush
22	68001288	Set Screw PT M3*8
23	68002936	Screw Cap A
24	68002937	Screw Cap B
25	68002938	Screw Cap C
26	68002940	Screw Cap D
27	68002942	Extension Table Assy.
28	68002943	Storage Box Assy.

C



No.	Part No.	Description
#1	68002944	Unit Cover Assy. Ver.2
#2	68014174	Thread Tension Cover Assy.
1	68013586	Front Cover
2	68013566	Front Cover Panel
3	68001207	Set Screw PT M3*6
4	68002945	Needle Bar Bobbin Winder Thread Guide Wire
5	68002946	Membrane Switch (Main)
6	68001572	L.C.D
7	68002947	L.C.D Cover
8	68002948	Membrane Switch (L.C.D)
9	68002949	Junction Circuit Board Assy.
10	68001574	Flat Cable
11	68001207	Set Screw PT M3*6
12	68001575	LED Light Cover (A)
13	68001576	LED Board Assy.(A)
14	68001207	Set Screw PT M3*6
15	68001577	LED Light Cover (B)
16	68001578	LED Board Assy.(B)
17	68001579	Speed Nut
18	68013567	Unit Cover
19	68013783	Thread Guide Assy. Ver.2
20	68002533	Nut. Ver.2
21	68001544	Adjustable Lock Nut
22	68002950	Thread Guide
23	68001545	Spool Pin
24	68001546	Spool Pin Support Spring
25	68001547	Set Screw PT M3*5
26	68013569	Thread Guide Wire
27	68001554	Bobbin Winder Thread Cutter Cover
28	412423701	Thread Cutter
29	68013570	Needle Bar Bobbin Winder Thread Guide
30	68001551	Bobbin Winder Stop
31	68001553	Set Screw M3*8
32	68002533	Nut
33	68002628	Thread Spool Sticker
34	68001606	Set Screw M3*5
35	68001775	Set Screw M4*10
36	68002951	Thread Tension Cover
37	68001720	Brush
38	68001606	Set Screw M3*5

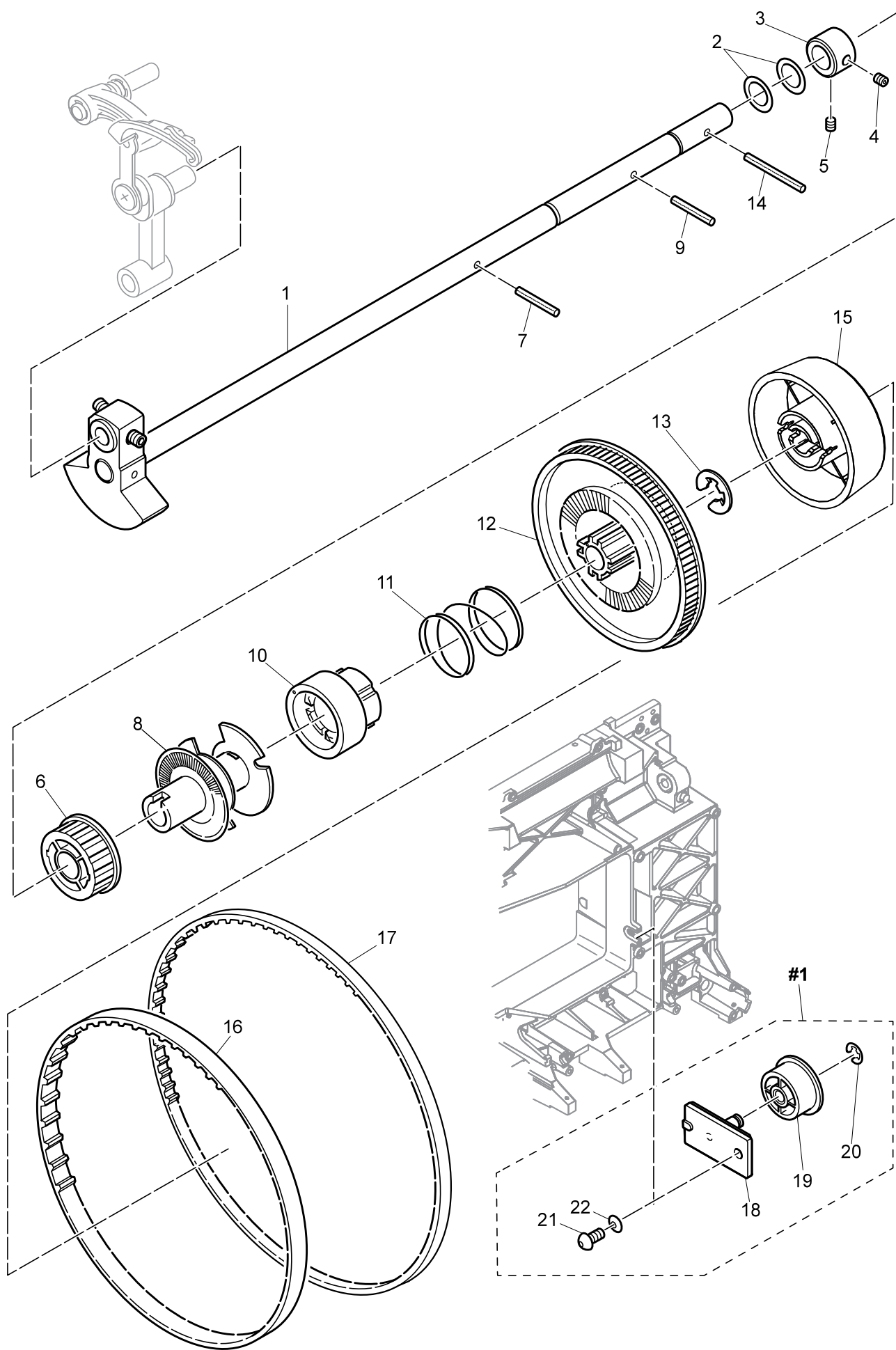
D



No.	Part No.	Description
#1	68002952	Thread Tension Regulator Unit
#2	68002667	Thread Tension Assy.
1	68002668	Thread Tension Base Assy.
2	68001585	Spring Pin
3	68001586	Thread Tension Disc
4	68001587	Thread Tension Releasing Plate
5	68001588	Tension Collar
6	416395701	Thread Tension Spring
7	416395601	Thread Tension Sub-spring
8	416788401	Thread Tension Plate Assy.
9	68001589	Tension Regulating Screw
10	68001602	Set Screw M3*6
11	416395801	Thread Tension Cam
12	68001590	Wave Washer
13	68001591	Washer
14	68001592	Snap Ring
15	416395901	Tension Release Pulse Motor
16	68001594	Pulse Motor Gear
17	68001597	Set Screw M3*3
18	68001598	Set Screw M3*3
19	416709201	Rubber Cushion
20	68001599	Polyslider
21	68001600	Pre-Tension Plate
22	68001601	Pre-Tension Spring
23	68001286	Snap Ring
24	68001603	Set Screw M3*6
25	68013575	Thread Take-Up Lever Cover
26	416396001	Thread Guide
27	416396101	Thread Check Spring
28	68001607	Check Spring Adjust Plate
29	68001288	Set Screw PT M3*8
30	68001609	Thread Sensor Slit
31	68001655	Thread Sensor Slit Fulcrum Shaft
32	68001656	Thread Sensor Board Assy.
33	68001547	Set Screw PT M3*5
34	68001608	Set Screw M3*14
35	68001606	Set Screw M3*5
36	68013587	Take-Up Lever Cover Panel (Upper)
37	68013589	Take-Up Lever Cover Panel (Lower)
38	68001191	Set Screw M4*8

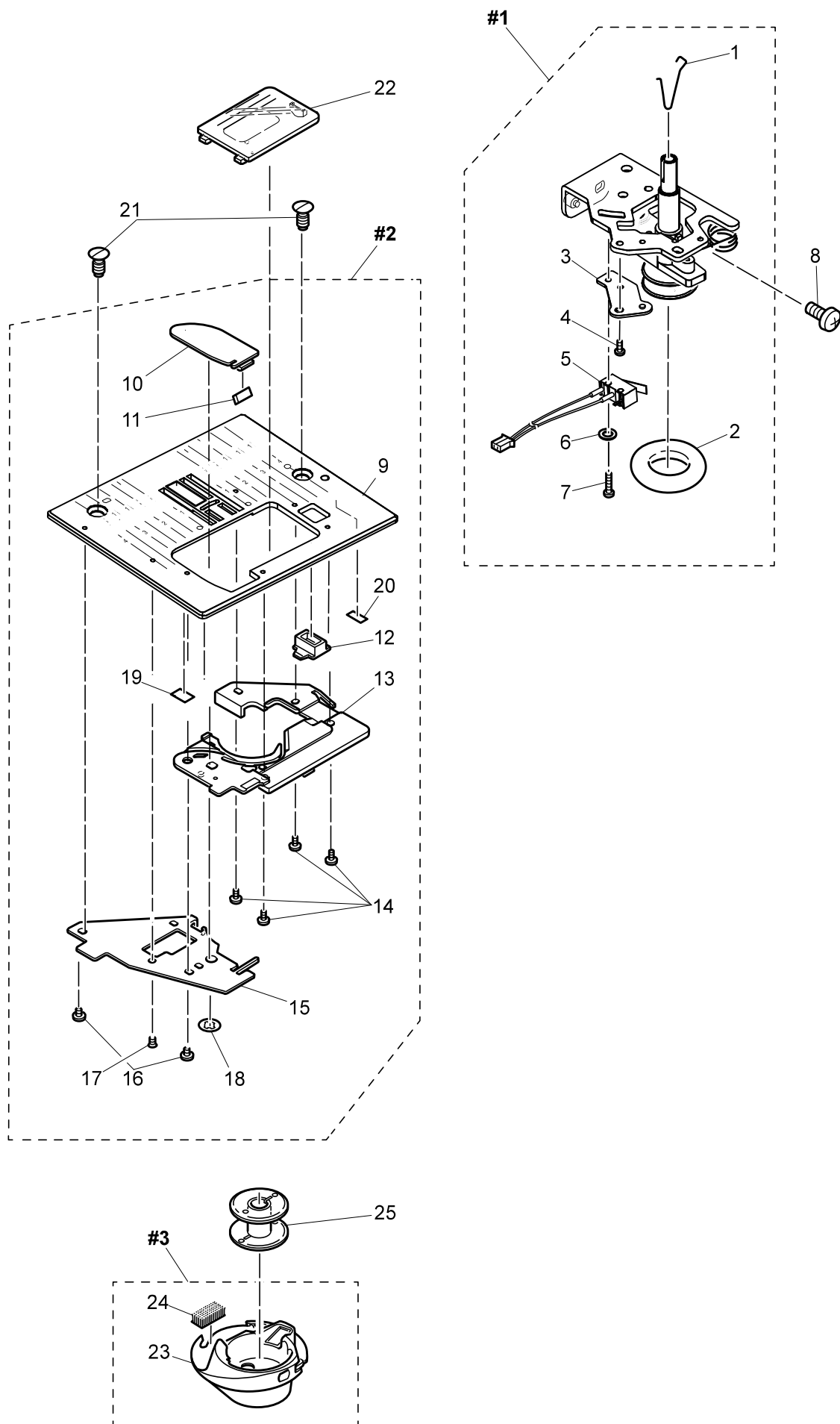
No.	Part No.	Description
#1	68002862	Needle Bar Guide Assy.
#2	68002675	Needle Bar Assy.
#3	68002953	Z Link Bracket Unit
#4	68002778	Presser Foot Lifter Bracket Unit. Ver.2
1	68002780	Needle Bar Guide
2	68002487	Threader Bar
3	68002491	Spring Pin
4	68001675	Threader Guide
5	68001676	Threader Holder Spring
6	68001677	Threader Hook Assy.
7	68001678	Threader Hook Screw
8	68001679	Needle Bar Guide Fulcrum Shaft (A)
9	68001681	Set Screw M4*4
10	68001682	Needle Bar Guide Fulcrum Shaft (B)
11	68001684	Snap Ring
12	68002494	Z Cam Follower
13	68002495	Needle Point Adjust Collar
14	416709801	Needle Point Limiting Shaft
15	68002496	Needle Bar
16	68002629	Needle Clamp Assy.
17	68002630	Needle Clamp Screw
18	270 HP32430	Set Screw M2.5*2.5
19	68001697	Needle Bar Clamp Assy.
20	68001698	Threader Guide Pin Assy.
21	68001563	Set Screw M3*5
22	68001699	Threader Bar Stopper Assy.
23	68001703	Set Screw M3*6
24	416709901	Needle Bar Clamp Spring
25	68001704	Z Link Shaft
26	68001705	Z Guide Spring
27	68001706	Needle Bar Clank Rod Assy.
28	68001707	Washer
29	68001708	Spring for Needle Bar Guide Assy.
30	68001709	Set Screw M4*10
31	68001187	Adjustable Lock Nut
32	68001720	Brush
33	68001191	Set Screw M4*8
34	68013444	Presser Foot Lifter Bracket
35	68001725	Presser Foot Lifter
36	68013445	Presser Foot Lifter Spring
37	68013446	Tension Release Connecting Plate Guide Spring
38	68001730	Presser Foot Switch Assy.
39	68013447	Tension Release Connecting Plate Assy.
40	68001191	Set Screw M4*8
41	68013448	Presser Bar Guide Bracket Spring
42	68001733	Presser Bar
43	68002688	Presser Bar Guide Bracket
44	68001735	Set Screw M5*5
45	68001736	Presser Bar Spring
46	416786901	Washer
47	68001737	Presser Bar Bush
48	68001738	Snap Ring
49	68002497	Presser Foot Screw
50		Needle
51	68002954	Presser Foot Holder
52	412764001	Standard Foot
53	68001743	Thread Take-Up Lever Assy.
54	416402401	Set Screw M4*14

F



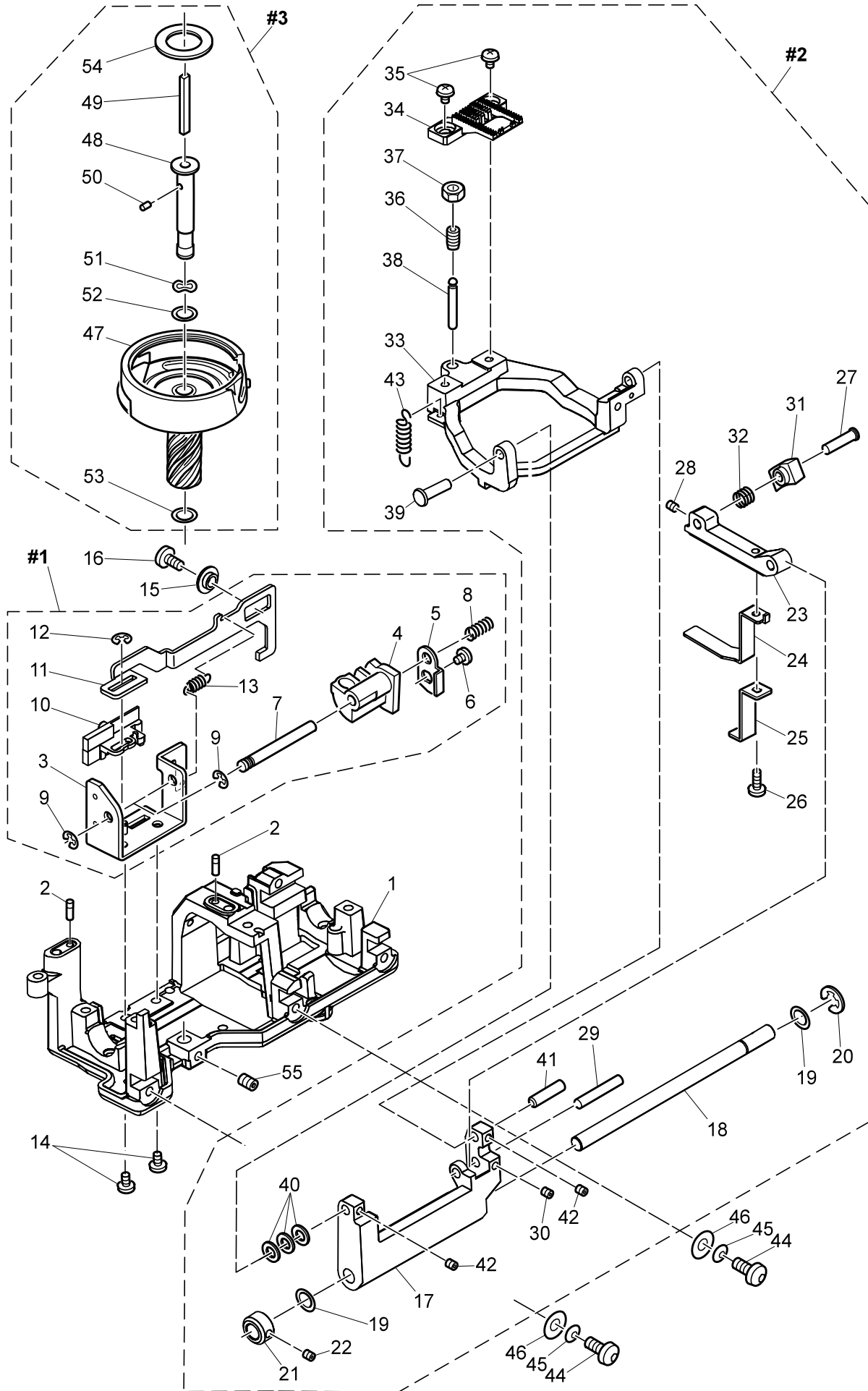
<u>No.</u>	<u>Part No.</u>	<u>Description</u>
#1	68001341	Belt Tension Assy.(Incl.18-22) Ver.2
1	68002605	Upper Shaft Assy.
2	68000148	Polyslider
3	68000151	Upper Shaft Collar
4	68000153	Set Screw M4*4
5	68001681	Set Screw M4*4
6	68001199	Upper Shaft Timing Pulley
7	416400401	Spring Pin
8	68001234	STS Slit
9	68001326	Spring Pin
10	68001328	Clutch Change Collar
11	68001331	Clutch Change Spring
12	68001333	Belt Wheel
13	270 HP30045	Snap Ring
14	416400501	Spring Pin
15	68002956	Hand Wheel
16	416400301	Timing Belt (Upper Shaft)
17	68001340	Timing Belt (Motor)
18	68001342	Belt Tension Bracket Assy.
19	68001344	Tension Pulley
20	416402801	Snap Ring
21	68002633	Set Screw M4*8
22	68002631	Spring Washer

G



<u>No.</u>	<u>Part No.</u>	<u>Description</u>
#1	68001347	Bobbin Winder Assy.
#2	68002957	Needle Plate Assy.
#3	68002958	Bobbin Holder Unit
1	68001349	Bobbin Winder Shaft Spring
2	68011273	Rubber Ring
3	68001352	Bobbin Winder Switch Bracket
4	416710101	Set Screw M2.5*4
5	68001355	Bobbin Winder Switch Assy.
6	68001356	Washer
7	68001357	Set Screw M2*8
8	68001191	Set Screw M4*8
9	68002868	Needle Plate
10	416789201	Thread Guide Plate
11	412423701	Thread Cutter
12	68001364	Slide Lever
13	416789301	Bobbin Cover Plate Holder
14	68001366	Set Screw M2*3
15	68013449	Bobbin Holder Stabilize Plate
16	68001379	Set Screw M2*2
17	416789701	Set Screw M2*2.8
18	416787101	Push Nut
19	68001381	Rubber Seat
20	416710801	Rubber Sheet
21	270 HP32743	Set Screw M4*8.5
22	68001385	Bobbin Cover Plate
23	68002499	Bobbin Holder Assy.
24	68013450	Brush
25	68001389	Bobbin

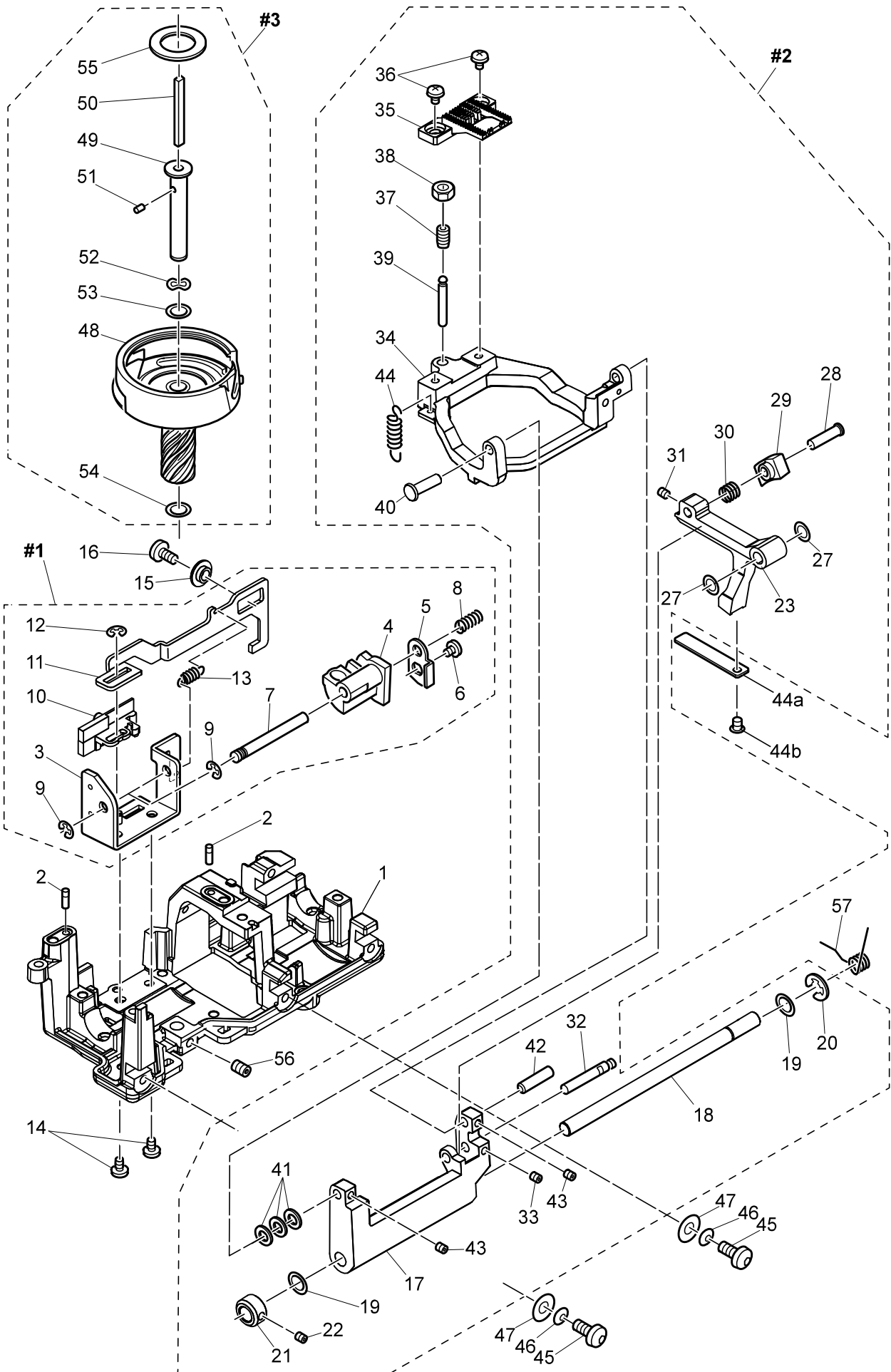
H1



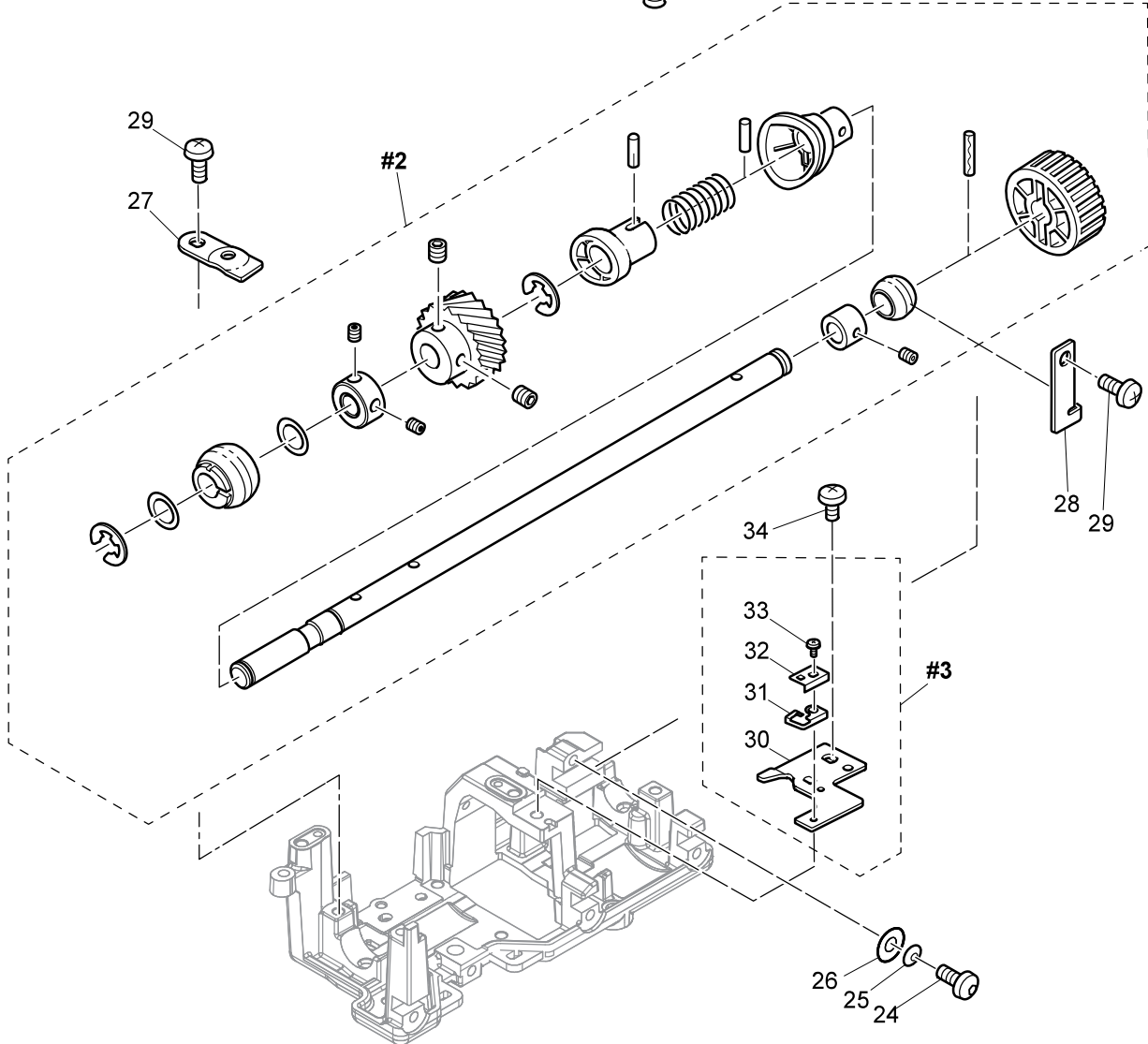
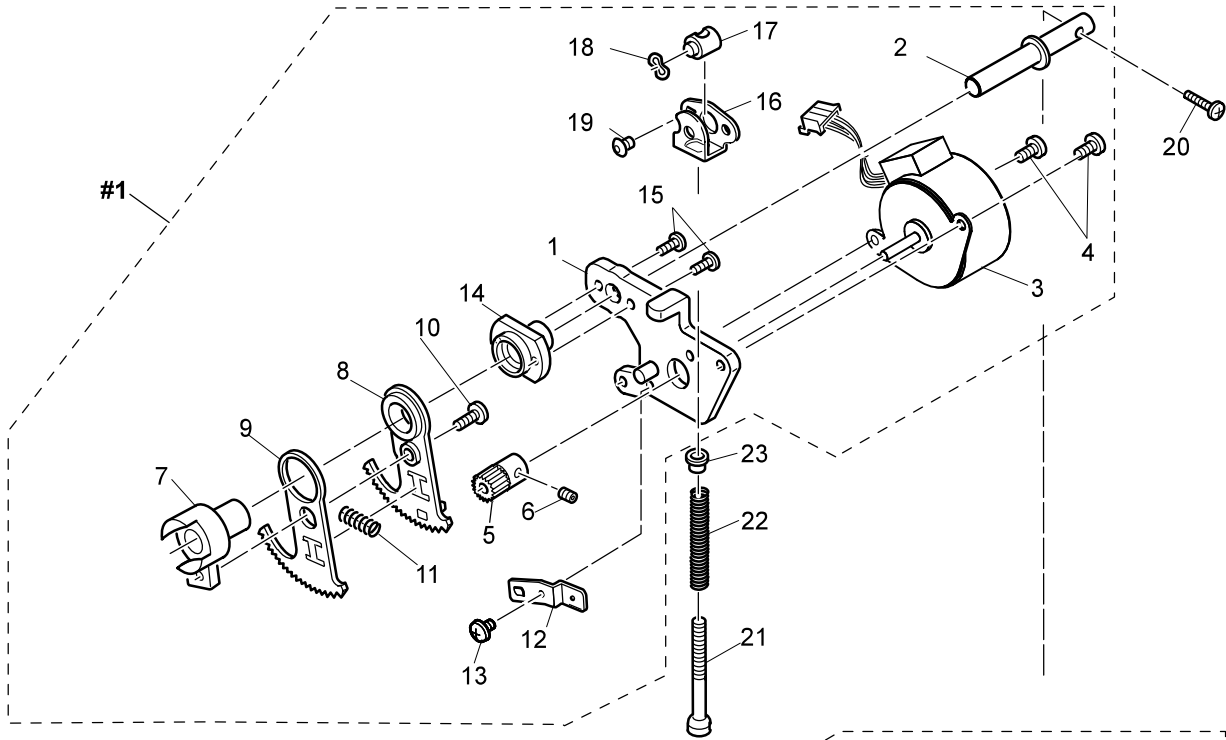
No.	Part No.	Description
#1	68001452	Feed Rocking Assy.
#2	68002959	Feed Assy.
#3	68001467	Hook Race Unit
36	416401301	Set Screw
37	416401401	Adjustable Nut
38	416401201	Feed Rocking Connecting Rod

H1

H2

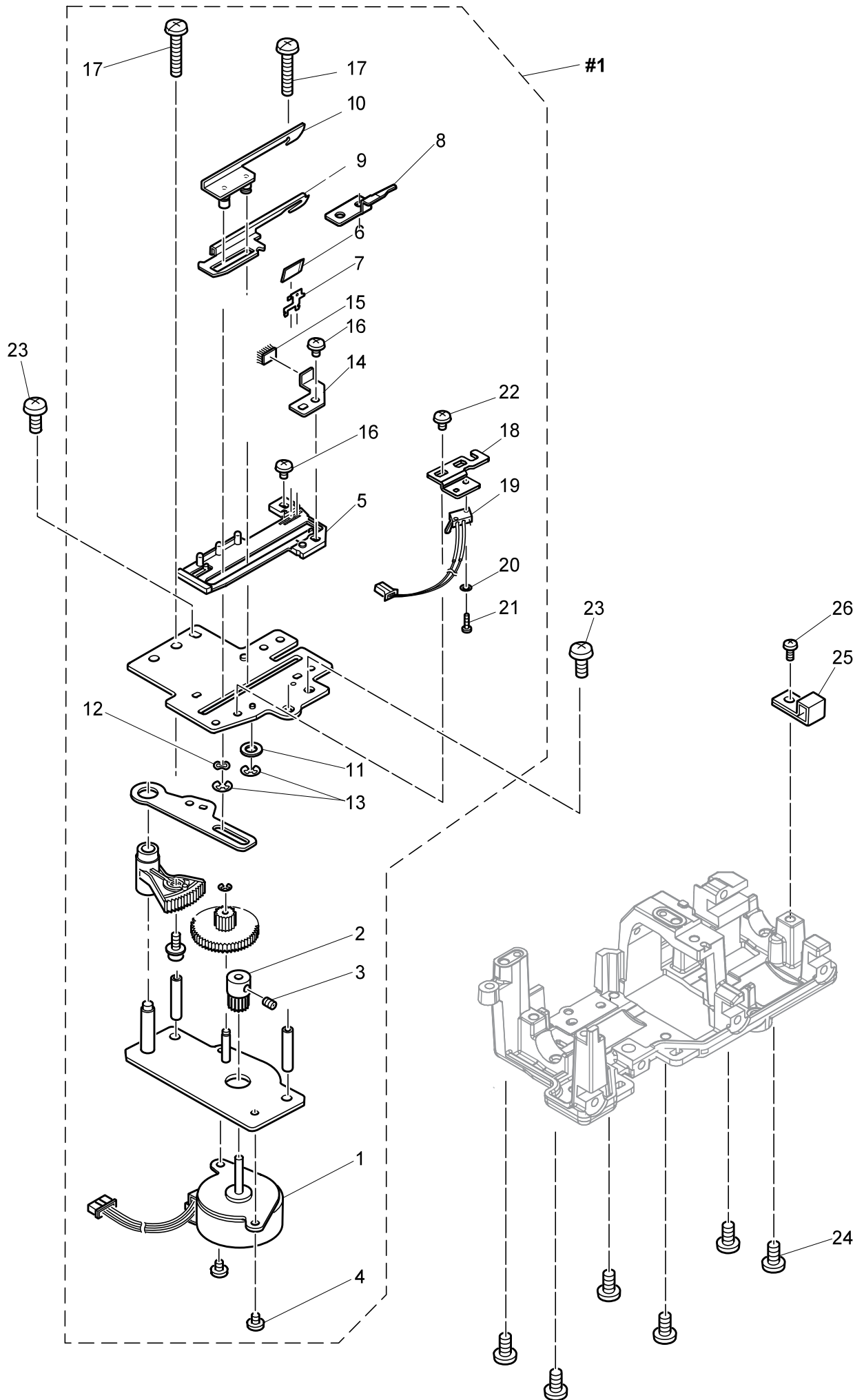


No.	Part No.	Description
#1	68001452	Feed Rocking Assy.
#2	68013508	Feed Assy. Ver.2
#3	68001467	Hook Race Unit
1	68013536	Bed Unit Base. Ver.2
2	68002501	Position Pin for Needle Plate
3	68002854	Feed Rocking Cam Follower Bracket Assy.
4	416711401	Feed Rocking Cam Follower
5	416711501	Feed Rocking Cam Follower Plate
6	68001547	Set Screw PT M3*5
7	416711601	Feed Rocking Cam Follower Shaft
8	68002855	Feed Rocking Cam Follower Spring
9	68001592	Snap Ring
10	68001454	Drop Feed Lever
11	68001462	Drop Feed Lever Link
12	68001286	Snap Ring
13	68002867	Drop Feed Link Spring
14	68001464	Set Screw M4*5
15	68001465	Collar
16	68001466	Set Screw M4*6
17	68013578	Feed Shaft Guide. Ver.2
18	68001398	Feed Shaft
19	68001399	Polyslider
20	68001400	Snap Ring
21	68013468	Feed Shaft Collar
22	68001597	Set Screw M3*3
23	68018418	Feed Cam Follower. Ver.2
27	68013481	Polyslider
28	68001408	Feed Slide Block Fulcrum Shaft
29	68010957	Feed Slide Block. Ver.2
30	68010955	Feed Slide Block Spring. Ver.2
31	68001597	Set Screw M3*3
32	68013482	Feed Cam Follower Fulcrum Shaft. Ver.2
33	68001597	Set Screw M3*3
34	68013579	Feed Base. Ver.2
35	416788301	Feed Dog
36	68001606	Set Screw M3*5
37	416401301	Set Screw
38	416401401	Adjustable Nut
39	416401201	Feed Rocking Connecting Rod
40	68001447	Feed Base Fulcrum Shaft (Left)
41	68001591	Washer
42	68018422	Feed Base Fulcrum Shaft (Right). Ver.2
43	68001597	Set Screw M3*3
44	68001449	Feed Rocking Cam Follower Spring
44a	68018423	Feed Cam Follower Spring. Ver.2
44b	416710301	Button Head Screw M3*4. Ver2
45	68002633	Set Screw M4*8
46	68002631	Spring Washer
47	68002634	Washer
48	270 HP30113	Hook Race Assy.
49	68002869	Hook Race Shaft
50	68013455	Oil Wick (1). Ver.2
51	68001472	Oil Wick (2)
52	68001856	Wave Washer. Ver.2
53	68001474	Polyslider
54	68001475	Polyslider
55	68001483	Magnet
56	68000153	Set Screw M4*4
57	68013484	Feed Shaft Guide Spring. Ver.2

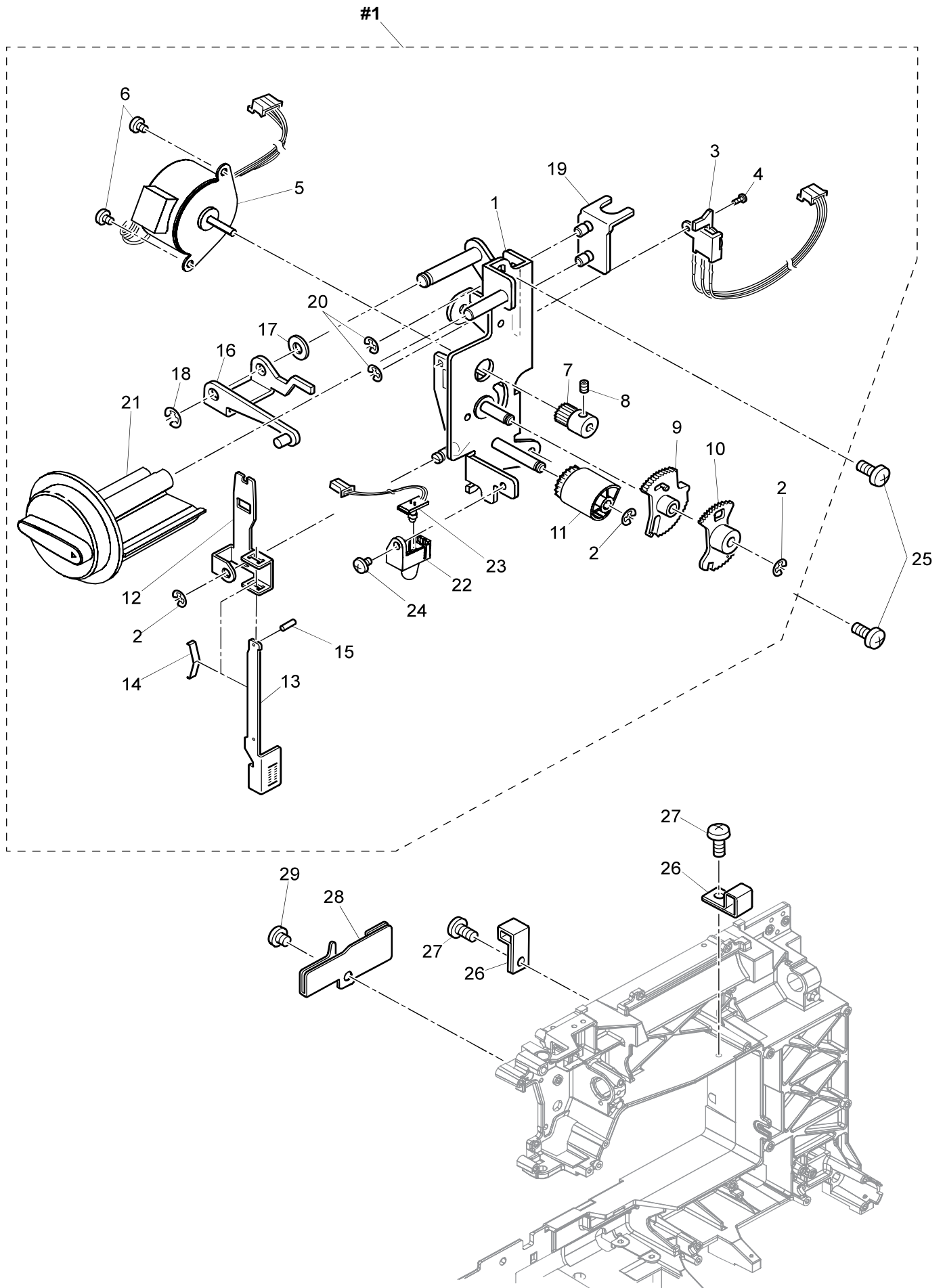


No.	Part No.	Description
#1	68001499	F Pulse Motor Assy. Ver.2
#2	68001527	Lower Shaft Assy.
#3	68001659	Bobbin Holder Stopper Assy.
1	68013485	F Pulse Motor Bracket Assy. Ver.2
2	68013494	Feed Regulator Shaft. Ver.2
3	68001509	F Pulse Motor
4	68013495	Set Screw M3*6
5	68001510	F Pulse Motor Gear
6	68001597	Set Screw M3*3
7	68013580	Feed Regulator. Ver.2
8	68001516	Feed Regulator Gear (A)
9	68001517	Feed Regulator Gear (B)
10	68001553	Set Screw M3*8
11	68001520	Feed Regulator Gear Spring
12	68001521	Pulse Motor Bracket Plate
13	68001598	Set Screw M3*3
14	68013496	Feed Regulator Holder. Ver.2
15	68013497	Set Screw M2.5*6. Ver.2
16	68001523	Feed Fine Adjustment Screw Nut Support Plate. Ver.2
17	68001524	Forward-Reverse Feed Fine Adjustment Screw Nut. Ver.2
18	68001590	Wave Washer. Ver.2
19	416710301	Set Screw M3*4. Ver.2
20	68013498	Set Screw M2.5*10. Ver.2
21	68001525	Forward-Reverse Feed Fine Adjustment Screw
22	68001526	Forward-Reverse Feed Fine Adjustment Spring
23	68018426	Forward-Reverse Feed Fine Adjustment Spring Collar. Ver.2
24	68002633	Set Screw M4*8
25	68002631	Spring Washer
26	68002634	Washer
27	68001596	Ball Bushing Holder (Left)
28	68001658	Ball Bushing Holder
29	68001191	Set Screw M4*8
30	68001660	Bobbin Holder Stopper Bracket
31	68001662	Bobbin Holder Stopper Spring
32	68001667	Bobbin Holder Stopper Spring Cover
33	68001366	Set Screw M2*3
34	68002502	Set Screw M4*6

J

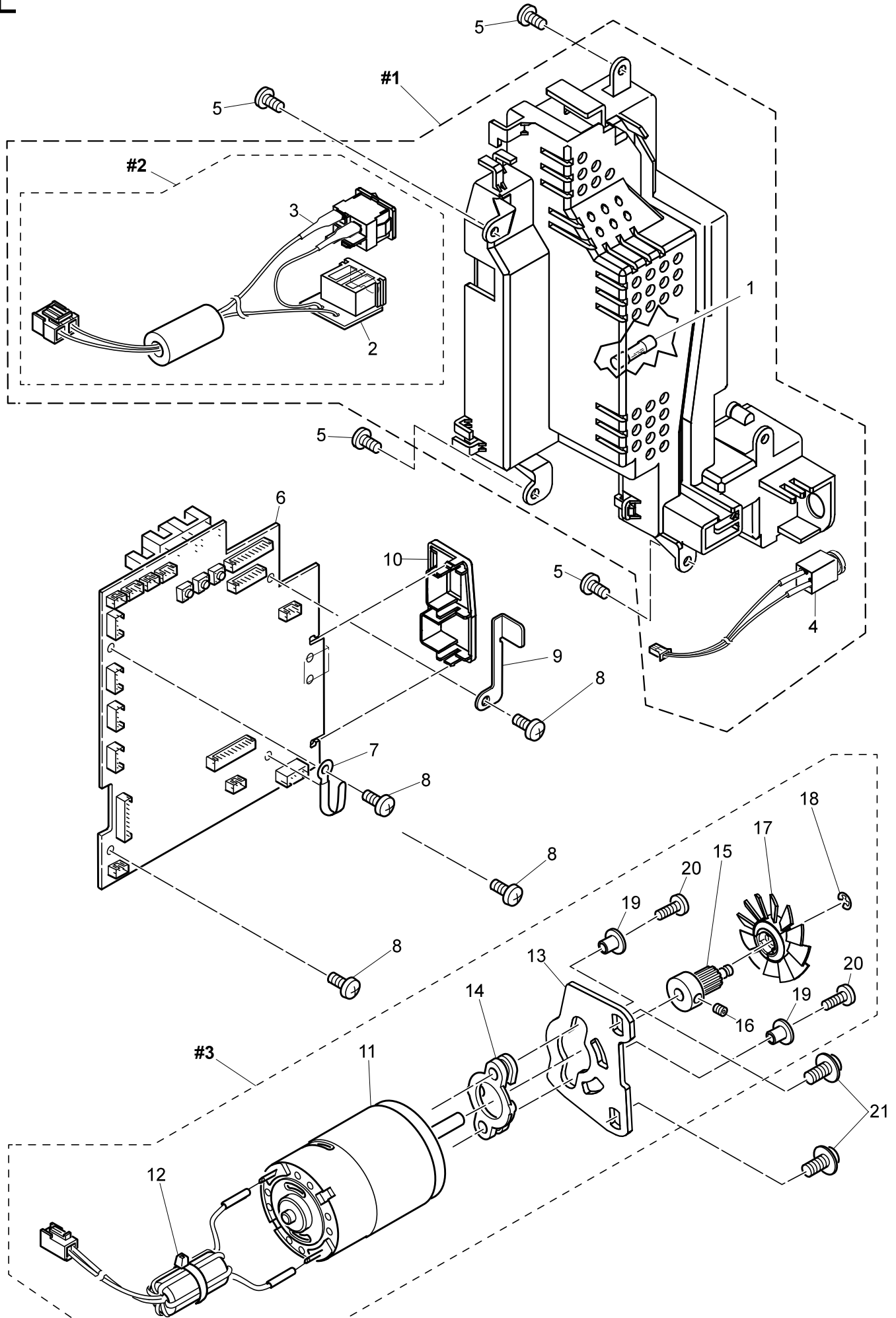


No.	Part No.	Description
#1	68002960	Thread Cutter Assy. Ver.2
1	68001346	Thread Cutter Pulse Motor
2	68001594	Pulse Motor Gear
3	68001597	Set Screw M3*3
4	68001598	Set Screw M3*3
5	68013465	Thread Cutter Holding Base
6	412423701	Thread Cutter
7	68005912	Thread Divider
8	68001383	Thread Catcher Holding Plate (Not Included In Version 2)
9	68005911	Thread Catcher A
10	68005910	Thread Catcher B Assy.
11	68001591	Washer
12	68001712	Wave Washer
13	68001592	Snap Ring
14	416826401	Thread Holding Bracket
15	416789901	Brush
16	68001606	Set Screw M3*5
17	68001395	Set Screw M4*22
18	68001409	Thread Cutter Switch Bracket
19	68001411	Thread Cutter Switch Assy.
20	416710401	Washer
21	68001731	Set Screw M1.7*6
22	68001598	Set Screw M3*3
23	68001191	Set Screw M4*8
24	68001191	Set Screw M4*8
25	68001228	Cord Holder
26	68001191	Set Screw M4*8



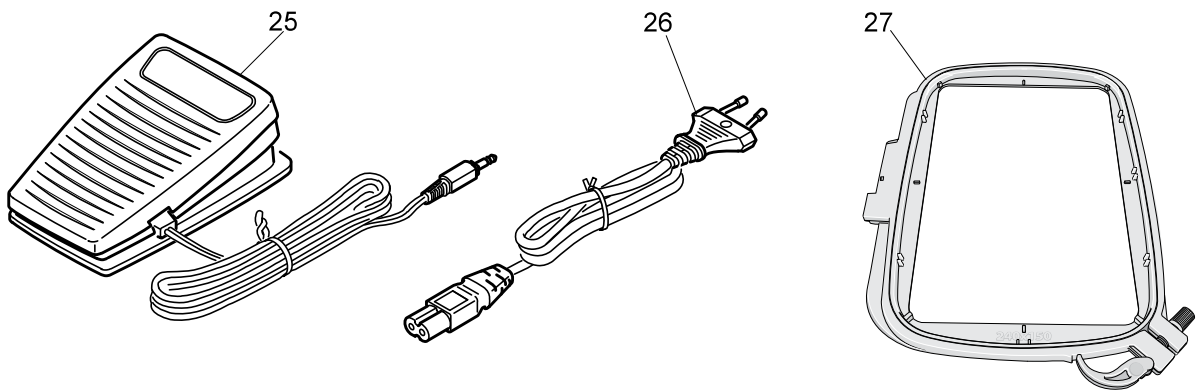
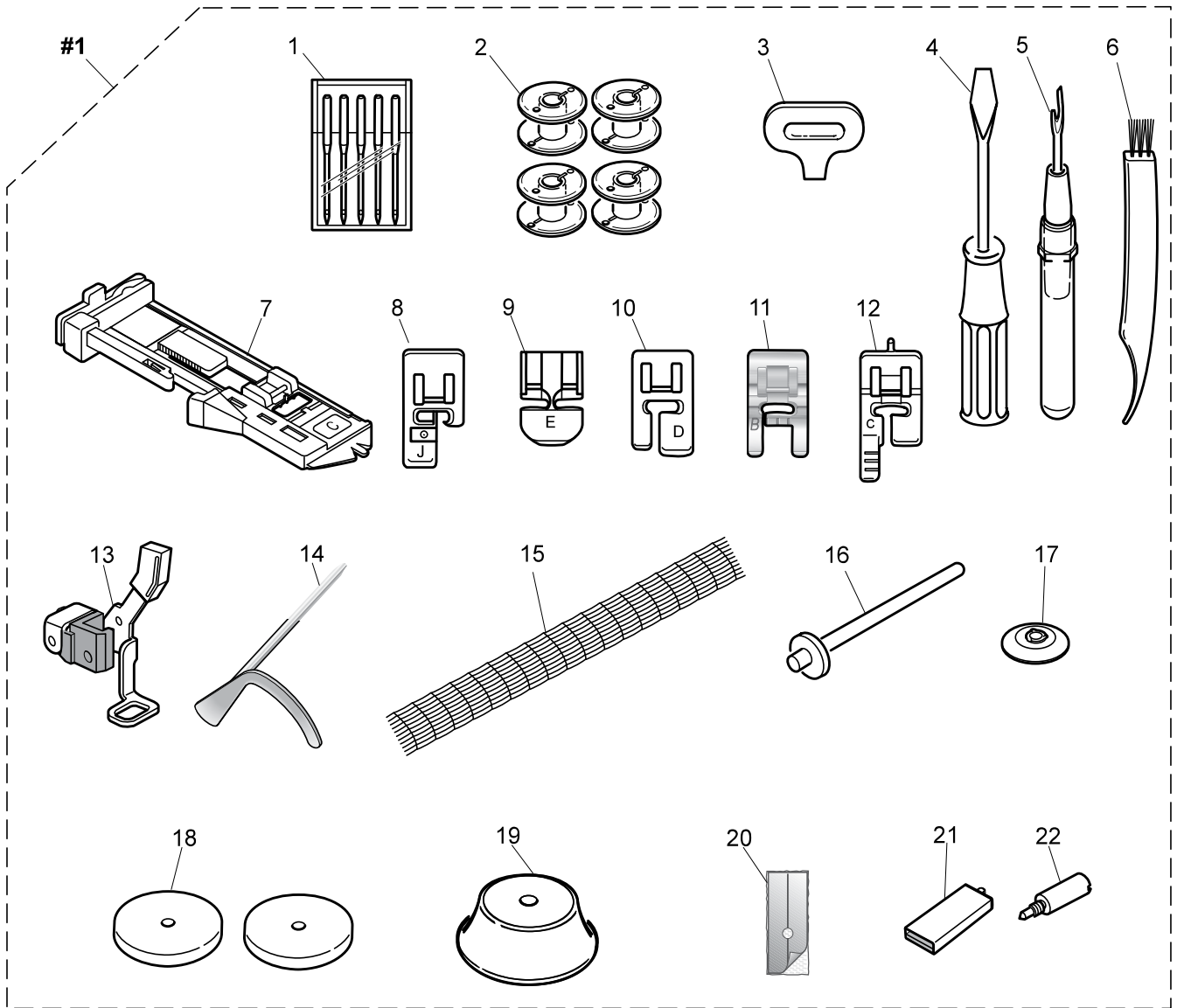
<u>No.</u>	<u>Part No.</u>	<u>Description</u>
#1	68002961	Z Pulse Motor Assy.
1	68002817	Z Pulse Motor Bracket Assy
2	68001592	Snap Ring
3	68001750	BH Switch Assy.
4	416710101	Set Screw M2.5*4
5	68001752	Z Pulse Motor
6	68001598	Set Screw M3*3
7	68001594	Pulse Motor Gear
8	68001753	Set Screw M3*4
9	68001754	Center Gear (A)
10	68001765	Center Gear (B)
11	68001755	Z Cam
12	68001756	BH Plate
13	68001757	BH Lever
14	68001758	BH Lever Spring
15	68001759	Spring pin
16	68001760	Pressure Regulator Cam Follower Assy.
17	68001761	Washer
18	416402801	Snap Ring
19	68001762	Pressure Regulator Plate Assy.
20	68001592	Snap Ring
21	68013581	Pressure Regulator Dial
22	68001575	LED Light Cover (A)
23	68001764	LED Board Assy(C)
24	68001606	Set Screw M3*5
25	68001191	Set Screw M4*8
26	68001228	Cord Holder
27	68001191	Set Screw M4*8
28	68001700	Cable Clamp
29	68001701	Set Screw M4*4

L

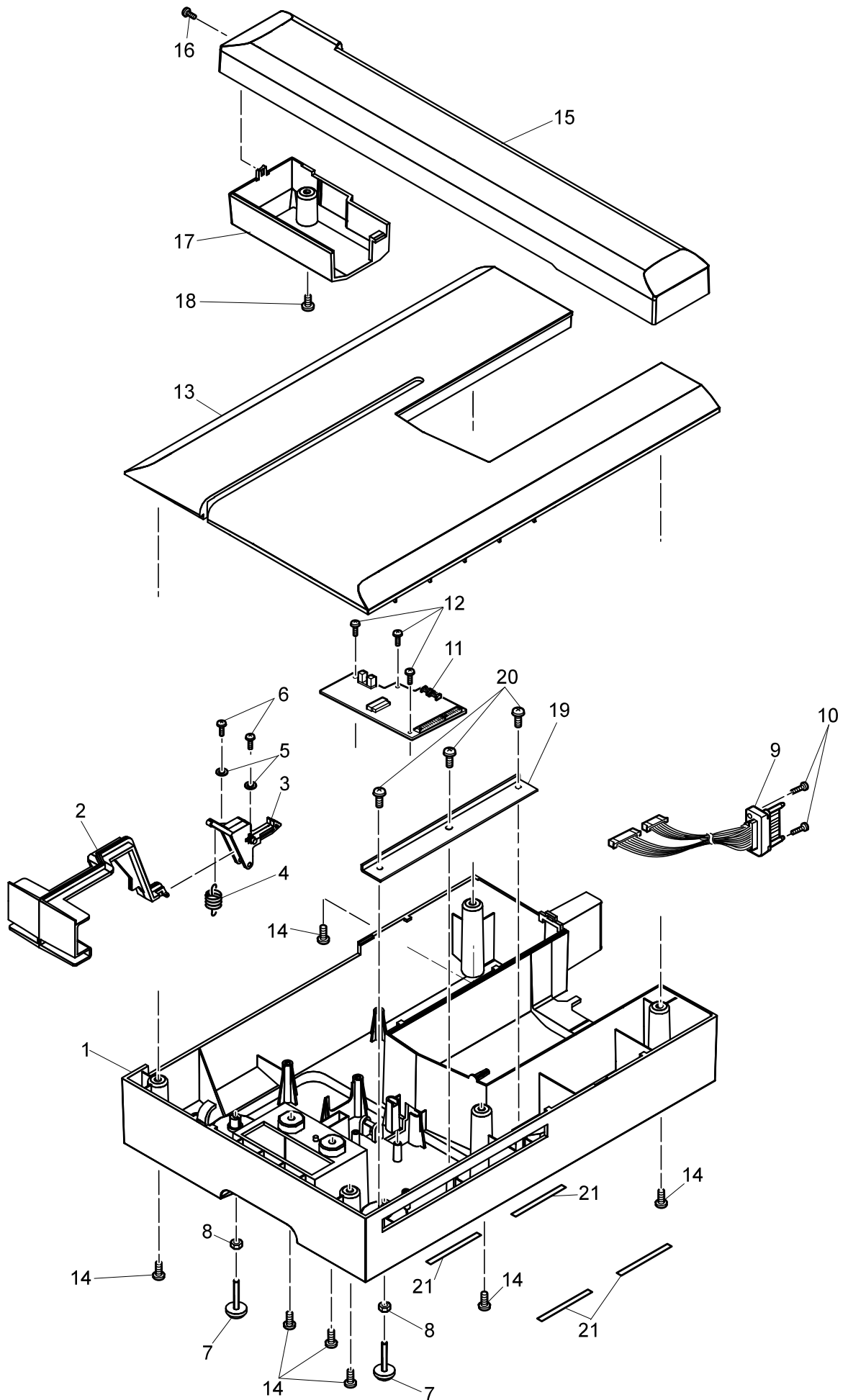


<u>No.</u>	<u>Part No.</u>	<u>Description</u>
#1	68001766	Power Circuit Assy.
#2	68001768	Power Socket Assy.
#3	68001785	Motor Assy.
1	68001767	Fuse
2	68001769	Power Socket Circuit
3	68001770	Power Switch
4	68001772	Controller Jack Assy.
5	68001191	Set Screw M4*8
6	68002962	CPU Board Assy.
7	68001780	Coating Grip
8	68001191	Set Screw M4*8
9	416402301	Belt Support Plate
10	68001779	USB Connector Cover
11	416712101	Motor
12	68001787	DC Motor Harness Assy.
13	68001789	Motor Bracket
14	416712401	Rubber Cushion
15	416712601	Motor Pulley
16	68000153	Set Screw M4*4
17	270 HP32925	Motor Fan
18	68001592	Snap Ring
19	416712501	Motor Collar
20	416712701	Set Screw M4*10
21	416403001	Set Screw M5*10

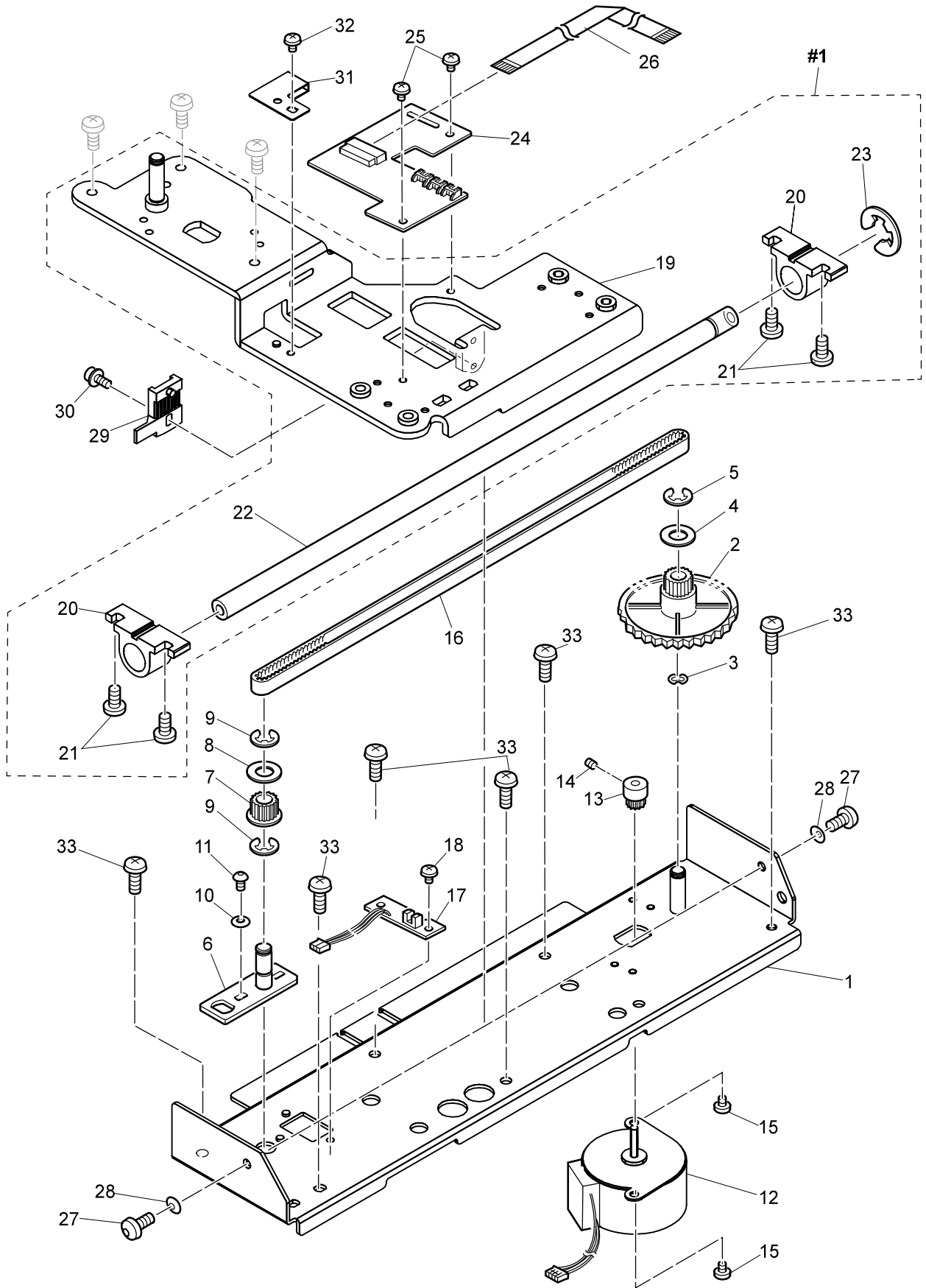
M



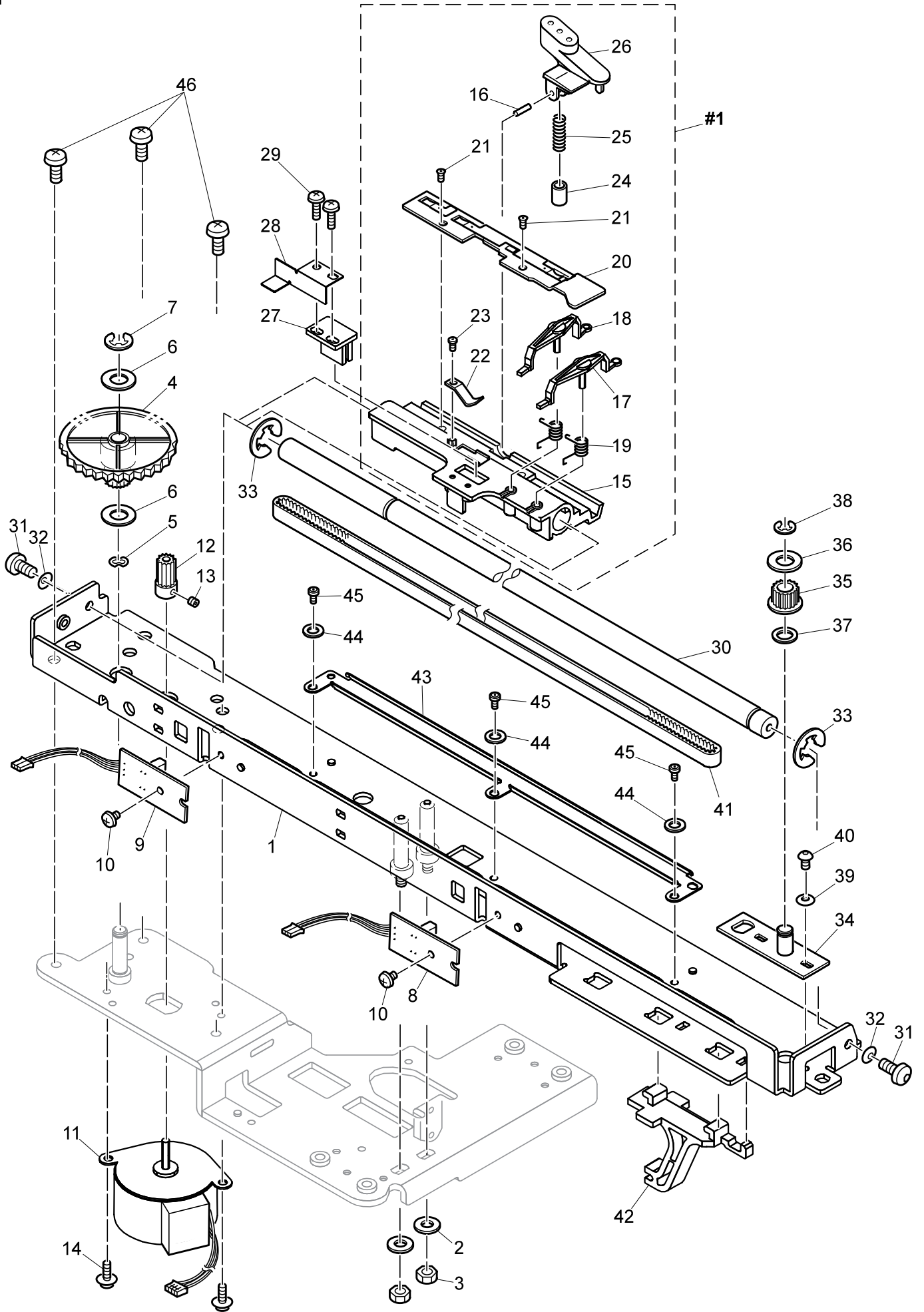
<u>No.</u>	<u>Part No.</u>	<u>Description</u>
#1	68003089	Accessory Kit
1	620098796	Needle Set
2	68001389	Bobbin
3	68001808	Screw Driver for Needle Plate
4	68001823	Screw Driver (Large)
5	68001822	Stitch Ripper
6	68001824	Brush
7	68003090	One Step Buttonhole Foot Unit
8	412380645	Overcasting Foot J
9	412801501	Zipper Foot E
10	412380445	Blind Stitch Foot D
11	413113646	Satin Stitch Foot B
12	412785345	Manual Buttonhole Foot C
13	68003091	Embroidery Foot
14	68003092	Edge Guide
15	68001826	Spool Net
16	68001820	Spool Stand
17	68001821	Small Thread Cap
18	412610701	Felt Washer
19	68001559	Thread Cap
20	412827401	Glide Sole
21	68003093	USB Memory Stick
22	68002630	Needle Clamp Screw
25	68002966	Foot Controller
26	412157903	Power Cord 120V
26	412157801	Power Cord 220V (EU)
26	412158002	Power Cord (GB)
26	412158101	Power Cord (AUS)
27	68003094	Hoop 240*150 (Assy.)



<u>No.</u>	<u>Part No.</u>	<u>Description</u>
1	68002967	X Base Cover
2	68001837	Release Lever
3	68001839	Release Lever Hook
4	68001840	Release Lever Spring
5	68001841	Washer
6	68001288	Set Screw PT M3*8
7	68001842	Rubber Foot Adjuster
8	416786801	Nut
9	68001843	Embroidery Unit Connect Assy.
10	68001844	Set Screw PT M3*12
11	68001845	Board (2) Assy.
12	68001288	Set Screw PT M3*8
13	68002968	X Top Cover w/cloth
14	68001198	Set Screw PT M4*10
15	68002969	Y Carriage Cover A
16	68001553	Set Screw M3*8
17	68002970	Y Carriage Cover B
18	68001191	Set Screw M4*8
19	68001853	Y Carriage Guide Plate
20	68001198	Set Screw PT M4*10
21	68002543	Felt



<u>No.</u>	<u>Part No.</u>	<u>Description</u>
#1	68002841	X Carrier Unit
1	68001854	X Carriage Base Assy.
2	68001855	Drive Pulley
3	68001856	Wave Washer
4	68001857	Washer
5	68001400	Snap Ring
6	68001858	Tension Pulley Bracket Assy.
7	68001859	Tension Pulley
8	68001860	Washer
9	68001400	Snap Ring
10	68001861	Disc Spring Washer
11	68001862	Set Screw M3*5
12	68001863	X Pulse Motor
13	68001864	Pulse Motor Gear
14	68001493	Set Screw M3*3
15	68001598	Set Screw M3*3
16	68001865	X Timing Belt
17	68001866	X Sensor Board Assy.
18	68001606	Set Screw M3*5
19	68001868	X Carrier Assy.
20	68001869	X Guide Shaft Follower
21	68001191	Set Screw M4*8
22	68001872	X Guide Shaft
23	68001874	Snap Ring
24	68001870	Board (1) Assy.
25	68001606	Set Screw M3*5
26	68001871	Flexible Flat Cable
27	68002633	Set Screw M4*8
28	68002631	Spring Washer
29	68001875	X Belt Holder
30	68001876	Set Screw
31	68001878	X Harnes Holder
32	68001598	Set Screw M3*3
33	68001198	Set Screw PT M4*10



No.	Part No.	Description
#1	68006061	Y Carrier Assy.
1	68001221	Y Carriage Base Assy.
2	68001297	Washer
3	416786801	Nut
4	68001855	Drive Pulley
5	68001856	Wave Washer
6	68001857	Washer
7	68001400	Snap Ring
8	68001309	Hoop Sensor Board Assy.
9	68001427	Y Sensor Board Assy.
10	68001606	Set Screw M3*5
11	68001428	Y Pulse Motor
12	68001431	Pulse Motor Gear
13	68001771	Set Screw M3*2.5
14	68001773	Set Screw M3*4
15	413026801	Y Carrier
16	68013784	Needle Bearing Pin
17	412749801	Y Carrier Sensor Arm (A)
18	412525402	Y Carrier Sensor Arm (B)
19	412555701	Sensor Arm Spring
20	413026901	Hoop Stable Plate Assy.
21	411967306	Set Screw
22	68014603	Y Carrier Spring
23	68014773	Set Screw
24	412590003	Sleeve
25	412526601	Hoop Stable Spring
26	413030201	Y Carrier Ratch
27	68001788	Y Belt Holder
28	68001791	Y Carrier Shield Plate
29	68001288	Set Screw PT M3*8
30	68001792	Y Guide Shaft
31	68002633	Set Screw M4*8
32	68002631	Spring Washer
33	68001793	Snap Ring
34	68001794	Y Tension Pulley Bracket Assy.
35	68001859	Tension Pulley
36	68001795	Washer
37	416705201	Polyslider
38	416402801	Snap Ring
39	68001861	Disc Spring Washer
40	68001862	Set Screw M3*5
41	68001797	Y Timing Belt
42	68001798	Y Carriage Guide
43	68001799	Y Carrier Guide
44	68001841	Washer
45	68001805	Set Screw M3*3
46	68001191	Set Screw M4*8