



BATTISTELLA®

MACCHINE PER STIRARE
IRONING EQUIPMENT

Instructions and maintenance

GIOVE

BATTISTELLA B.G. S.r.l.

Via Bessica, 219 36028 Rossano Veneto (VI) ITALY ☎ : +39-0424-549027
📠 : +39-0424-549007 🌐 : www.battistellag.it ✉ : info@battistellag.it

This manual is property of BATTISTELLA B.G. S.r.l. We reserve the right to make changes without notice. All rights reserved.

INDEX

1. SPECIFICATIONS	2
2. IMPORTANT	3
3. OPENING OF PACKAGE	3
4. WATER TO BE USED.....	4
5. ELECTRICAL CONNECTION	4
6. STARTING	4
7. GENERAL WARNINGS	5
8. SANITIZING	6
9. IRONING (IF GIOVE IS SUPPLIED WITH IRON)	7
10. SANITIZING ACCESSORIES (SUPPLIED UPON REQUEST)	8
11. CONNECTION OF ACCESSORIES	10
12. BOILER REFILL.....	10
13. SANITIZER LIQUID REFILL.....	11
14. BOILER DISCHARGE	11
15. GOOD FUNCTIONING.....	12
16. INTERVENTIONS AND SMALL REPAIRS	12
17. GENERAL MAINTENANCE.....	12
18. ELECTRICAL RISKS.....	12
19. MECHANICAL RISKS.....	13
20. THERMAL RISKS	13
21. PACKING, STORAGE AND TRANSPORT.....	13
22. WARRANTY	14
23. DISPOSAL	14

INSTRUCTIONS AND MAINTENANCE

GIOVE

Before starting the machine, carefully read this manual and follow the instructions.

Never use the product in any way other than that indicated in this manual.

1. SPECIFICATIONS

MODEL:	GIOVE
POWER SUPPLY:	230 V - 50 Hz
TOTAL INSTALLED POWER:	1498 W without accessories - max 2298 W with accessories
PUMP POWER:	48 W
IRON POWER:	800 W (<u>supplied upon request</u>)
STEAM BRUSH LEMM POWER:	400 W (<u>supplied upon request</u>)
STEAM BRUSH SPEEDY POWER:	500 W (<u>supplied upon request</u>)
BOILER POWER:	1450 W
BOILER CAPACITY:	3,4 L. (stainless steel)
SANITIZER LIQUID TANK:	10 L
IRONING ENDURANCE:	3-4 hours
OPERATING STEAM PRESSURE:	4 BAR
WEIGHT:	15,5 kg
OVERALL DIMENSIONS:	25x47x89 h. cm

MADE IN ITALY

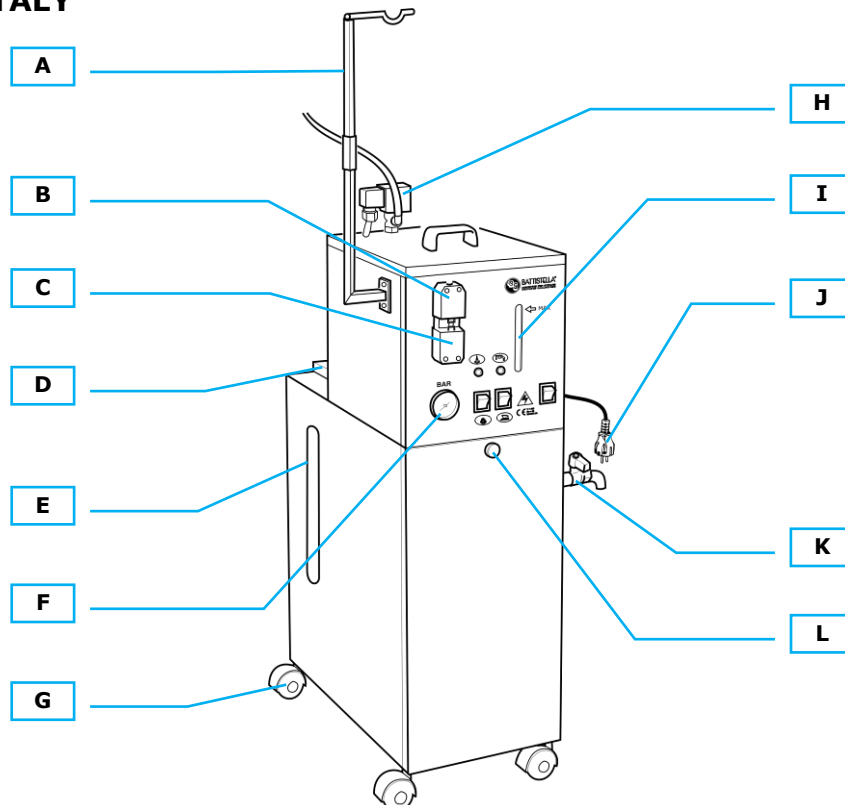


Fig. 1




LEGEND			
A	Brush holder (supplied upon request)	G	Wheels
B	Plug of accessory	H	Solenoid valve
C	Socket for accessory	I	Boiler water level indicator
D	Lid for sanitizer liquid	J	Plug
E	Sanitizer liquid level indicator	K	Drain cock
F	Pressure gauge	L	Door opening knob

2. IMPORTANT

It is the operator's responsibility to carefully follow the instructions written in this manual to better use and preserve the machine and avoid injuries to people or damage to things.

This appliance is not suitable for use by people (including children) with reduced, or inexperienced physical, sensory and mental abilities, unless they are supervised and instructed in the use of the appliance by a person responsible for their safety. Children should be checked to make sure they don't play with the appliance.

Labels have been put on some parts of the machine in order to identify the crucial points. The meanings of the labels are as shown below:

	Hot surface. Accidental burns hazard. Pay attention.
	High voltage. Electrocutation risk. Pay attention not to touch high voltage parts. Disconnect the machine from the power grid before removing the protection panels.
	Indicates the presence of the tank drain cock. Caution steam emission - boiling water! Burns hazard. Follow the instructions given in the manual for the safe drainage of the boiler.

3. OPENING OF PACKAGE

1. Upon receipt of the machine, check that the packaging has not been damaged or tampered with.
 2. Remove the machine from the box, carefully read the instructions below and strictly follow the specified indications (keep this booklet for any further consultation).
 3. Fix the brush holder (if supplied).
- If the machine is equipped with iron:
4. Fix the iron cables to the support, avoiding twining.
 5. Place the iron on the rubber rest supplied with the machine.

4. WATER TO BE USED

It is recommended to use only drinking water. Do not use distilled water or water with hardness less than 12 ° (French). This type of water causes malfunctions to the machine (i.e. corrosion, black water leaking from the iron, etc.).

The appliance has been designed to work with tap water with an average hardness between 8 ° and 20 ° (French). If the tap water contains a lot of limestone do not use only pure demineralized water but a mixture of 50% tap water and 50% demineralized water.

Do not use distilled water, undiluted demineralized water, rain water or water containing additives (for instance starch, perfume) or water produced by other household appliances, softeners and filter jugs.

Do not introduce chemical or natural substances, detergents, scale removers, etc.

5. ELECTRICAL CONNECTION

Connect the machine to a power socket protected by a differential magneto-thermic switch, in compliance with current regulations and with a capacity corresponding to the characteristics of the machine.

In the event of incompatibility between the socket and the plug of the appliance, have the socket replaced with another of a suitable type by authorized and qualified personnel.

Make sure that the line voltage and frequency correspond to what is indicated on the label placed on the machine.

It is mandatory to connect the appliance to a good ground. The manufacturer cannot be held responsible for any damage caused by the lack of grounding of the system.

6. STARTING

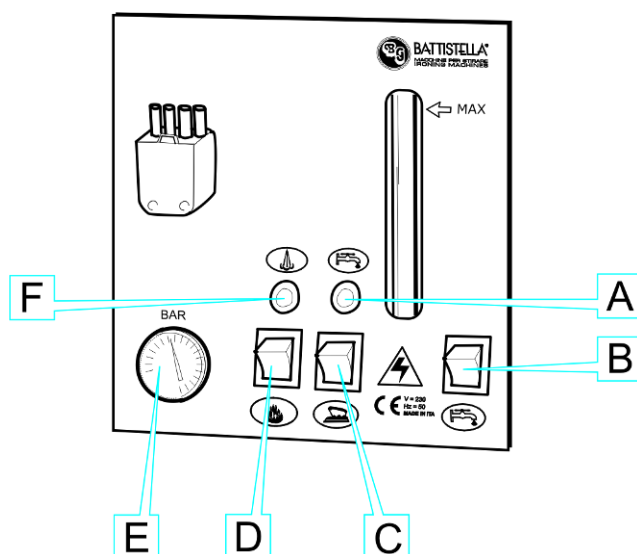


Fig. 2

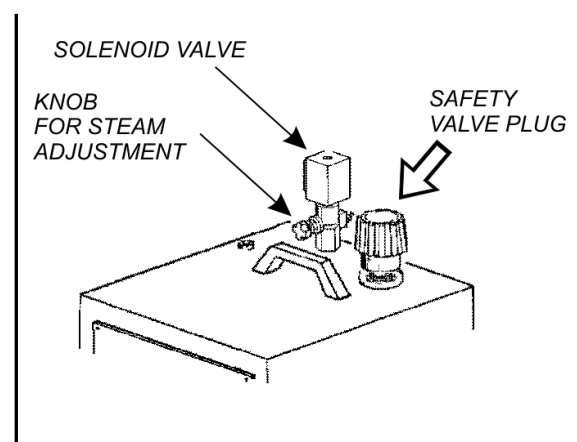


Fig. 3

Place the device on a stable, flat and heat-resistant surface.

The machine can operate in two modes: steam mixed with sanitizer liquid or steam only.

Make sure that the power cord plug is unplugged from the power outlet and the appliance is off. Then proceed as follows:

USE OF STEAM WITH SANITIZER LIQUID MODE:

1. Insert a solution consisting of alcohol and water into the tank, with which surfaces and clothing can be sanitized. It is recommended to use 70% alcohol and 30% water (3 liters of water and 7 liters of alcohol), in order to obtain an excellent sanitizing solution. It is recommended not to exceed the "MAX" level indication in the tank and not to go below the "MIN" level indication. (see chapter "SANITIZER LIQUID REFILL").
2. Unscrew the safety valve cap from the machine (fig. 3), fill the boiler only with the desired amount of water. Screw the plug back on from the top, taking care not to tighten it too much otherwise the gasket will be damaged (see chapter "BOILER REFILL").
3. After filling the sanitizer liquid tank and the boiler, insert the plug into the socket.
4. Turn on the boiler switch (fig. 2 D). **N.B.: it is recommended not to exceed the MAX indication in the level glass (fig. 1 I) and to pay attention that the boiler discharge cock is closed (fig. 7).**
5. **If the boiler is overfilled** beyond the MAX indication in the level glass, the gun, brush or iron may release water or very humid steam. In this case, the appliance must be switched off. Slightly unscrew the safety valve cap (one turn), wait for all the steam inside the boiler to go out, wait for the water and the boiler to cool completely then carefully open the drain cock and let the excess water drain out (see the "boiler discharge" chapter).
6. Wait for the boiler light to go off (fig. 2 F); the pressure gauge must indicate approximately 4 bar (fig. 2 E). At this point, press the micro-switch (fig. 4) 4-5 times, releasing the steam. You must also make sure that the steam is well saturated. You can also adjust the desired amount of steam by turning the steam adjustment knob located in the solenoid valve. Once the operation has been completed, the machine is ready to be used. During use, the boiler light turns on and off continuously, a sign of normal operation (fig. 2 F).
7. **To sanitize** by using the alcohol and water solution it is necessary to turn on the tank switch (fig. 2 B); this way the sanitizer liquid is mixed with the steam and the machine is ready to sanitize garments and / or surfaces.

USE OF STEAM ONLY MODE: follow the operations from point 2 to point 6. Make sure that the switch in fig. 2 B is in position 0 to deactivate the mixing of the sanitizer liquid with the steam. Only "pure" steam will come out of the accessories, without the sanitizer liquid.

7. GENERAL WARNINGS

1. Avoid connecting the appliance to multiple sockets and / or extensions that are not adequate for its power.
2. The device must be used and left to rest on a stable surface, in a closed environment with a temperature between + 10 ° C and + 40 ° C. Do not place the machine outdoors or expose it to the action of atmospheric agents.

3. The user must not leave the appliance unsupervised when it is connected to the mains.
4. Never leave the machine near heat or gas sources.
5. Do not approach the appliance, when in operation, to thermolabile or flammable parts.
6. Do not replace the power cord plug.
7. Do not move the appliance during operation.
8. Do not unplug the power cord by pulling it, but pull out by gripping the plug to avoid damage to the socket and cord.
9. Always disconnect the machine from the power supply if it is not in use and before any maintenance and cleaning operation.
10. If the machine is used in steam mixed with sanitizer mode, make sure that the water and alcohol solution in the tank is always above the "MIN" level. Running the machine with lower levels causes the pump to break.
11. Fully unwind the cable and the steam tube before connecting it to the mains and before use. Always use the product with the cable and steam hose completely unwound.
12. Keep the power cord away from hot surfaces, prevent it from being crushed by doors or stepped on, and prevent it from coming into contact with the brush or iron plate.
13. Keep children away from the machine, both when it is running and when it is switched off.

BOILER

1. Once ironing is complete, it is not necessary to empty the water left in the tank if the boiler is used in the following days.
2. The safety valve cap must not be opened when the appliance is in operation.
3. Do not add additives of any kind to the water.
4. Never replace the valve plug (fig. 3) with other types of plugs. **N.B. the safety valve cap is set at 5 bar and acts as a safety valve.**
5. Do not drain the water from the boiler while the appliance is operating (see the "boiler discharge" chapter).
6. Use only normal drinking water from the water supply.

IRON (accessory)

1. After use, always wait for the iron to be cold before putting it away.
2. The iron should not be used if it has been dropped or if there are visible signs of damage or if it is leaking water.
3. In case of replacement of the iron rest mat, use only original spare parts.
4. Never leave the iron on the ironing board or on the garments to be ironed.
5. If ironing while seated, make sure that the jet of steam is not directed towards your legs. The steam could cause burns.
6. Do not place the iron directly on the metal iron rest of the appliance. Always place the iron on the special rubber mat.
7. Do not rest or use the iron on zippers, hooks, rings, etc. to avoid scratching the plate.
8. Do not iron directly on people.

8. SANITIZING

Sanitization is an intervention aimed at eliminating any bacteria and contaminating agents which cannot be removed with normal household cleaning.

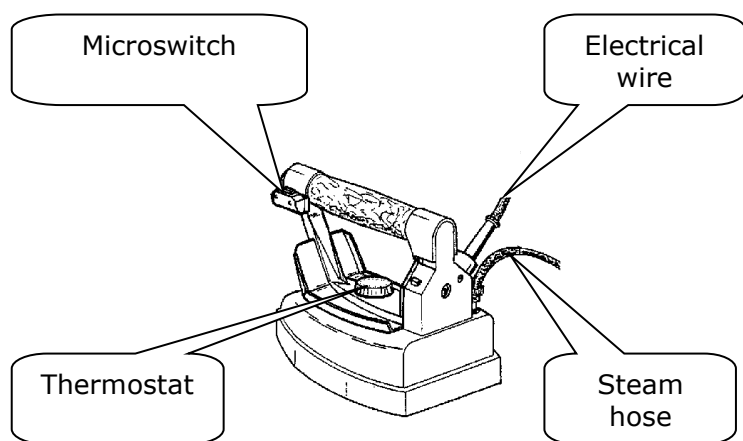
The machine was created and designed for the sanitization of garments as well as surfaces and much more and is equipped with various accessories for proper sanitizing. In fact, with the use of accessories, the machine is able to eliminate any trace of odor, bacteria or mites.

The accessories are different so that they can be adapted to multiple surfaces and materials; the replacement of the latter is also quick and easy.

For a more targeted and in-depth sanitation, we recommend our GEA sanitizing cabin. The GEA cabin eliminates bacteria, viruses, mites, molds, fungi, spores and all types of parasites in an eco-friendly and natural way; through ozone it is in fact able to degrade and eliminate any polluting or harmful element such as viruses.

9. IRONING (IF GIOVE IS SUPPLIED WITH IRON)

1. Adjust the temperature of the iron (fig. 4). For dry ironing you can set the thermostat on various positions according to the type of fabric you want to iron (therefore refer to the instructions on the garment labels). For steam ironing, the thermostat must be set to the "cotton" or "linen" position.
2. Run the iron on the items to be ironed, pressing the iron micro-switch at intervals to release the steam (fig. 4).
3. For delicate, blue or black garments we recommend the use of the special anti-shoen shoe.
4. During ironing it is recommended to place the iron only on the special rubber iron rest (fig. 1).
5. When the machine is used combined with a non-vacuum ironing board, water stains may arise on the table. In this case decrease the steam flow from the iron using the steam adjustment knob (fig. 4). It is therefore recommended to combine the appliance with a heated and vacuum table.



●●●	Cotton - linen	Steam
●●	Wool - silk	Dry
●	Synthetic acrylic polyester nylon	

Fig. 4

10. SANITIZING ACCESSORIES (SUPPLIED UPON REQUEST)

Accessories for sanitizing (upon request):



Steam gun with bristles



Steam gun with flat nozzle



Steam gun with round nozzle



Steam brush speedy 2F

"Smart Lemm" steam brush





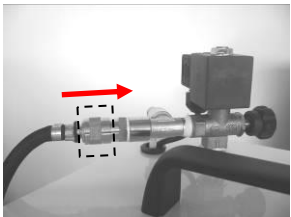
Brush cable holder



Eos iron



11. CONNECTION OF ACCESSORIES

	<p>Insert the plug of the accessory into the socket located on the machine as shown in the photo on the left. Make sure the plug is pushed in all the way.</p> <p>To disconnect the plug, press the tab indicated by the arrow and pull upwards.</p>
	<p>Connect the steam coupling by inserting it into the appropriate socket. Just press until you hear the "click" that ensures correct connection.</p>
	<p>To disconnect the steam coupling, grasp the knurled ring nut and push it in the direction indicated by the arrow, in this way the tube can be released.</p>

IMPORTANT: Attach and unhook accessories with the machine turned off and cold in order to avoid hand burns.

12. BOILER REFILL

When you notice that the steam flow is significantly reduced and then ends permanently, it means that there is no more water in the boiler. Total water depletion is signaled by the light switching on (fig. 2 A).

At this point remove the plug from the socket, wait for the boiler to cool off and unscrew the valve cap.

Warning: if after slightly unscrewing the safety cap steam comes out, it means that there is still pressure inside the boiler and you need to wait a little longer.

WARNING: never fill the boiler as soon as the safety cap is opened and the boiler is still hot, even if the plug is unplugged. The water in contact with the hot and empty boiler evaporates instantly, causing a spray of steam that could cause skin burns.

Refill the boiler with water (fig. 5) taking care not to exceed the MAX mark. It is advisable to fill the boiler with water using a funnel and in any case, when filling, always keep your face away from the water inlet.

Screw the valve cap back on (fig. 3), reinsert the plug into the socket and wait until the boiler light goes off (fig. 2 F).

ATTENTION: never connect the appliance with the safety cap removed.

During water refilling be careful not to spill water outside the machine. If this happens, dry immediately to avoid electrical hazards.

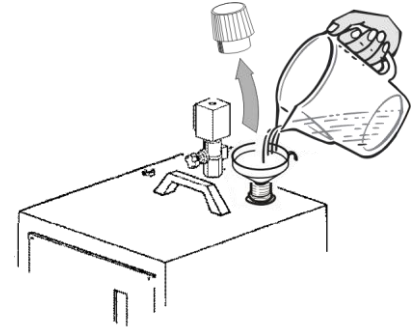


Fig. 5

13. SANITIZER LIQUID REFILL

Periodically check the level of the sanitizer liquid in the tank. When the liquid falls below the "MIN" mark, refill the tank immediately, but do not go beyond the "MAX" mark. To fill the tank, simply lift the lid (fig. 6).

Perform the operation with the machine disconnected from the mains.

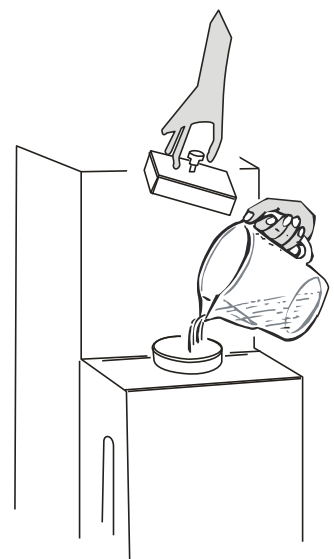


Fig. 6

14. BOILER DISCHARGE

Drain the boiler periodically. Carry out the operation with the machine turned off and cold and with the plug disconnected from the mains. Wait at least 1 hour after switching off. During this procedure, wear work gloves to avoid possible burns.

Remove the valve cap and open the boiler drain cock (fig. 7), wait for all the water to come out and finally close the boiler drain cock. It may happen that the drain cock gets clogged: in this case, take an iron wire with a diameter of 3-4 mm or similar and introduce it into the duct to unclog it.

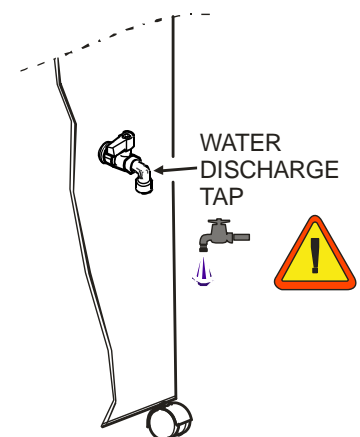


Fig. 7

15. GOOD FUNCTIONING

The Giove machine has been designed and built to sanitize garment and/or surfaces. It can be used maximum 20 hrs. per week (subdivided in many times) or 80 hrs. per month.

16. INTERVENTIONS AND SMALL REPAIRS

Before carrying out any maintenance or small repair, always disconnect the power plug from the mains and make sure that the appliance has cooled off.

1. It is recommended to drain the boiler every 2 or 3 times it is used.
2. It is recommended to replace the valve cap seal gasket (using only original parts) every 1200 hours the machine has been switched on or maximum every 2 years, or earlier if it is damaged. The operation must be performed with the machine turned off and cold and when the pressure gauge indicates 0 bar.
3. If the power cable is damaged, replace it immediately. The cable is supplied by the manufacturer or authorized service centres.
4. To clean the outside of the appliance, use only a damp cloth. Do not use detergents of any kind. Clean the iron base when it is completely cold with a damp cloth or a non-abrasive sponge.

17. GENERAL MAINTENANCE

(To be carried out exclusively by authorized service centres or by the manufacturer)

It is recommended to replace:

1. the internal safety valve every 2100 hrs. of ironing or maximum every 3 years;
 2. the internal thermostat every 2100 hrs. of ironing or maximum every 3 years;
- It is recommended also to clean the boiler from limestone every 2500 hrs. of ironing or maximum every 3 years.

18. ELECTRICAL RISKS

The following situations are considered dangerous for the operator:

1. earth protector switch is activated upon turning on the machine;
2. using the machine during thunderstorms;
3. using the machine without proper protection for feet (without shoes) or with wet hands or feet;
4. damaged electric wires;
5. when the electric wires touch hot parts of the machine;
6. when the iron, brush or gun leak water or overheat;
7. using water to clean or wash the accessories;
8. filling the boiler when the machine is switched on.

19. MECHANICAL RISKS

The following situations are considered dangerous for the operator:

1. using the machine for different purposes other than those written in the manual;
2. replacing the valve plug gasket with non-original gaskets;
3. using the machine without water inside the tank.

20. THERMAL RISKS

The following situations are considered dangerous for the operator:

1. touching brush or iron base when it is hot;
2. touching the solenoid valve of the machine when there is pressure inside the boiler;
3. emptying the boiler or touching the boiler discharge cock when there is pressure inside the boiler;
4. touching the safety valve cap when there is pressure inside the machine;
5. directing the steam jet towards people or animals.



Some parts of the appliance can become extremely hot: be very careful during use and disconnect the machine when not in use.

21. PACKING, STORAGE AND TRANSPORT

The machine is packed in a cardboard box which cannot be turned upside down. As it is not a rigid packaging it is shock-resistant (fragile material), so be very careful when handling the packed device. Do not use it as a stool or as a support point. The packaging elements (plastic bags, boxes, expanded polystyrene, etc.) must not be left within the reach of children as they are potential sources of danger. For authorized distributors and resellers: it is recommended not to stack boxes one on the other and to store them in a dry place with the opening facing up ↑.

22. WARRANTY

Warranty does not apply to damage resulting from:

- repairs carried out by unauthorized personnel or service centers;
- total or partial non-compliance with the instructions contained in this manual;
- bad storage, lack of maintenance / cleaning or incorrect assembly;
- damage caused by the customer;
- faults or damages that do not derive from a manufacturing defect;
- damage that derives from fortuitous events (fires, short circuits) or from facts attributable to third parties (tampering);
- damage caused by limestone;
- damage caused by the use of water other than that indicated in the instructions;
- use of the appliance for a use other than that specified in this manual;
- use of non-original, modified or unsuitable spare parts or accessories for the appliance.

23. DISPOSAL



According to the directive 2012/19/UE on waste of electrical and electronic equipment, do not treat this product as household waste.

This appliance is marked according to the directive 2011/65/UE on restriction of use of specific dangerous substances in electrical and electronic equipment.

This symbol on the product or on its packaging indicates that this product shall not be treated as household waste. Instead it shall be handed over to the applicable collection point for the recycling of electrical and electronic equipment.

Ensuring this product is disposed of correctly will help prevent potential negative consequences for the environment and human health which could otherwise be caused by inappropriate waste handling of this product. The recycling of materials will help to conserve natural resources.

The abusive disposal of the product by the user may lead to administrative sanctions.

.....;

Every product manufactured by **BATTISTELLA B.G. S.r.l.** is subject to following limitations:

- ❖ **Battistella B.G. S.r.l.** guarantees that this machine, correctly installed and used, works accordingly to this instruction handbook. Each implicit warranty is limited by law as from purchase date.
- ❖ **Declination of responsibility for consequential damages: Battistella B.G. S.r.l.** will never take the responsibility for any damage (included, without any limitation, consequential damages due to loss or no profit, cutback or any other economical loss) deriving from the use of a BATTISTELLA machine, even in case the Company had been previously informed of such kind of possibility.

Should you need **further information** about this handbook, please contact **Battistella B.G. S.r.l.** or the person who sold you the machine.

.....;