

INSTRUCTIONS AND MAINTENANCE

SATURNINO PORTABLE MODEL mod. 2010

Read the directions carefully before operating.
Don't use the machine differently from following description.

1. SPECIFICATIONS

MODEL:	SATURNINO mod. 2010 portable model
POWER SUPPLY:	230 V / 50 Hz
TOTAL INSTALLED POWER:	2500 W
IRON POWER:	800 W
BOILER POWER:	1700 W
BOILER CAPACITY:	3,8 L.
IRONING ENDURANCE:	about 4-5 hours
OPERATING STEAM PRESSURE:	2,8 BAR
MAXIMUM PRESSURE:	5 BAR
WEIGHT:	13,5 kg.
OVERALL DIMENSIONS:	25x29x37 h. cm
MADE IN ITALY	

2. IMPORTANT

Before installing SATURNINO it is necessary to set up the following facilities:

1. a grounded socket suitable to SATURNINO power;
2. a steady and plane surface where to put the machine.

For the transport and the displacement, seize the generator only by the handle, never pull its electric cables (fig. 1).

3. OPENING OF PACKAGE

1. Open the box containing SATURNINO, take out the instructions handbook and read it carefully.
2. Remove SATURNINO from the box, mount the two pieces of the cable support and insert it deep into the special support holder (fig. 1) placed on the back side of the generator.
3. Fix the iron cable to the support hook (avoid twining).
4. Place the iron rest on the ironing table and put the iron on its rubber iron rest (fig. 1).
5. Check that the iron plug is connected to the socket (fig. 2 F)

4. CONNECTION AND STARTING

With SATURNINO switched off and disconnected plug:

1. Unscrew the security valve plug (fig. 4), fill the boiler with water till overflow or at pleasure.
2. Take the plug by the plastic part and screw it again: do not tighten too much or its gasket might get spoilt.
3. Insert the plug into a 230 V 16 A socket.

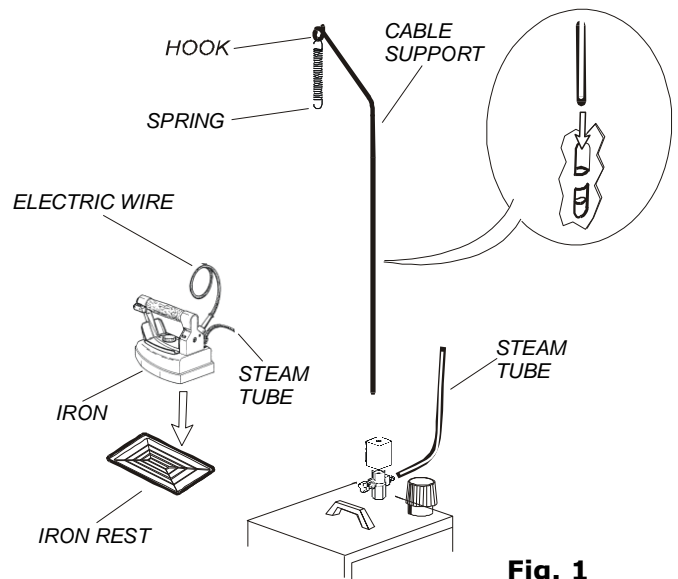


Fig. 1

- Switch on heating element (fig. 2 A). Five minutes later switch on the iron (fig. 2 B) and adjust the thermostat (fig. 5) on "cotton".
- Wait for the boiler lamp to switch off (fig. 2 C). Seize the iron by cork handle and press red button 3 or 4 times (fig. 6), so that steam comes out. It is important to make sure it is a saturated steam (by pressing the micro switch with the iron pointed downwards). You can adjust steam flux by turning the hand-wheel placed on the solenoid valve (fig. 3). Now everything is ready for ironing. During ironing operation, the boiler lamp switches on and off (fig. 2 C).

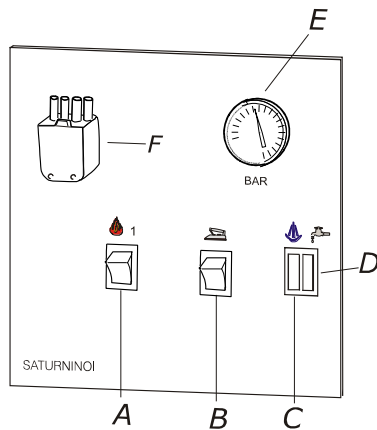


Fig. 2

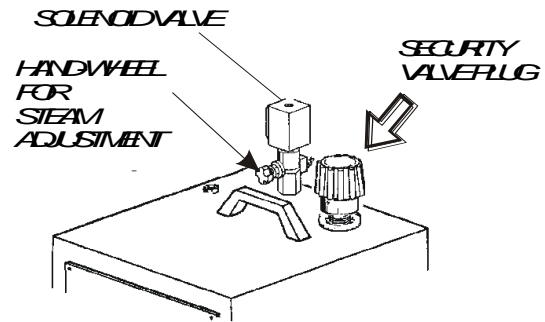


Fig. 3

5. COMPULSORY

- Use only normal water coming from the aqueduct.
- Never add additives to water.
- Empty the boiler only when the pressure does not overcome 0 BAR (fig. 2 E), taking care to open the exhaust tap slowly (fig. 3). For carrying out this operation, wear gauntlets against possible burns.
- Never replace the security valve plug (fig. 3) with other types of plug. N.B. the security valve plug is set on 4,5 BAR and it has the function of a security valve.**
- Connect SATURNINO to suitable protected socket.
- Always keep children away from SATURNINO, both when it is on and off.
- Do not iron garments directly on persons or things.

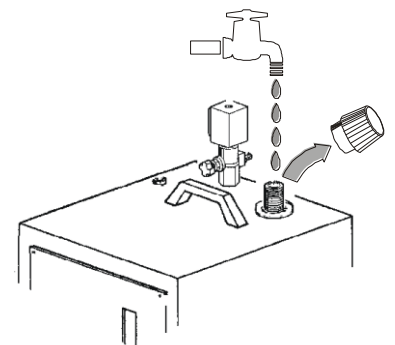


Fig. 4

6. IRONING OPERATION

- Run the iron on garments, pressing the iron micro switch for steam. For a better result, set the thermostat (fig. 5) on "cotton".
- For delicate, blue and black garments, we advise you to use the anti-sheen shoe.
- During ironing operation, always put the iron on its rubber rest (fig. 1) and pay attention to the position of the wires: if they twine or get in touch with ironing board, they might cause short circuits.
- For dry ironing it is possible to adjust the thermostat (fig. 5) on different positions according to the type of fabric (look at garment label). For steam ironing, set the thermostat on "cotton" or "flax".
- If you work on a non-vacuum board, some circular water spots might form because of condensed steam. To get round this problem, put a felt under the usual padding and adjust the hand-wheel for steam regulation on minimum (fig. 3).

7. WATER FILLING

When the water in the boiler is over, the lamp "no water" switches on (fig. 2 D). So SATURNINO has to be switched off by disconnecting the plug; rotate the valve plug (fig. 3) of 360° and wait for steam to go out completely. Unscrew the valve plug with care and wait a few minutes. Then fill the boiler with water. Screw the valve plug again, connect the plug and wait for the boiler lamp to switch off (fig. 2 C). Now the iron is ready again.

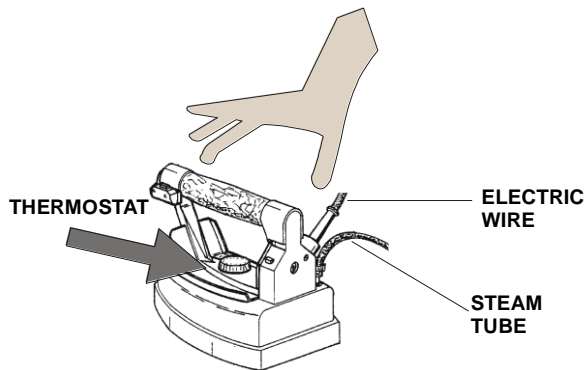


Fig. 5

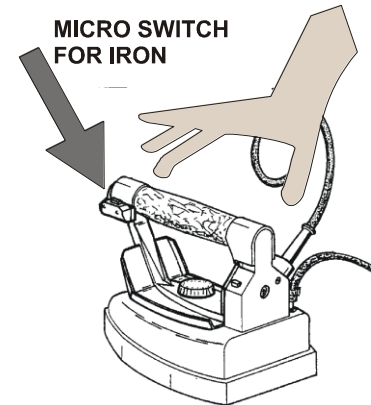


Fig. 6

8. EMPTYING OF BOILER

Procedure to be carried out with SATURNINO switched off and cold (manometer should be at 0 Bar) and disconnected plug

Unscrew the valve plug (fig. 4) and tilt the SATURNINO towards the right so that all water and impurities come out.

9. GOOD FUNCTIONING

SATURNINO was projected for the ironing of domestic garments. It can be used maximum 20 hrs. per week or 80 hrs. per month (subdivided in many times).

10. INTERVENTIONS AND SMALL REPAIRS

1. Replace the gasket of the security valve plug (use only original gaskets) every 1200 hrs. of ironing or maximum 2 years.
 2. Replace the security valve plug every 2500 hrs. of ironing or maximum 3 years (fig. 3).
- For carrying out these procedures, the machine has to be switched off and cold and the manometer has to indicate 0 BAR.

11. COMPULSORY PERIODICAL MAINTENANCE

(To be carried out exclusively by Assistance Centres or by the manufacturer)

It is recommended to replace:

1. the internal security valve every 2100 hrs. of ironing or maximum 3 years;
2. the internal thermostats every 2100 hrs. of ironing or maximum 3 years;
3. steam tube and iron cable once they seem spoilt (fig. 5).

It is recommended also to clean the boiler from limestone every 2500 hrs. of ironing or maximum 3 years.

12. ELECTRICAL RISKS

The following situations are considered dangerous for the operator:

1. earth protector switch is activated when turning on the main switch,
2. using SATURNINO during thunderstorms,
3. using SATURNINO without proper protection for feet (without shoes) or with wet feet,
4. damage of electric wires,
5. loss of water from iron,
6. loss of water from SATURNINO,
7. iron overheating,
8. cleaning or washing the iron using water,
9. filling the boiler when the machine is on.

13. MECHANICAL RISKS

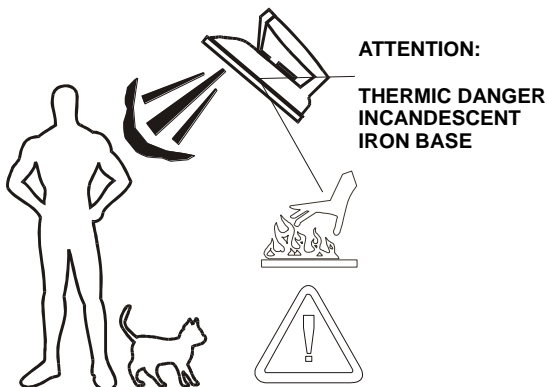
The following situations are considered dangerous for the operator:

1. using SATURNINO for different purposes other than ironing,
2. replacing the valve plug gasket with non-original gaskets.

14. THERMIC RISKS

The following situations are considered dangerous for the operator:

1. touching iron base when working,
2. touching the solenoid valve when the machine is under pressure,
3. touching the valve plug when SATURNINO is under pressure.



- ❑ **Do not iron garments directly on persons.**
- ❑ **Do not leave hot iron on garments.**
- ❑ **After use, always put iron on its iron rest.**

15. PACKING, STORAGE AND TRANSPORT

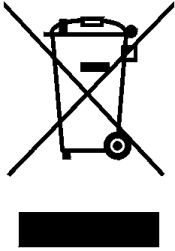
SARTURNINO may be packed with cellophane, on a pallet or in cardboard boxes which cannot be turned upside down. As this is not a stiff package it is not shock-resistant. We therefore advise you to handle the box with utmost care. Do not use the boxes as a stool or support and do not pile SATURNINO one on top of another (Handle with care).

16. WARRANTY

Warranty does not apply to damage resulting from:

- Tampering with the machine or repairs carried out by non-authorized personnel;
- Total or partial inobservance of the instructions contained in this manual;
- Improper maintenance or wrong assembly/connection;
- Use of non original spare parts;
- Use of the machine for purposes other than those written in this manual.

17. DISPOSAL



Information for the correct disposal in accordance with EC directives 2002/96/EC and 2003/108/EC.

Saturnino is mainly made of iron material and must therefore not be disposed of as urban waste but in proper waste collection centres. The crossed dustbin symbol indicates that the product must be disposed of separately from other refuse in order to avoid negative consequences for the environment and health.

The correct disposal and recycling of the machine's components assures protection of the natural environment..

.....;

Every product manufactured by BATTISTELLA B.G. S.r.l. is subject to the following limitations:

- ❖ **BATTISTELLA B.G. S.r.l.** assures that this machine, correctly installed and used, works according to this instruction handbook. Each implicit warranty is limited by law as from purchase date.
- ❖ **Declination of responsibility for consequential damages: BATTISTELLA B.G. S.r.l.** will never take the responsibility for any damage (included, without any limitation, consequential damages due to loss or no profit, cutback or any other economical loss) deriving from the use of a BATTISTELLA machine, even in case the Company had been previously informed of such possibility.

Should you need **further information** about this instruction handbook, please contact **BATTISTELLA B.G. S.r.l.** or the person who sold you the machine.

.....;