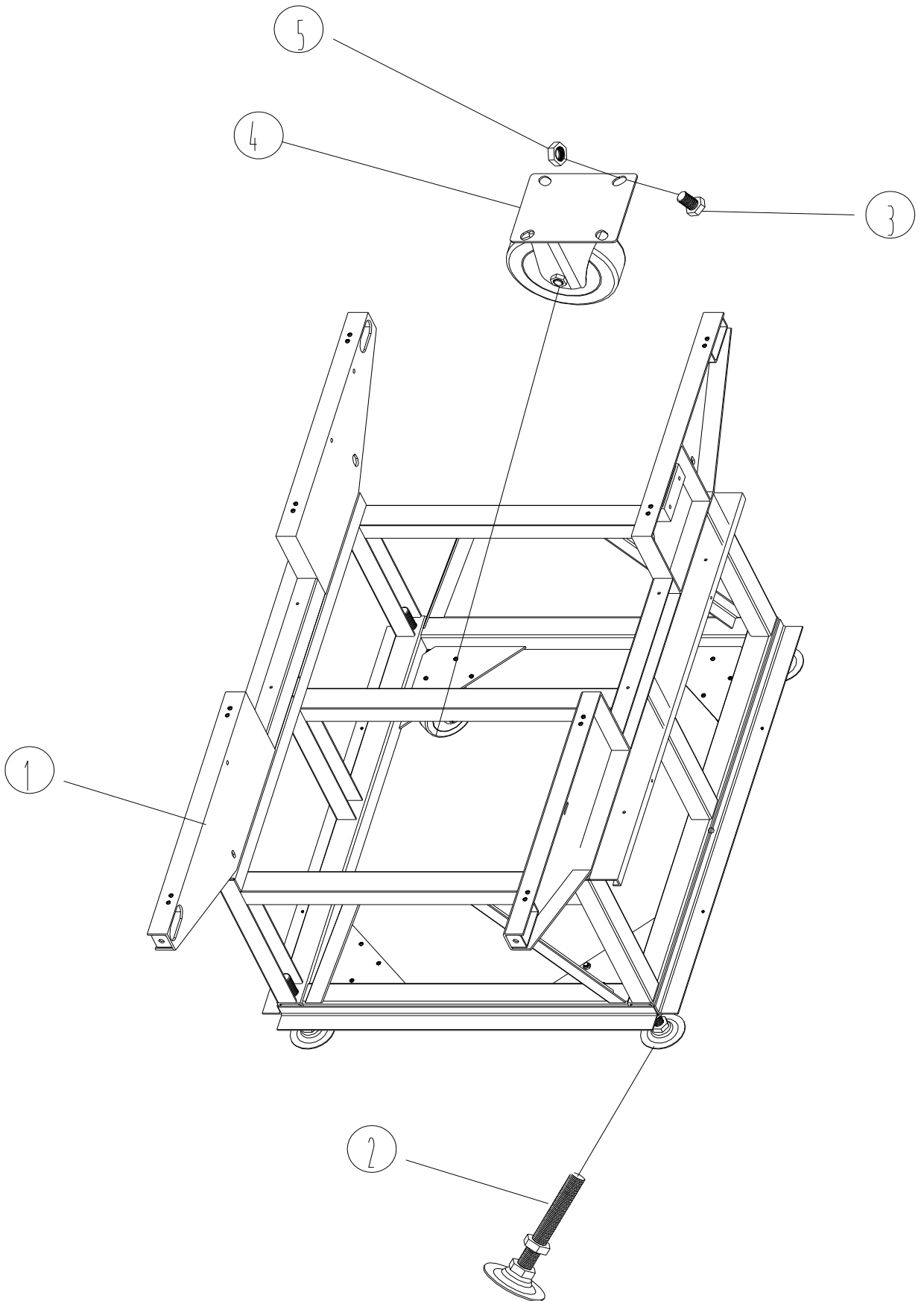
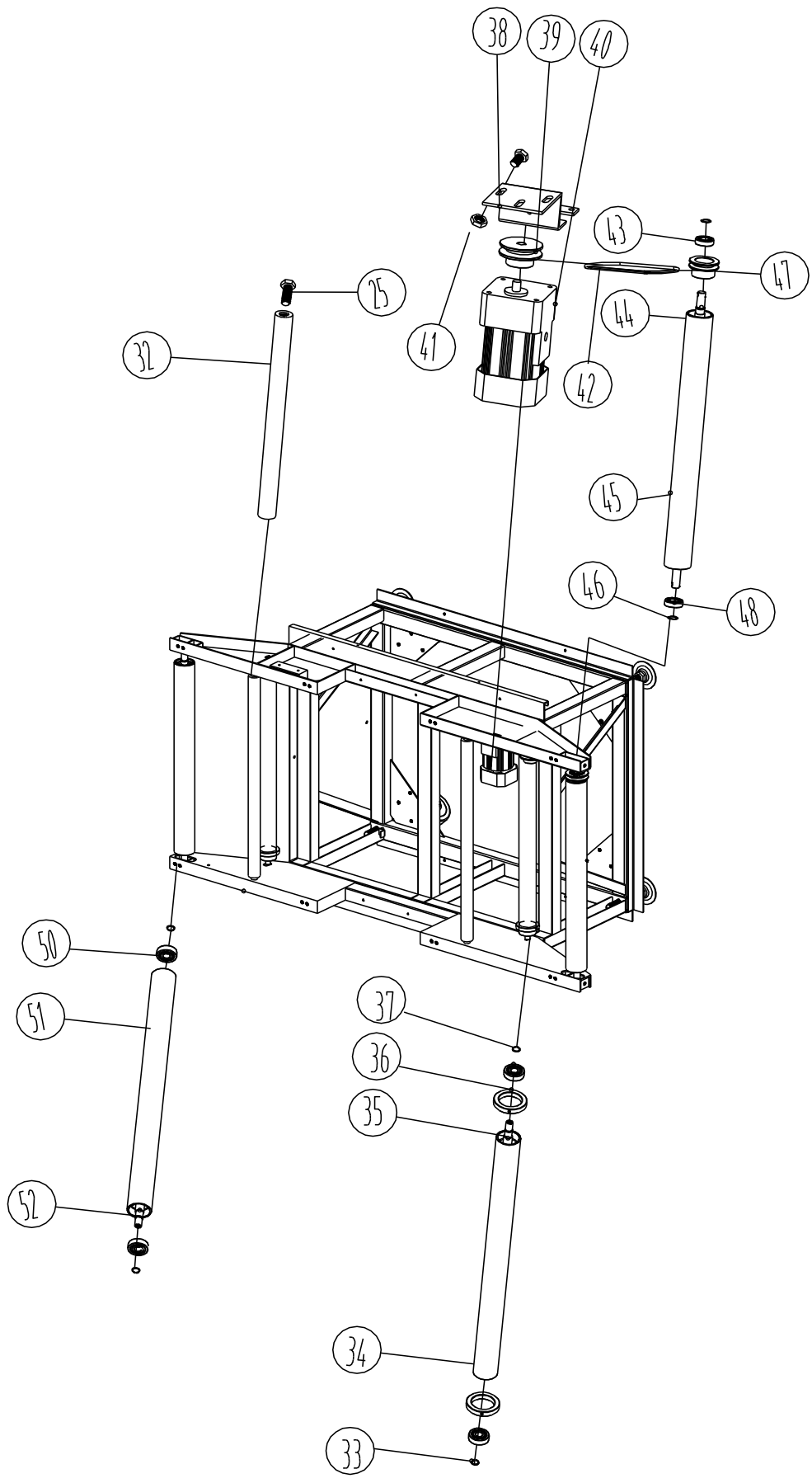
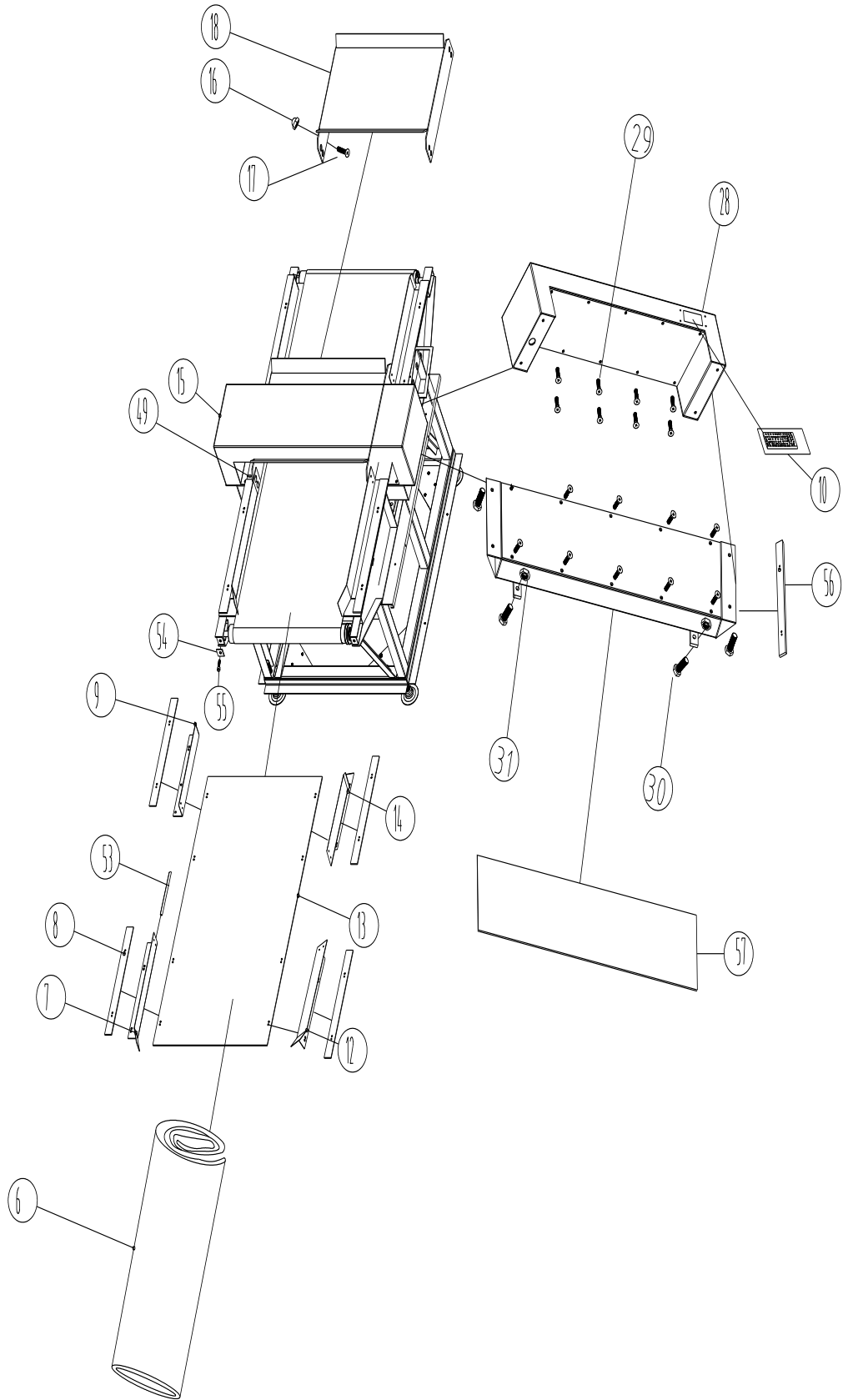


Parts list

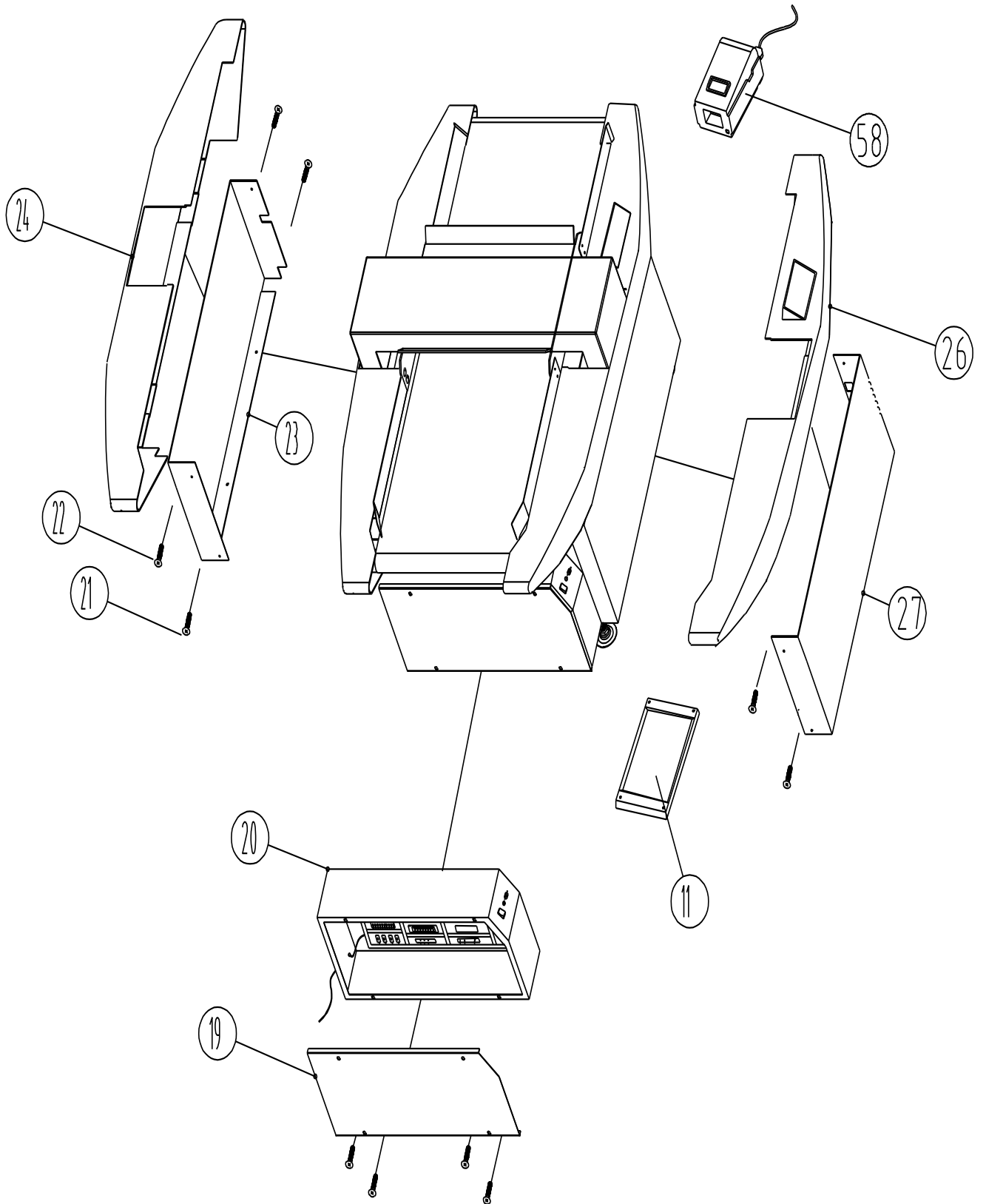






OSHIMA

Part



OSHIMA

Part

No.	Part No.	Description	Qty.	NO.	Part No.	Description	Qty.
1	ZD630.5	Machine shelf	1	31	GB6170-86	M10 nut	4
2	ZD630.8	Stand	4	32		Rod	2
3	GB5783-86	M8X16 Screw tap	16	33	GB894.1-86	19 Stop ring	4
4		P100N Wheel	4	34	ZD630-2.3	Cover pipe	2
5	GB6170-86	M8 nut	16	35	ZD630-2.1	Axis	2
6		620*3300mm Belt	1	36	ZD630-2.2	Cover ring	4
7	ZD630-3	Back protecting	1	37		6302-2RS bearing	2
8	ZD630-9	Back coaster plate	1	38	ZD630-2	Motor shelf	1
9	ZD630-18	Front protecting	1	39	ZD630-20	Belt wheel	1
10	ZD630-13	Indicator	1	40		Decelerator motor 60W,i1: 7.5	1
11	ZD630-12	Touch Panel	1	41	GB6170-86	M8 screw	3
12	ZD630-7	Left back protecting plate	1	42		O-630 Triangle	1
13	ZD630-8	Control Board	1	43		6004-2RS	2
14	ZD630-19	Left protecting	1	44	ZD630-3-0	Axis	2
15	ZD630.6	Upper detecting	1	45	ZD630.3.3	Cover pipe	2
16	GB802-76	M4 nut	8	46	GB894.1-86	Stop ring	4
17	GB5783-86	M4X20 screw	8	47	ZD630.3.2	Belt wheel	1
18	ZD630-11	Tunnel protecting	1	48		6304-2RS bearing	2
19	ZD630.4	Cover of electrical	1	49		Sensor pipe	1
20	ZD630-5	Electrical box	1	50		6304-2RS	2
21	GB818-85	M6X12 screw	2	51	ZD630.3-3	Cover pipe	2
22	GB818-85	M6X12 screw	2	52	ZD630.9-1	Axis	2
23	ZD630-4	Right-down protecting cover	1	53		Rubber cover	4
24	ZD630-16	Right-up cover	1	54		Adjusting plate	4
25	GB5783-86	M8X20 Screw tap	4	55	GB2672-82	M8120 Adjusting screw	4
26	ZD630-1	Left-up protecting	1	56		Rubber coaster	2
27	ZD630-15	Left-down	1	57		Coaster	2
28	ZD630.6	Upper detecting	1	58		Printer	1
29	GB5783-86	M4X10 screw	16				
30	GB5783-86	M8X16 screw tap	4				