

Parts book
Buttonhole machine

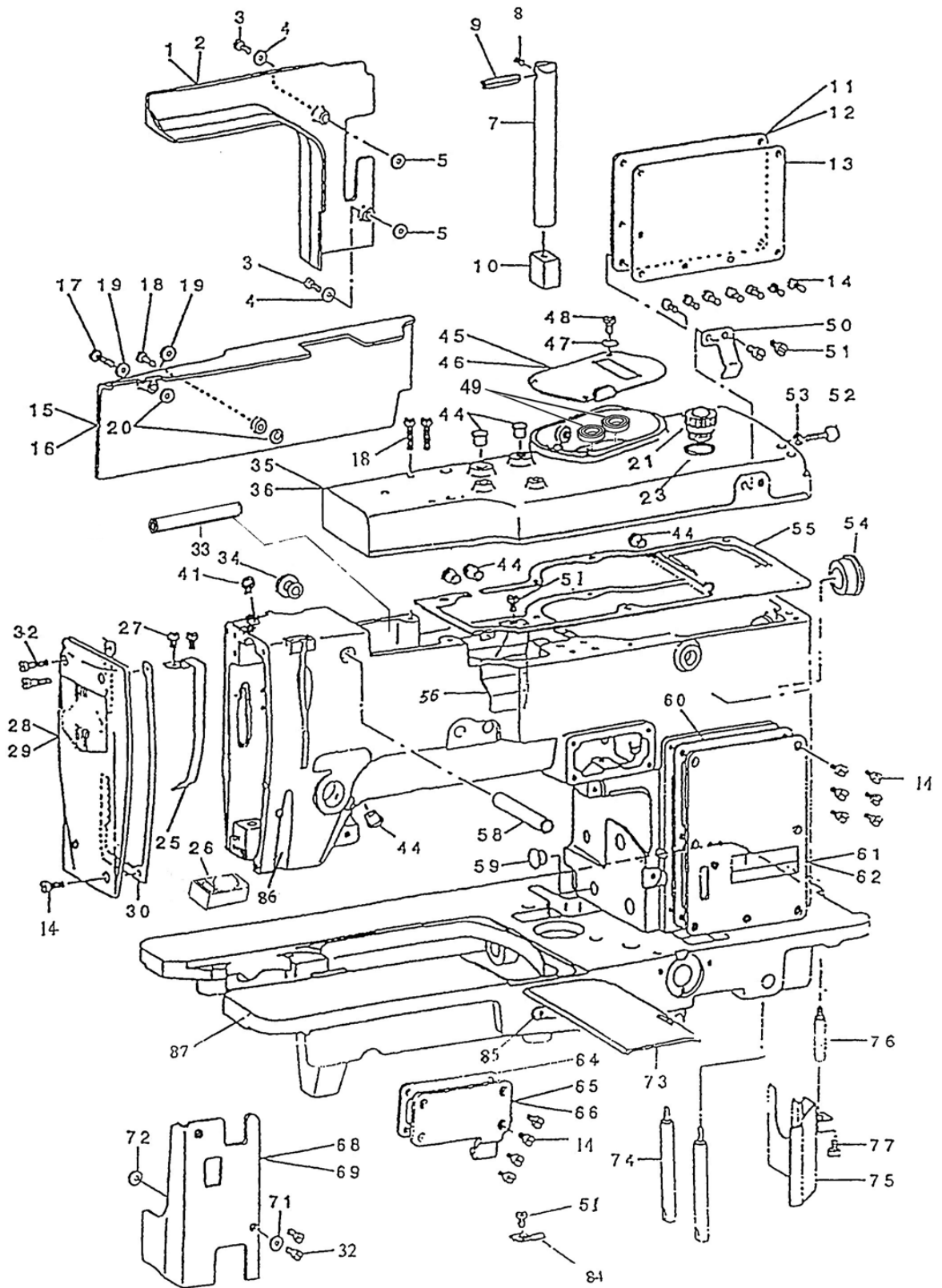
781 SERVO

 *texi*

TABLE OF CONTENTS

1. Frame and Miscellaneous Cover Components (1)	1
2. Frame and Miscellaneous Cover Components (2)	3
3. Main shaft components	4
4. Hook driving shaft components	7
5. Presser bar work clamp carrier components	9
6. Needle bar frame components	11
7. Overedging width adjusting components	13
8. Needle thread trimmer components	15
9. Bobbin thread trimmer components	17
10. Knife bar components	19
11. Feed cam & tripping segment components	22
12. Lifting lever & Bobbin winder components	24
13. Thread tension components	26
14. Lubrication mechanism components	29
15. Electrical control components	32

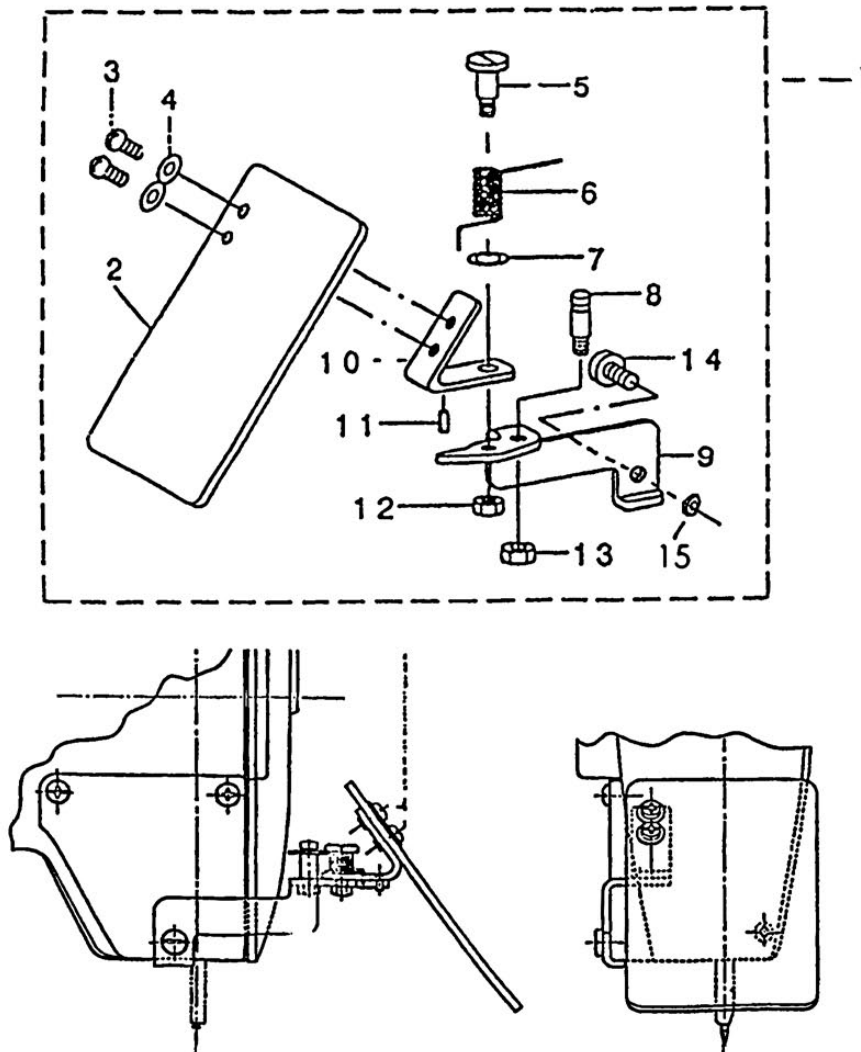
1. Frame and Miscellaneous Cover Components (1)



1. Frame and Miscellaneous Cover Components (1)

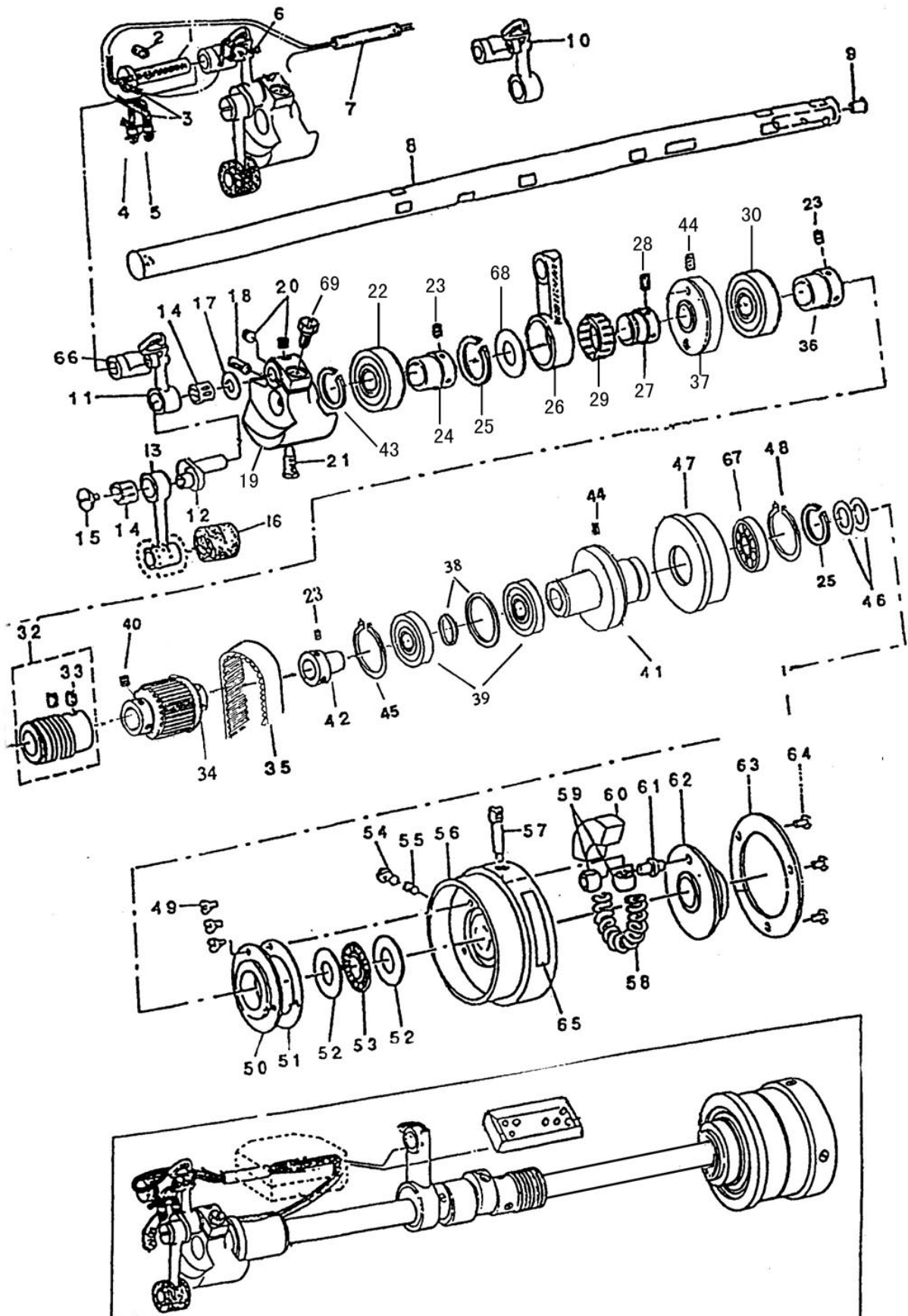
No.	Code	Description	Qty
1	780-10106	FRAME SIDE COVER B	1
3	780-10107	SCREW	2
4	780-10108	WASHER	2
5	780-10109	CUSHION	2
7	780-10110	MACHINE ARM SUPPORT ROD	1
8	780-10111	SCREW	1
9	GB879-76	PIN	1
10	780-10112	RUBBER CUSHION	1
11	780-10113	SIDE COVER (C)	1
13	780-10114	SIDE COVER GASKET (C)	1
14	780-10115	SCREW	20
15	780A-10116	FRAME SIDE COVER C	1
17	780-10117	SCREW	1
18	780-10118	SCREW	7
19	780-10109	CUSHION	2
20	780-10119	FRAME SIDE COVER GASKET (C)	2
21	780-1-21	OIL SIGHT WINDOW	1
23	GB/T3452, 1-1992	OIL SIDE WINDOW GASKET	1
25	780-10122	THREAD TAKE UP LEVER OIL GUARD	1
26	780A-10126	BLOCK OIL PLANK	1
27	780-10123	SCREW	2
28	780A-10124	FACE COVER COMPL.	1
30	780A-10125	FACE PLATE GASKET	1
32	780-10127	SCREW	4
33	780A-10128	SHAFT	4
35	780A-10129	TOP COVER	1
41	780A-10133	RUBBER PLUG	1
44	780-10135	RUBBER PLUG	7
45	780-10136	GEAR GASKET COVER	1
47	GB/T860-1986	DISK SPRING	1
48	780-10137	HINGE SCREW	1
49	GB/T13871-1992	RUBBER RING	2
50	780-10139	HAND STOP LATCH	1
51	780-10140	SCREW	4
52	780-10141	BALL SCREW	1
53	780-10142	NUT	1
54	780-10143	RUBBER PLUG	1
55	780A-10144	TOP COVER GASKET REAR	1
56	780-10145	ARM OIL SHIELD	1
58	780-10146	KNIFE STOP LEVER SHAFT GUIDE	1
59	780-10147	RUBBER PLUG	1
60	780-10148	SIDE COVER (A) GASKET	1
61	780-10149	SIDE COVER (A)	1
64	780-10150	OIL SIGHT WINDOW GASKET	1
65	780A-10151	SIDE COVER B	1
68	780-10152	SIDE COVER A	1
71	780-10108	WASHER	2
72	780-10109	CUSHION	2
73	780-10153	BED SLIDE	1
74	780A-10155	BED SCREW STUD A	2
75	780-10156	BED OIL SHIELD	1
76	780-10157	LOOPER COVER OIL SHIELD STUD	1
77	780-10158	SCREW	1
84	780-10154	BED SLIDE SPRING	1
86	780-10101	MACHINE HEAD	1
87	780-10102	SCALEBOARD	1

2. Frame and Miscellaneous Cover Components (2)



No.	Code	Description	Qty
1	780-10201	SAFETY PLATE ASM	1
2	780-10202	SAFETY PLATE	1
3	780-10203	SCREW	2
4	780-10204	WASHER	2
5	780-10205	HINGE SCREW	1
6	780-10206	SAFETY PLATE RETURN SPRING	1
7	780-10207	WASHER	1
8	780-10208	TENSION SPRING RACK B	1
9	780-10209	SAFETY PLATE INSTALLING BASE	1
10	780-10210	SAFETY PLATE INSTALLING PLATE	1
11	GB879-76	SPRING PIN	1
12	780-10211	NUT	1
13	780-10142	NUT	1
14	780A-10529	SCREW	1
15	780A-11432	WASHER	1

3. Main shaft components



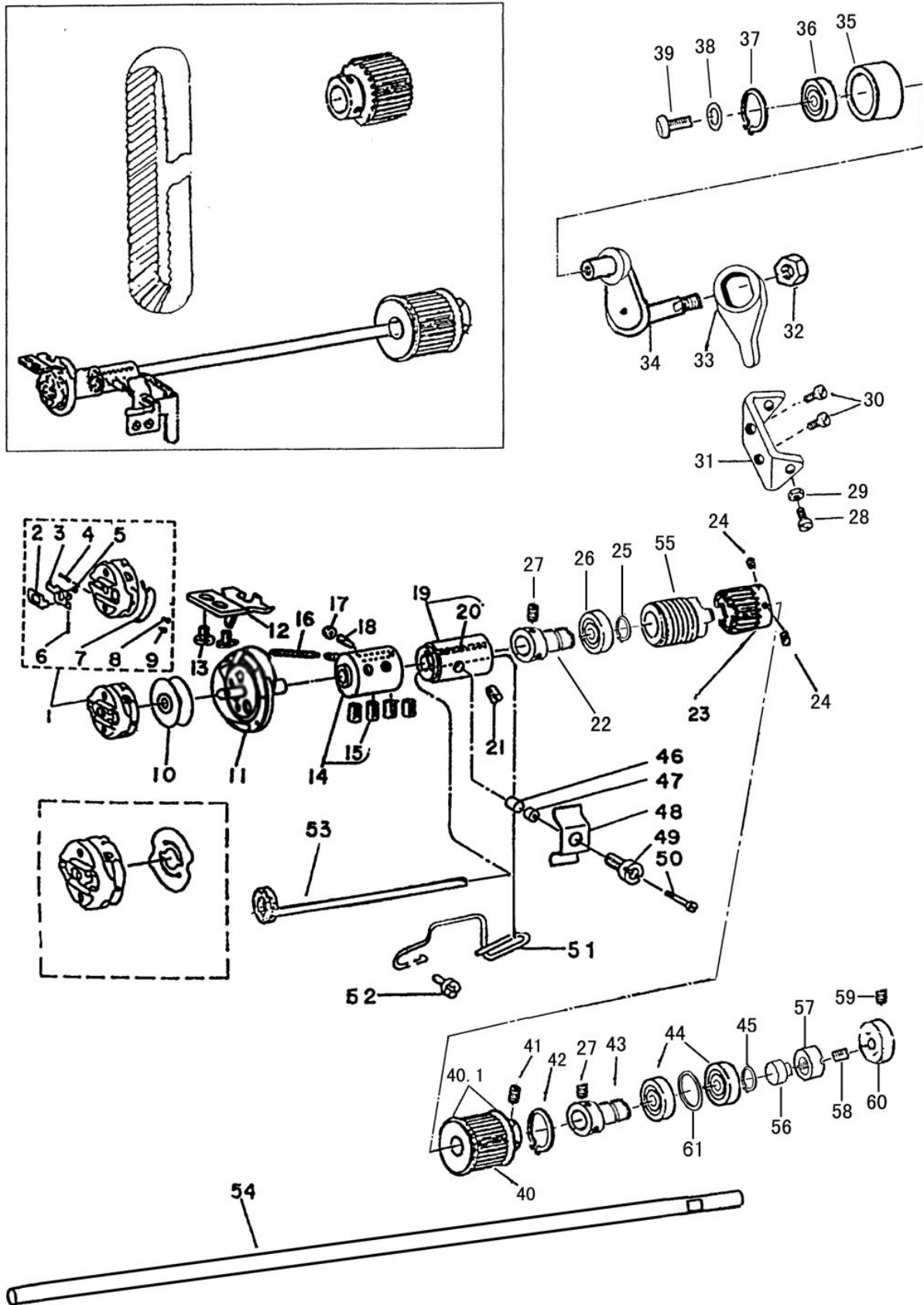
3. Main shaft components

No.	Code	Description	Qty
1	780-10301	HINGE STUD	1
2	780-10302	SCREW	1
3	780-10303	OIL WICK	1
4	780A-10304	OIL WICK	1
5	780A-10305	OIL WICK	1
6	780-10306	OIL WICK SNAP RING	1
7	780-10307	VINYL PIPE	1
8	780A-10308	MAIN SHAFT	1
9	780-10309	RUBBER PLUG	1
10	780-10310	THREAD TAKE-UP LEVER ASM CER.	1
11	780-10312	THREAD TAKE-UP LEVER ASM	1
12	780-10313	NEEDLE BAR CRANK	1
13	780-10314	NEEDLE BAR CONNECTING ROD	1
14	GB2581-76	NEEDLE BEARING	2
15	780-10315	LEFT SCREW	1
16	780-10316	OIL FELT WASHER	1
17	780-10317	NEEDLE ROD CRANK WASHER	1
18	780-10318	SCREW	1
19	780-10319	COUNTERWEIGHT	1
20	780-10320	SCREW	2
21	780-10321	SCREW	1
22	6204-2Z	BUSHING FRONT	1
23	780-10331	SCREW	6
24	780A-10324	BUSHING FRONT POSITION SET	1
25	GB/T894.1-1986 (3-25)	RETAINING RING 25	1
26	780A-10326	KNIFE BAR DRIVING CONNECTION R	1
27	780A-10327	KNIFE BAR DRIVING ECCENTRIC	1
28	780-10328	SCREW	2
29	9240/25*29*12.5	NEEDLE BEARING	1
30	61904-Z	BEARING	1
31	780-10302	SCREW	1
32	780-10330	TENSION POST NO. 3	1
33	780-10331	SCREW	2
34	780A-10332	UPPER SHAFT SPROCKET	1
35	780A-10336	TIMING BELT	1
36	780A-10334	BUSHING CENTER POSITION SET	1
37	780A-10333	BUSHING CENTER SET	1
38	780A-10335	BUSHING BEHIND RING	2
39	61904-Z	BUSHING BEHIND	2
40	GB/T77-2000	SCREW	2
41	780A-10337	BUSHING BEHIND BASE	1
42	780A-10338	BUSHING BEHIND POSITION SET	1
43	GB/T894.1-1986 (3-43)	RETAINING RING 20	1
44	780-10323	SCREW	2
45	GB/T893.1-1986	RETAINING RING 37	1
46	780-10341	WASHER B	1
47	780-10342	LOOSE PULLEY ASM	1
48	GB894-76	RETAINING RING 30	1
49	780-10343	SCREW	3
50	780-10344	MAIN SHAFT THRUST SEAL	1
51	78010345	GASKET	1
52	780-10346	THRUST WASHER A	2
53	JB2581-76	BEARING	1
54	780-10348	SCREW	1
55	780-10320	SCREW	1

3. Main shaft components

No.	Code	Description	Qty
56	780-10349	DRIVING PULLEY	1
57	780-10350	SCREW	1
58	780-10351	STOP CAM PRESSURE SPRING	1
59	780-10352	STOP MOTION CAM PIN SLIDE BLOCK	2
60	780-10353	SPARE PART	1
61	780-10354	STOP MOTION CAM POSITION PIN	1
62	780-10355	STOP MOTION CAM	1
63	780-10356	STOP MOTION CAM PRESSER PLATE	1
64	780-10140	SCREW	3
65	780-10357	DIRECTION LABEL	1
66	780-10311	HINGE CRANK	1
67	GB278-76	BEARING	1
68	780A-10358	ECCENTRIC CAM RETAINING RING	1

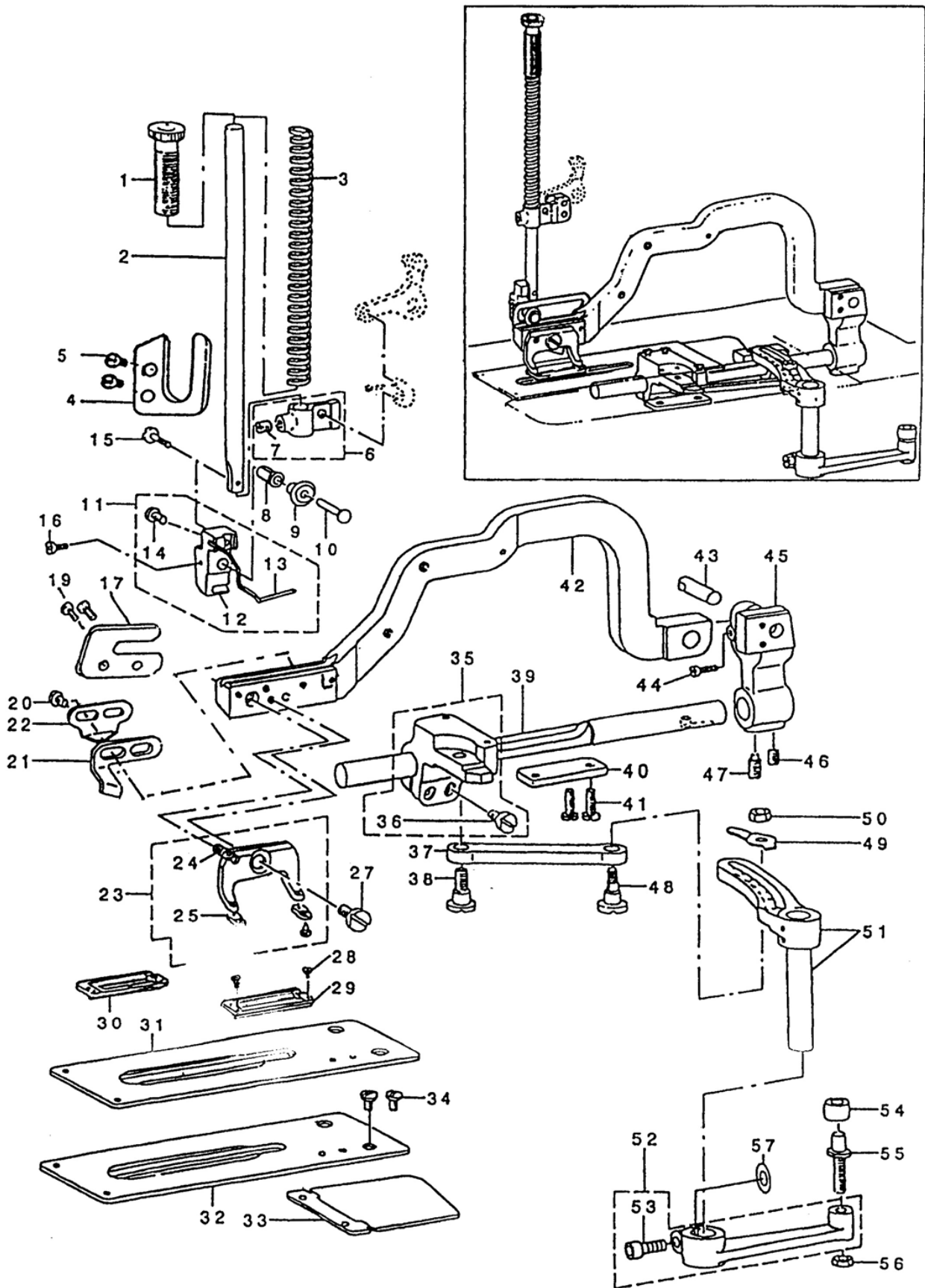
4. Hook driving shaft components



4. Hook driving shaft components

No.	Code	Description	Qty
1	SC70-771	BOBBIN CASE ASM	1
10	780-10401	BOBBIN	1
11	B1808-771-0AC	HOOK ASM	1
12	780-10402	BOBBIN CASE POSITIONING PLATE	1
13	780-10158	SCREW	2
14	780-10403	HOOK SLEEVE ASM	1
15	78010404	SCREW	4
16	780-10405	OIL WICK	1
17	780-10406	NUT	1
18	780-10407	ADJUSTING SCREW	1
19	780-10408	BUSHING ASM FRONT	1
20	780-10405	OIL WICK	1
21	780-10323	SCREW	3
22	780A-10409	BEARING BUSH INTERMEDIATE	1
23	780A-10410	PINION ASM	1
24	780-10331	SCREW	2
25	GB867-76	RETAINING RING	1
26	6001	BEARING	1
27	780-11117	SCREW	4
28	GB/T70.1-2000	SCREW	2
29	GB52-76	NUT	2
30	780-10631	SCREW	2
31	780A-10411	REGULATE POLE SHELF	1
32	780A-10412	NUT	1
33	780A-10413	REGULATE ACCESSORIES	1
34	780A-10414	CONNECTOR	1
35	780A-10415	RING	1
36	6000	BEARING	1
37	GB893-76	RETAINING RING	1
38	9-2-185	WASHER	1
39	780-11512	SCREW	1
40	780A-10417	HOOK DRIVING SHAFT SPROCKET	1
41	GB/T77-2000	SCREW	2
42	GB893-76	RETAINING RING 32	1
43	780A-10418	BEARING BUSH, REAR	1
44	6002	BEARING	2
45	GB894-76	RETAINING RING 15	1
46	780-10426	HOOK OIL SUPPLY RUBBER ASM	1
47	780-10427	BUSHING	1
48	780-10428	PLATE SPRING	1
49	780-10429	HOOK OIL ADJUSTING SCREW	1
50	780-10430	POSITIONING SCREW	1
51	780-10431	OIL SUPPLY FELT HOLDER	1
52	780-10432	SCREW	1
53	780-10434	OIL SUPPLY FELT	1
54	780A-10435	HOOK DRIVING SHAFT	1
55	780A-10436	OIL PUMP WORM ASM	1
56	780A-10437	MAT PIECE	1
57	780A-10438	BEARING REGULATE NUT, REAR	1
58	780A-10439	SCREW	1
59	780-10111	SCREW	1
60	780A-10440	BEARING PEG, REAR	1
61	780A-10441	BUSHING BEHIND RING	1

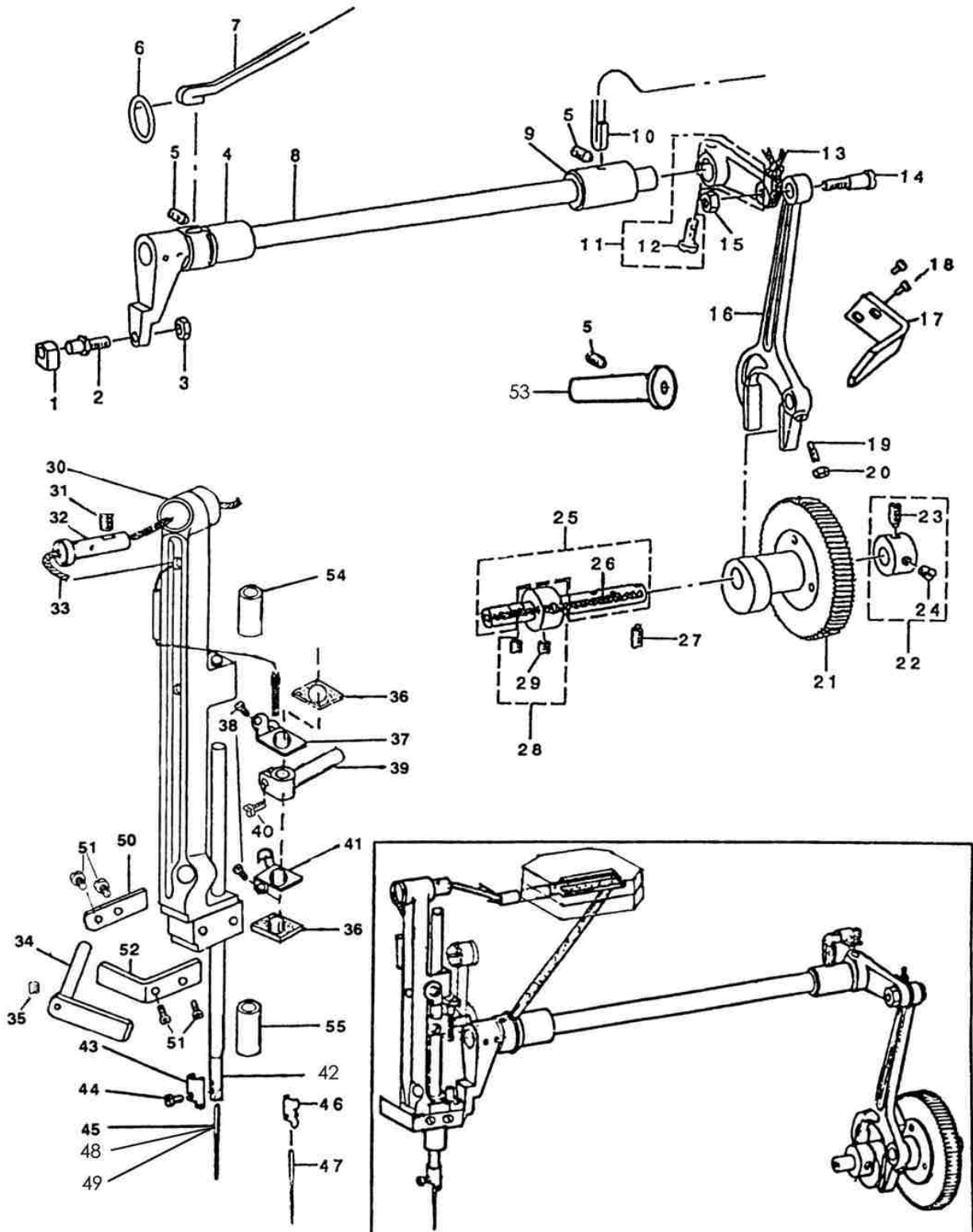
5. Presser bar work clamp carrier components



5. Presser bar work clamp carrier components

No.	Code	Description	Qty
1	780-10501	PRESSER SPRING REGULATOR	1
2	780A-10502	PRESSER BAR	1
3	780-10503	PRESSER SPRING	1
4	780A-10504	PRESSER BAR GUIDE BRACKET	1
5	780-10512	SCREW	2
6	780A-10506	PRESSER BAR POSITION BRACKET A	1
7	780-10328	SCREW	1
8	78010507	COLLAR	1
9	780-10508	SLIDE ROLLER	1
10	780-10509	CONNECTING PIN	1
11	780-10510 (5-11)	BRACKET ASM	1
12	780-10510 (5-12)	BRACKET	1
13	708-10511	FINGER GUARD	1
14	780-10512	SCREW	1
15	780-10513	SCREW	1
16	780-10140	SCREW	1
17	780A-10514	WORK CLAMP BRACKET	1
19	780-10631	SCREW	2
20	780-10516	SCREW	2
21	780-10517	NEEDLE THREAD TRIMMER GUIDE A	1
22	780-10518	NEEDLE THREAD TRIMMER GUIDE B	1
23	780-10519	WORK CLAMP CHECK HOLDER ASM	1
24	780-10520	WORK CLAMP CHECK HOLDER SPRING	1
25	780-10521	WORK CLAMP CHECK SPRING	2
26	780-10522	WORK CLAMP CHECK SPRING SET	2
27	780-10523	HINGE SCREW	1
28	780-10524	SCREW	2
29	780-10525	WORK CLAMP CHECK	1
31	780-10527	WORK CLAMP CARRIER	1
33	780-10528	BRACKET COVER	1
34	780-10529	SCREW	2
35	780-10530	WORK CLAMP ARM BRACKET ASM	1
36	780-10531	SCREW	1
37	780-10532	WORK CLAMP CARRIER BRACKET	1
38	780-10533	HINGE SCREW	1
39	780-10534	WORK CLAMP ARM SLIDE ROD	1
40	780-10535	WORK CLAMP CARRIER BRACKET GUIDE	1
41	780-10536	SCREW	2
42	780A-10537	WORK CLAMP	1
43	780-10538	CONNECTING PIN	1
44	780-10539	SCREW	1
45	780-10540	BEARING ARM	1
46	780-10323	SCREW	1
47	780-10541	SET-SCREW	1
48	780-10542	LENGTH REGULATING HINGE STUD	1
49	780-10543	LENGTH REGULATING SHAFT GUIDE	1
50	780-10544	NUT	1
51	780-10545	LENGTH REGULATING SCALE ASM	1
52	780-10546	CLOTH FEED ARM ASM	1
53	GB70-78	SCREW	1
54	780A-10547	ROLLER	1
55	780-10548	BELL CRANK ROLLER STUD	1
56	780-10544	NUT	1
57	780-10549	WASHER	1

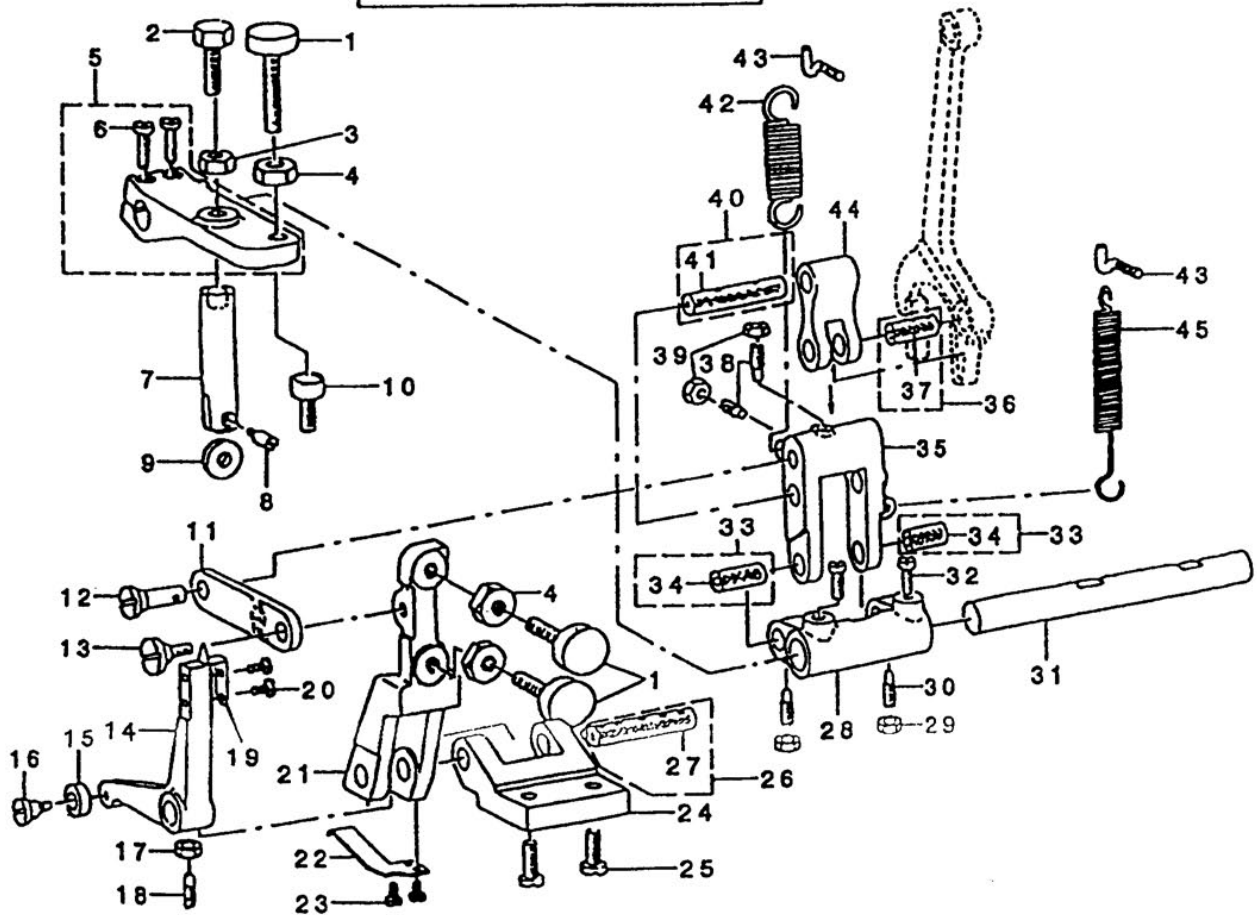
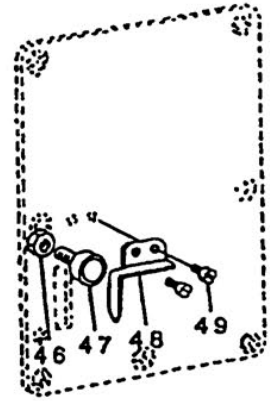
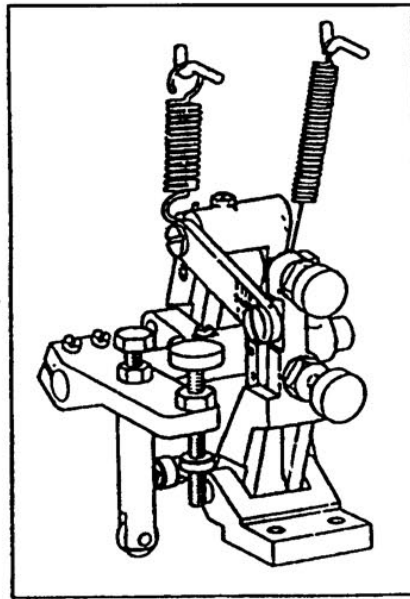
6. Needle bar frame components



6. Needle bar frame components

No.	Code	Description	Qty
1	780A-10601	SQUARE BLOCK	1
2	780A-10602	STUD	1
3	780-10544	NUT	1
4	780A-10603	BUSHING	1
5	780-10302	SCREW	3
6	GB1235-76	RUBBER RING	1
7	780-10605	OIL WICK	1
8	780A-10606	FRAME ROCK SHAFT CRANK ASM	1
9	780-10607	BUSHING REAR	1
10	780-10608	OIL FELT	1
11	780A-10609	FRAME ROCK SHAFT CRANK ASM	1
12	780-10610	SCREW	1
13	780-10611	OIL WICK	1
14	780-10612	HINGE SCREW	1
15	780-10613	NUT	1
16	780-10614	NEEDLE BAR PITMAN	1
17	780A-10615	ROCK SHAFT CONNECTION GUIDE	1
18	780A-10616	SCREW	2
19	780-10617	SCREW	1
20	780-10211	NUT	1
21	780-10618	NEEDLE DRIVING GEAR ASM	1
22	780-10619	THRUST COLLAR ASM	1
23	780-10541	SET-SCREW	1
24	780-10323	SCREW	1
25	780-10620	KNIFE DRIVING SHAFT ASM	1
26	780-10621	OIL WICK	/
27	780-10541	SET-SCREW	/
28	780-10619	THRUST COLLAR ASM	/
29	780-10323	SCREW	1
30	780A-10622	NEEDLE BAR FRAME	1
31	5-41-185	SCREW	1
32	780A-10624	HINGE STUD	2
33	780-10611	OIL WICK	1
34	780A-10625	POSITION BRACKET	1
35	780-11116	SCREW	1
36	780-10626	OIL FELT	1
37	780A-10627	ROCK SHAFT CONNECTING GUIDE	1
38	780-10628	SCREW	2
39	780A-10629	NEEDLE BAR CONNECTION	1
40	780-10631	SCREW	1
41	780A-10632	OIL FELT RETAINER LOWER	2
42	780-10633	NEEDLE BAR	1
43	780-10634	NEEDLE BAR BOBBIN THREAD GUIDE	1
44	780-10635	SCREW	1
45	135*35	NEEDLE 135*35	1
46	780-10636	NEEDLE BAR BOBBIN THREAD GUIDE	1
47	134ES	NEEDLE	1
48	135*35	NEEDLE	1
49	134	NEEDLE	1
50	780A-10637	LEFT STATOR	1
51	780-10512	SCREW	4
52	780A-10638	RIGHT STATOR	1
53	780A-10639	AXIS	1
54	780A-10640	NEEDLE BAR BUSH (HIGH)	1
55	780A-10641	NEEDLE BAR BUSH (LOW)	1

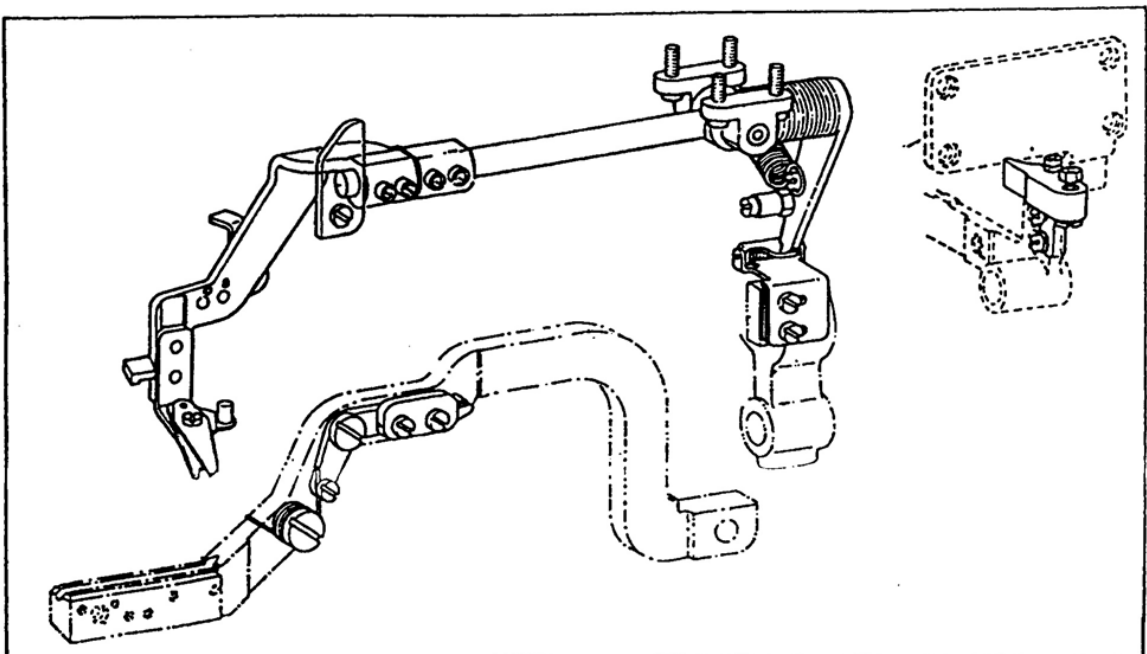
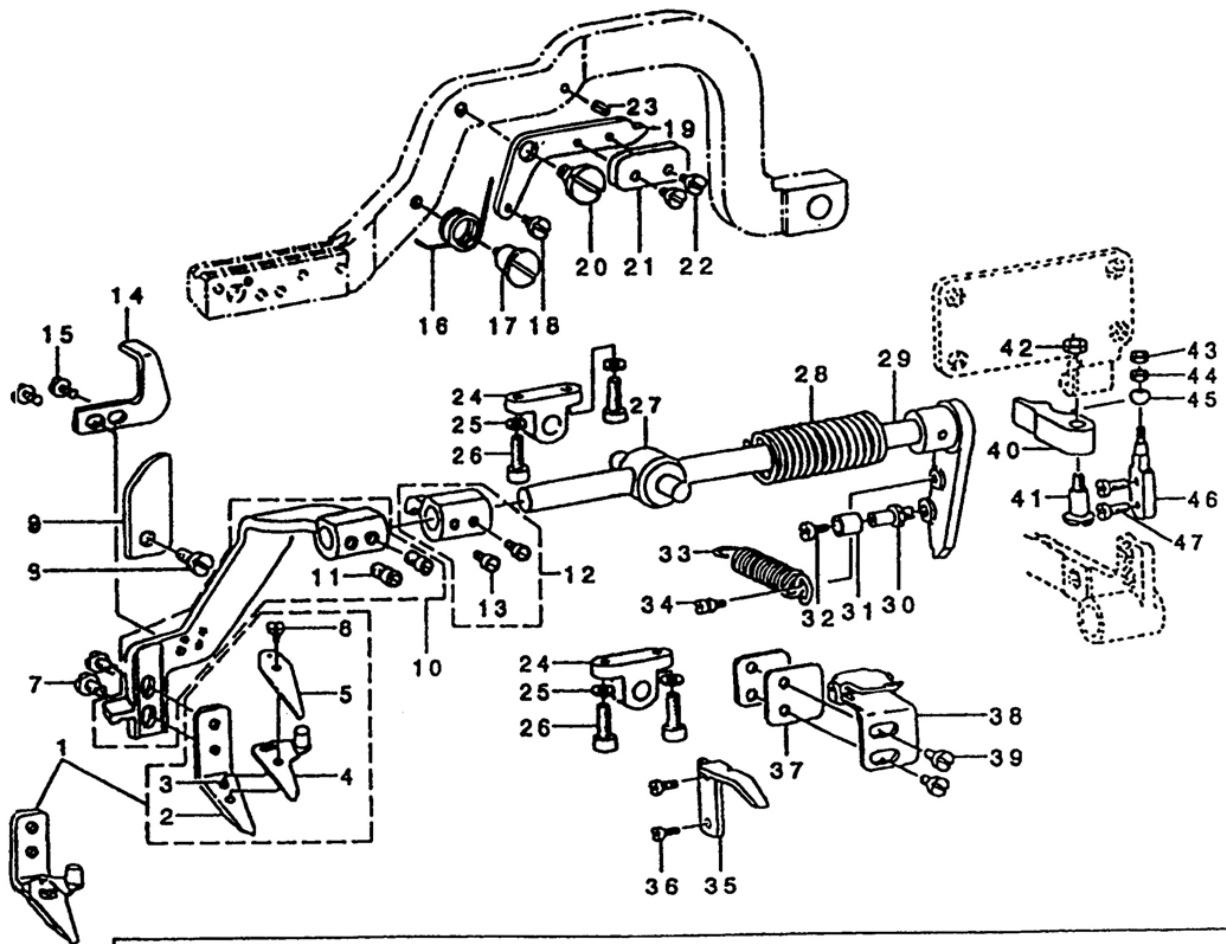
7. Overredging width adjusting components



7. Overedging width adjusting components

No.	Code	Description	Qty
1	780-10701	STITCH WIDTH REGULATING SCREW	3
2	780-10733	SCREW	1
3	780-10732	NUT	1
4	GB41-76	NUT	3
5	780-10702	REPOSITIONING LEVER ASM	1
6	780-10703	SCREW	2
7	780-10704	TRIPPING ROD ASM	1
8	780-10705	PIN	1
9	780-10706	ROLLER	1
10	780-10707	REGULATING LEVER STOPPER ASM	1
11	780-10708	REGULATING LEVER CONNECTION	1
12	780-10709	REGULATING HINGE PIN	1
13	780-10710	HINGE SCREW	1
14	780-10711	BELL CRANK	1
15	780-10712	ROLLER	1
16	780-10713	HINGE SCREW	1
17	780-10211	NUT	1
18	780-10617	SCREW	1
19	780-10714	BARRED WIDTH INDICATOR	1
20	780-10635	SCREW	2
21	780-10715	REGULATING LEVER	1
22	780-10716	SPRING	1
23	780-10635	SCREW	2
24	780-10717	REGULATING LEVER BRACKET	1
25	780-10610	SCREW	2
26	780-10718	REGULATING LEVER SHAFT ASM	1
27	780-10736	OIL WICK	1
28	780-10719	BEARING BRACKET	1
29	780-10211	NUT	1
30	780-10617	SCREW	1
31	780-10720	NEEDLE THROW REPOSITIONING SHAFT	1
32	780-10721	SCREW	2
33	780-10722	BEARING BRACKET ASM	2
34	780-10737	OIL WICK	2
35	780-10723	REPOSITIONING LEVER LINK	1
36	780-10724	CONNECTING FORKED LINK PIN ASM	1
37	780-10734	OIL WICK	1
38	780-10617	SCREW	2
39	780-10211	NUT	2
40	780-10725	CONNECTING STUD ASM	1
41	780-10735	OIL WICK	1
42	780-10726	SPRING	1
43	780-10727	SUSPENSION SCREW	2
44	780-10728	CONNECTING FORKED LINK	1
45	780-10729	SPRING	1
46	780-10544	NUT	1
47	780-10707	REGULATING LEVER STOPPER ASM	1
48	780-10731	SEAM WIDTH INDICATOR	1
49	780-10635	SCREW	2

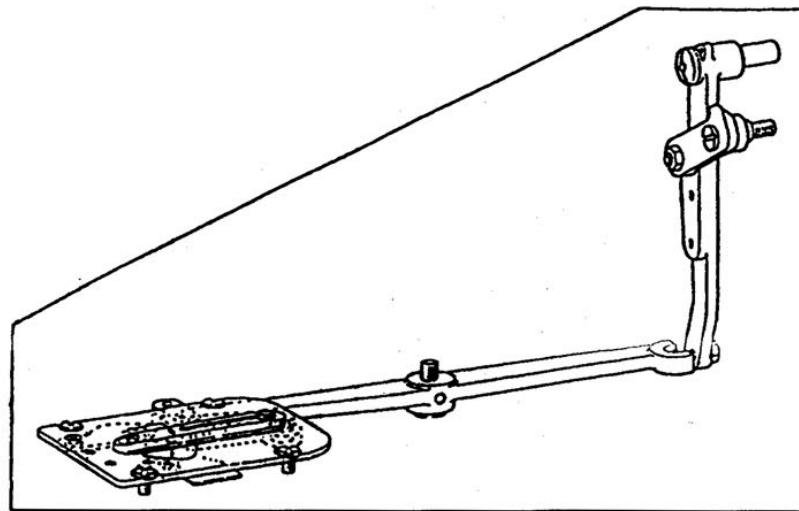
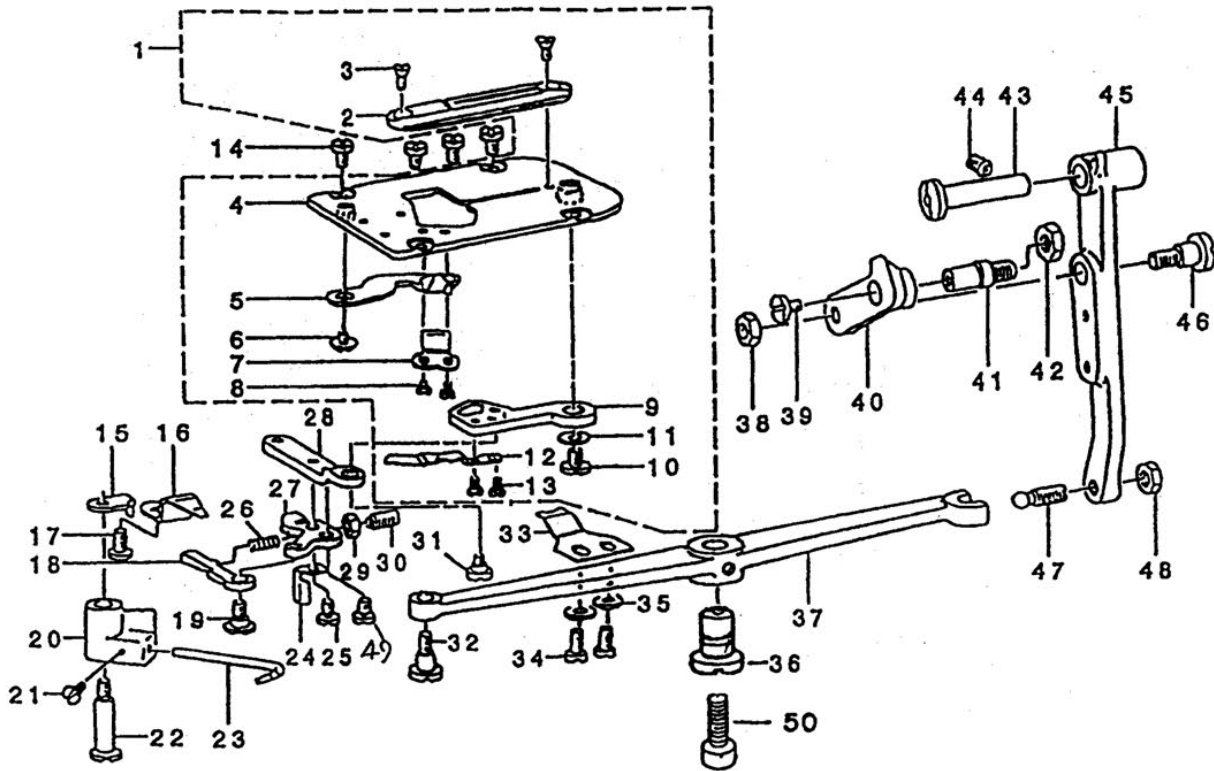
8. Needle thread trimmer components



8. Needle thread trimmer components

No.	Code	Description	Qty
1	780-10801	NEEDLE THREAD TRIMMER ASM	1
2	780-10802	NEEDLE THREAD TRIMMER LOWER	1
3	780-10803	POSITION PIN	1
4	780-10804	NEEDLE THREAD TRIMMER UPPER	1
5	780-10805	NEEDLE THREAD PRESSURE SPRING	1
6	780-10806	HINGE SCREW	1
7	780-10158	SCREW	2
8	780-10807	NEEDLE THREAD TRIMMER SHAFT	1
9	780-10808	SCREW	1
10	780A-10809	THREAD TRIMMER HOLDER ASM	1
11	GB-T78-1985	SCREW	2
12	780-10811	DIFFERENTIAL HOLDER ASM	1
13	GB-T78-1985	SCREW	2
14	780A-10812	LIMITING PLATE	1
15	780-10516	SCREW	2
16	780-10813	DRIVING CAM SPRING	1
17	780-10814	DRIVING CAM SPRING AXLE	1
18	780-10815	HINGE SCREW	1
19	780-10816	DRIVING CAM INSTALLING PLATE	1
20	780-10817	HINGE SCREW	1
21	780-10818	DRIVING CAM	1
22	780-10512	SCREW	2
23	GB/T879-1986	SPRING PIN	1
24	780-10819	BRACKET	1
25	780-10820	SPRING WASHER	4
26	780-10821	SCREW	4
27	780-10822	UNIVERSAL JOINT	1
28	780-10823	THREAD TRIMMER SPRING B	1
29	780-10824	NEEDLE THREAD TRIMMER SHAFT ASM	1
30	780-10825	STUD	1
31	780-10826	CAM ROLL	1
32	780-10827	SCREW	1
33	780-10828	THREAD TRIMMER SPRING A	1
34	780-10829	SUSPENSION SCREW	1
35	780-10830	LATCH PRESSER ARM	1
36	780-10512	SCREW	2
37	780-10831	SPACER	1
38	780-10832	LOCKING BRACKET LATCH ASM	1
39	780-10516	SCREW	2
40	780-10833	THREAD TRIMMING SHAFT SEGMENT	1
41	780-10834	HINGE SCREW	1
42	780-10211	NUT	1
43	780-10836	NUT	1
44	780-10835	NUT	1
45	780-10837	ROLLER	1
46	780-10838	STUD	1
47	780-10516	SCREW	2

9. Bobbin thread trimmer components



9. Bobbin thread trimmer components

No.	Code	Description	Qty
1	780-10901	NEEDLE PLATE ASM	1
2	780-10902	NEEDLE PLATE	1
3	780-10903	SCREW	2
4	780-10904	THROAT PLATE BASE ASM	1
5	780-10905	BOBBIN THREAD TRIMMER BLADE ASM	1
6	780-10906	SCREW	1
7	780-10907	COUNTER KNIFE	1
8	780-10908	SCREW	2
9	780-10909	BOBBIN THREAD TRIMMER LEVER	1
10	780-10910	SCREW	1
11	780-10911	WASHER	1
12	780-10912	BOBBIN THREAD PULLER	1
13	780-10913	SCREW	2
14	780-10914	SCREW	4
15	780-10915	HOOK THREAD PRESSER STOPPER	1
16	780-10916	PRESSER PLATE	1
17	780-10516	SCREW	1
18	780-10917	BOBBIN PICKER PRESSER PLATE	1
19	780-10918	HINGE SCREW	1
20	780-10919	BOBBIN PICKER BRACKET	1
21	780-10920	SCREW	1
22	780-10921	BOBBIN PICKER BRACKET SHAFT	1
23	780-10922	BOBBIN WINDER TRIP LATCH	1
24	780-10923	SAFETY STOPPER	1
25	780-10924	SCREW	1
26	780-10925	PRESSER PLATE ADJUSTING SPRING	1
27	780-10926	PRESSER PLATE MOUNTING BASE	1
28	780-10927	BOBBIN THREAD TRIMMER LINK	1
29	780-10928	NUT	1
30	780-10929	PRESSER PLATE ADJUSTING SCREW	1
31	780-10930	HINGE SCREW	1
32	780-10931	HINGE SCREW	1
33	780-10932	BOBBIN THREAD GUIDE	2
34	780-10933	SCREW	2
35	780-10108	WASHER	1
36	780A-10934	SHAFT	1
37	780A-10935	BOBBIN THREAD TRIMMER DRIVING	1
38	780-10544	NUT	1
39	780-10936	SCREW	1
40	780-10937	CONNECTING LINK	1
41	780-10938	STOP SCREW	1
42	780-10939	NUT	1
43	780-10940	HINGE STUD	1
44	780-10323	SCREW	1
45	780-10941	BOBBIN THREAD TRIMMER DRIVING	1
46	780-10942	HINGE SCREW	1
47	780-10943	BALL SCREW	1
48	780-10544	NUT	1
49	780-10203	SCREW	1
50	780A-10944	SCREW	1

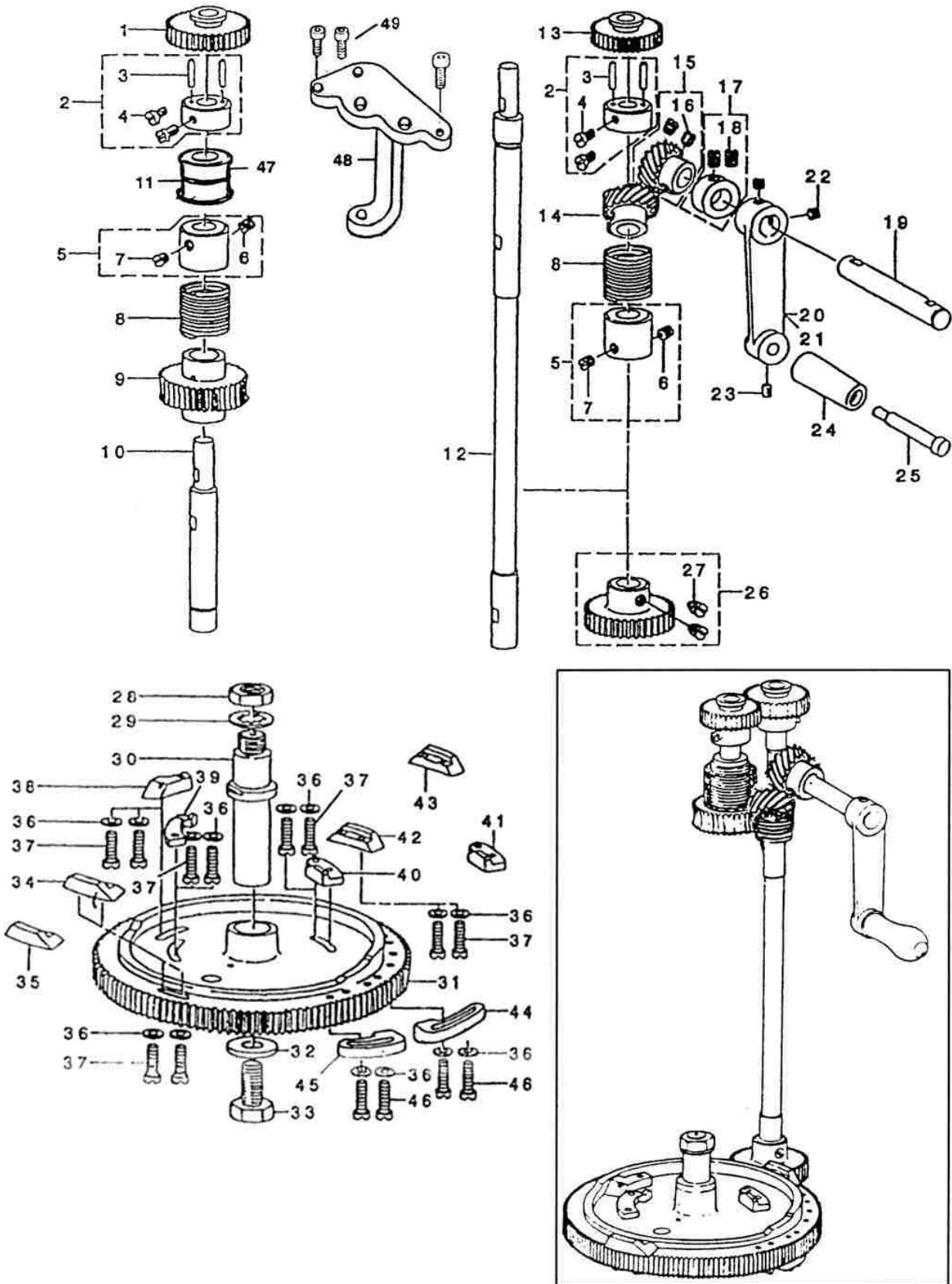
10. Knife bar components

No.	Code	Description	Qty
1	780-11001	KNIFE STOP LEVER BRACKET	1
2	780-11002	WASHER	2
3	780-10516	SCREW	2
4	780-11004	KNIFE STOP LEVER	1
5	780-11005	SCREW	2
6	780-11006	KNIFE STOP LEVER HINGE STUD	1
7	780-11007	THREAD CHECK WIRE	1
8	780-10516	SCREW	1
9	780A-11008A	KNIFE BAR	1
10	780A-11009A	KNIFE BAR SET	1
11	GB/T862,1-1987	LOCK TIGHT WASHER DIA. 6	1
12	780A-11010	PIN	1
13	780A-11011	KNIFE BAR CONNECTING LINK	1
14	780A-11012	PIN	1
15	780A-11013A	KNIFE STUD RETAINER (B)	1
16	780A-11014A	KNIFE BAR DIRECTION	1
17	780A-11058A	KNIFE BAR HOLDER	2
18	780-11015	KNIFE HOLDER	1
19	GB93-76	SPRING WASHER	2
20	GB70-76	SCREW	2
21	780-11016	KNIFE	1
22	780-11017	WASHER	1
23	780-11018	SCREW	1
24	780A-11019	KNIFE BAR DRIVING LEVER	1
25	780-11020	SCREW	1
26	780-11021	SPRING	1
27	780-11022	HINGE SCREW	1
28	780-11023	KNIFE BAR DRIVING LEVER ASM	1
29	780-11024	NUT	1
30	780-11025	KNIFE BAR DRIVING LEVER SHAFT	1
31	780-11026	NUT	1
32	780-11027	HINGE SCREW	1
33	780-11028	NUT	1
34	780-11029	KNIFE BAR DRIVING CRANK NUT	1
35	780-11030	TENSION SPRING	1
36	780-11031	LATCH	1
37	780-11032	SCREW	1
38	780-11033	KNIFE BAR DRIVING CRANK	1
39	780-11041	OIL WICK	1
40	780-11034	OIL WICK HOLDER	1
41	780-10123	SCREW	1
42	GB70-76	SCREW	2
43	780-11036	HINGE SCREW	1
44	780A-11037	KNIFE BAR DRIVING CRANK SHAFT	1
46	780-11039	KNIFE BAR DRIVING LEVER BELL	1
47	780-11040	SCREW	1
48	780-10211	NUT	1
49	780-11036	HINGE SCREW	1
50	780-11042	NUT	1

10. Knife bar components

No.	Code	Description	Qty
51	780-11043	PIN	1
52	780-10940	HINGE STUD	1
53	780-10323	SCREW	1
54	780-11045	TENSION SPRING	1
55	780-11046	RATCHET (B)	1
56	780-11047	HOOK DIFFERENTIAL CLICK A ASM	1
57	780-11048	HOOK DIFFERENTIAL CLICK A	1
58	780-11049	SPRING SUSPENSION	1
59	780-11050	THREAD CUTTING LINK SPRING RATCHET	1
60	780-11051	TENSION SPRING	1
61	780-11052	HINGE SCREW	1
62	780-11053	DRIVING ROD	1
63	780-11054	TENSION SPRING	1
64	780-11055	SUSPENSION SCREW	1
65	780-11056	FINGER	1
66	780-10512	SCREW	2
67	GB119-76	POSITIONING PIN	1
68	GB879-76	SPRING PIN	1
69	780-11057	THRUST WASHER	1
70	780A-11059A	DEFEND OIL PLANK	1
71	780A-11160A	KNIFE BAR NEXT	1
72	780A-11061A	SCREW	1
73	780-10824.3	SCREW	1
74	780A-11063A	SCREW	2
75	185-5/31-YD6150850	SCREW	1
76	780A-11065A	SCREW	1

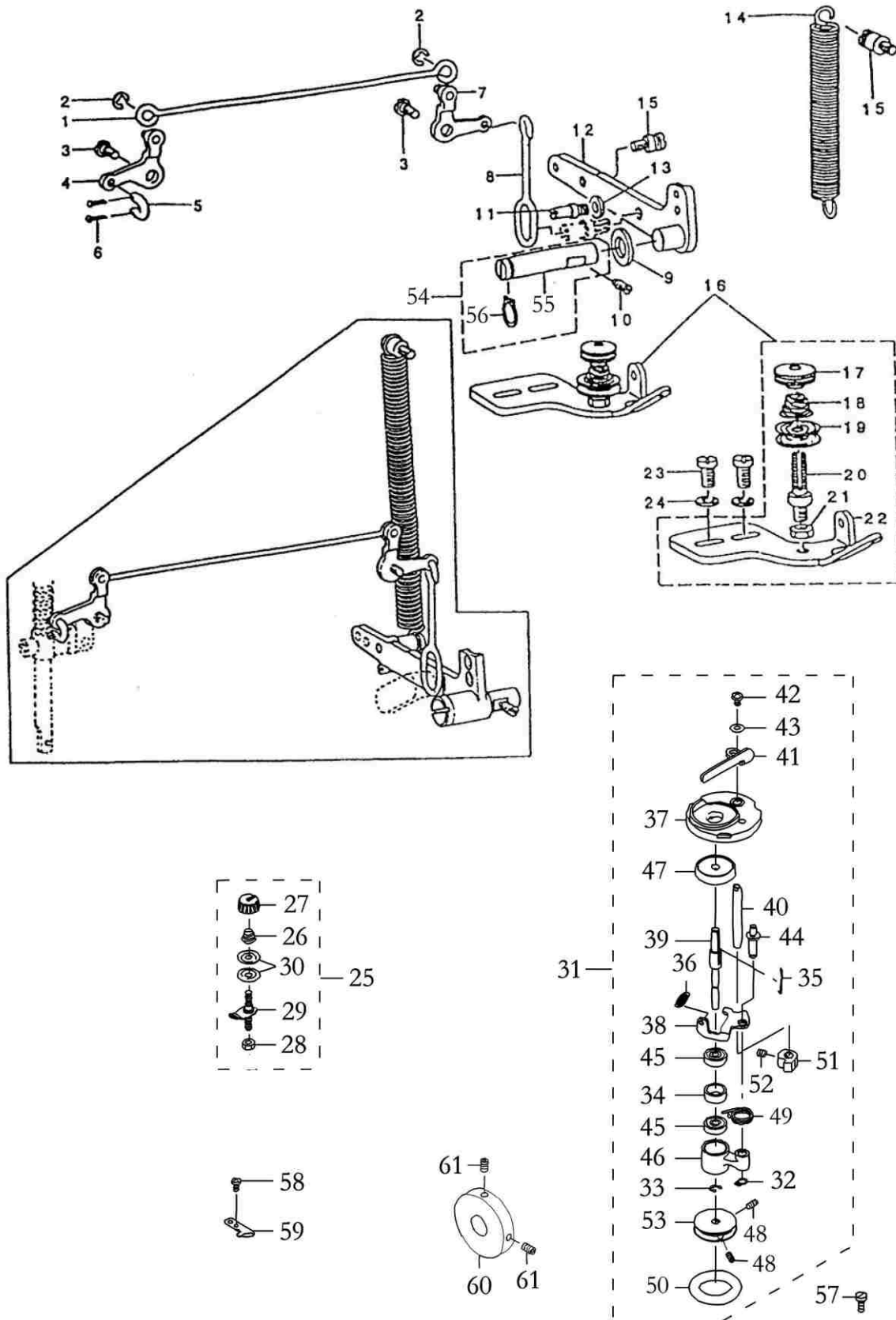
11. Feed cam & tripping segment components



11. Feed cam & tripping segment components

No.	Code	Description	Qty
1	780-11128	SPUR GEAR (152)	1
2	780-11101	SPUR GEAR BUSHING ASM	2
3	780-11102	SPUR GEAR BUSHING PIN	4
4	780A-11103	SCREW	4
5	780A-11104	CLUTCH COLLAR ASM	2
6	780A-11105	SCREW	2
7	780A-11105	SCREW	2
8	780-11106	CLUTCH SPRING	2
9	780A-11107	FEED CAM DRIVING WORM WHEEL	1
10	780A-11108	FEED CAM DRIVING WORM WHEEL SHAFT	1
11	780-11108	OIL FELT	1
12	780A-11110	FEED CAM DRIVING SHAFT	1
13	780-12127	SPUR GEAR (123)	1
14	780A-11111	SPIRAL WHEEL GEAR, BOTTOM	1
15	780A-11112	SPIRAL WHEEL GEAR, TOP	1
16	780A-11105	SCREW	2
17	780-11113	THRUST COLLAR ASM	1
18	780-10333	SCREW	2
19	780A-11114	HANDLE CRANK SHAFT	1
20	780-11115	HANDLE CRANK	1
22	780-11116	SCREW	2
23	780-11117	SCREW	1
24	780-11118	HANDLE SHAFT	1
25	780-11119	HANDLE SHAFT	1
26	780A-11120	FEED CAM DRIVING GEAR ASM	1
27	8-53-185	SCREW	2
28	780-11132	NUT	1
29	780-11121	THRUST WASHER	1
30	780-11122	FEED CAM SHAFT	1
31	780-11123	FEED CAM	1
32	780-11124	WASHER	1
33	780-11125	SCREW	1
34	780-11126	BAR TRIPPING SEGMENT	1
36	780-11002	WASHER	14
37	780-11128	SCREW	10
38	780-11129	KNIFE TRIPPING SEGMENT	1
39	780-11130	TENSION RELEASE TRIPPING SEGMENT	1
40	780-11131	TENSION RELEASE TRIPPING SEGMENT	1
42	780-11126	BAR TRIPPING SEGMENT	1
44	780-11134	LOW SPEED CAM	1
45	780-11135	STOPPER CAM	1
46	780-10127	SCREW	4
47	780A-11136	FASTNESS BUSHING	1
48	780A-11137	WHEEL GEAR FIXED POSITION	1
49	4-26-185	SCREW	3

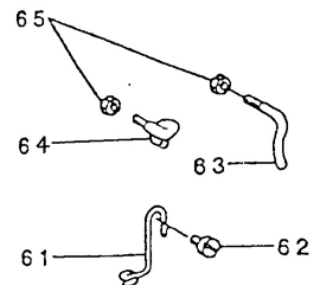
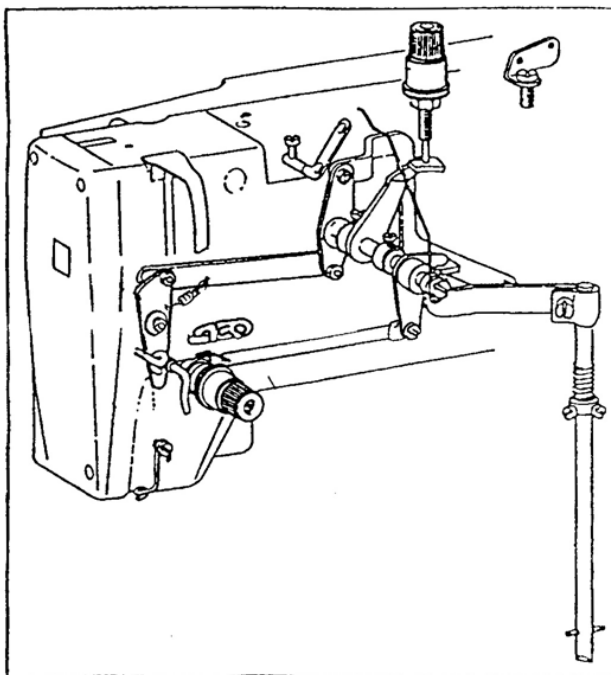
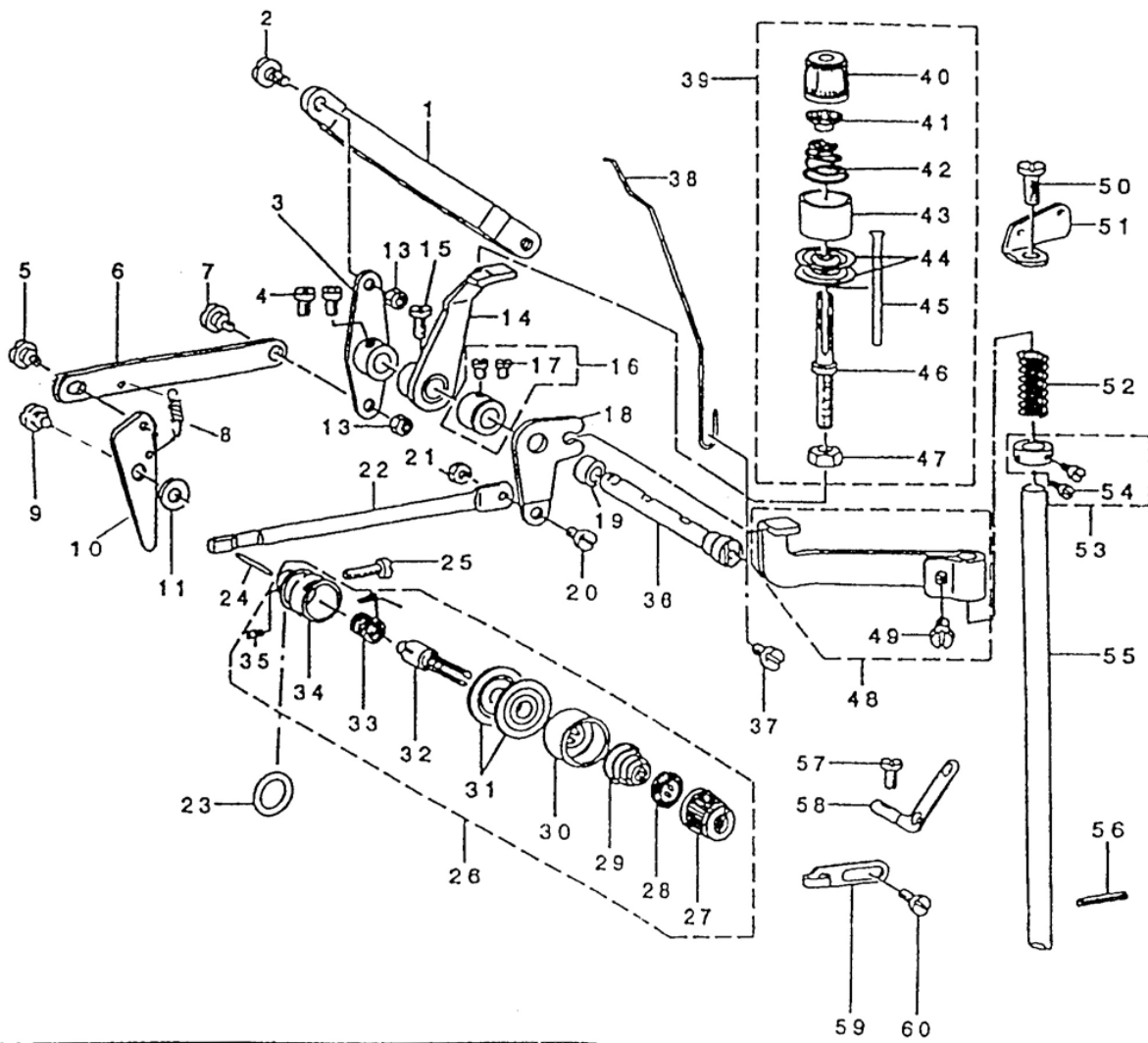
12. Lifting lever & Bobbin winder components



12. Lifting lever & Bobbin winder components

No.	Code	Description	Qty
1	780-11401	PRESSER BAR LIFTING ROD LONG	1
2	GB896-76	E-RING	2
3	780-11402	HINGE SCREW	2
4	780A-11403	LEVER ASM FRONT	1
5	780-11404	LINK	1
6	GB91-76	SPLIT PIN	2
7	780-11405	LEVER ASM REAR	1
8	780-11406	PRESSER BAR LIFTING (ROD)	1
9	780-11314	WASHER	1
10	780-10302	SCREW	1
11	780-11407	LIFTING LEVER STOPPER	1
12	780-11408	PRESSER BAR LIFTING LEVER ASM	1
13	780-11409	WASHER	1
14	780-11410	PRESSER FOOT LIFTING SPRING	1
15	780-11201	SUSPENSION SCREW (A)	1
16	780-11412	BOBBIN WINDER TENSION ASM	1
17	780-11413	BOBBIN WINDER TENSION NUT	1
18	780-11414	BOBBIN WINDER TENSION SPRING	1
19	780-11415	BOBBIN WINDER TENSION DISC	2
20	780-11416	BOBBIN WINDER TENSION POST	1
21	780-10211	NUT	1
22	780-11417	BOBBIN WINDER TENSION BRACKET	1
23	780-10516	SCREW	2
24	780-11418	WASHER	2
25	01-74-1900	BOBBIN THREAD TENSION ASM	1
26	11414-780	CONNECTING ROD SPRING	1
27	11413-780	THREAD TENSION NUT	1
28	10211-780	NUT	1
29	11416-780	BOBBIN THREAD TENSION ROD ASM	1
30	11415-780	THREAD TENSION DISK	2
31-53	14-13-791	BOBBIN WINDER UNIT	1
54	780-11321	TRIPPING LEVER HINGE PIN ASM	1
55	780-11322	TRIPPING LEVER HINGE PIN	1
56	GB894-76	RETAINING RING	1
57	02-27-210	SCREW	3
58	GB 781-12-58	SCREW	2
59	01-047-1900	THREAD CUTTER	1
60	21-791	O-RING	1
61	05-30-119	SCREW	2

13. Thread tension components



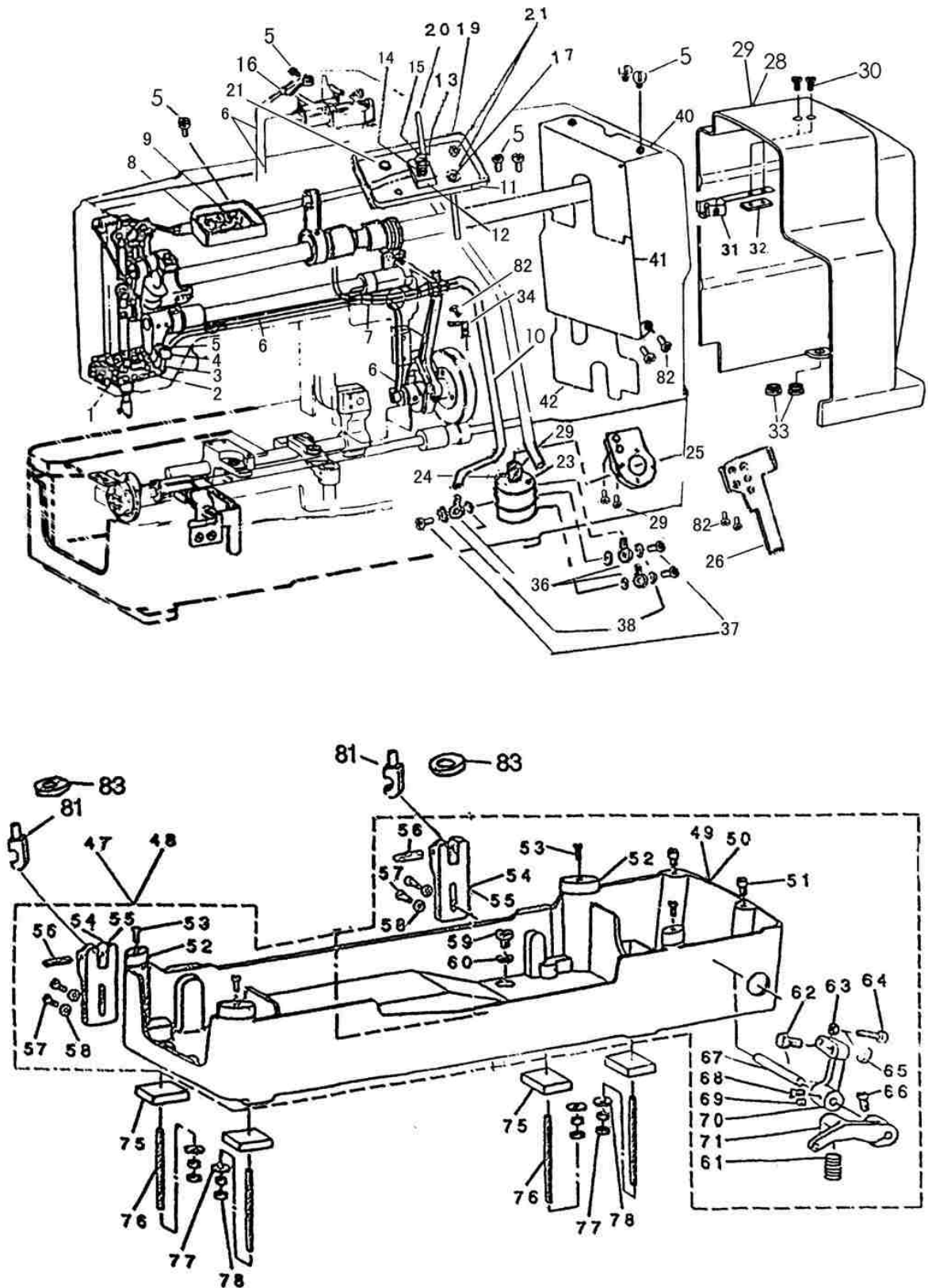
13. Thread tension components

No.	Code	Description	Qty
1	780-11501	TENSION RELEASE LINK	1
2	780-11502	HINGE SCREW	1
3	780-11503	TENSION RELEASE LEVER	1
4	780-10414	SCREW	2
5	780A-11504	HINGE SCREW	1
6	780A-11505	BLOCKING LINK	1
7	780-11502	HINGE SCREW	1
8	780A-11507	BLOCKING ARM SPRING	1
9	780A-11508	HINGE SCREW	1
10	780A-11509	BLOCKING ARM	1
11	780A-11510	BLOCKING ARM BRACKET	1
13	780-10928	NUT	2
14	780-11511	TENSION RELEASE LEVER	1
15	780-11512	SCREW	1
16	780-11307	THRUST COLLAR ASM	1
17	780-11140	SCREW	2
18	780-11514	TENSION RELEASE CRANK NO. 2	1
19	780-11515	TENSION RELEASE LEVER COLLAR	1
20	780-11516	HINGE SCREW	1
21	780-10406	NUT	1
22	780-11517	TENSION RELEASE ROD	1
23	GB1235-76	RUBBER RING	1
24	780A-11518	TENSION RELEASE PIN NO. 2	1
25	780-11128	SCREW	1
26	780-11519	TENSION CONTROLLER NO. 2 ASM	1
27	780-11520	THREAD TENSION PICK UP (RED)	1
28	780-11521	TENSION SPRING BUSHING	1
29	780-11522	TENSION SPRING RED	1
30	780-11523	THREAD TENSION DISK PRESSER	1
31	780-10524	THREAD TENSION DISK	2
32	780-11525	TENSION POST NO. 3	1
33	780-11526	THREAD TAKE UP SPRING	1
34	780-11527	TENSION POST SOCKET	1
35	780-11528	SCREW	1
36	780-11529	TENSION RELEASE LEVER SHAFT	1
37	780-11516	SCREW	1
38	780A-11530	THREAD PULLING WIRE	1
39	780-11531	TENSION CONTROLLER NO. 1 ASM	1
40	780-11520	THREAD TENSION PICK UP (RED)	1
41	780-11521	TENSION SPRING BUSHING	1
42	780-11532	TENSION SPRING NO. 1	1
43	780-11523	THREAD TENSION DISK PRESSER	1
44	780-11524	THREAD TENSION DISK	2
45	780A-11533	TENSION RELEASE PIN NO. 2	1
46	780-11534	TENSION POST NO. 2	1
47	780-11613	NUT	1
48	780-11535	TENSION RELEASE ARM ASM	1
49	780-11536	SCREW	1
50	780-11610	SCREW	1

13. Thread tension components

No.	Code	Description	Qty
51	780-11537	THREAD GUIDE PLATE	1
52	780-11538	SPRING	1
53	780-11539	THRUST COLLAR ASM	1
54	780-10628	SCREW	2
55	780-11540	TENSION RELEASE ROD	1
56	GB879-76	SPRING PIN	1
57	780-11140	SCREW	1
58	780-11541	THREAD EYELET	1
59	780-11542	ARM THREAD GUIDE A	1
60	780-10512	SCREW	1
61	780-11543	NEEDLE BAR THERAD GUIDE	1
62	780-10516	SCREW	1
63	780-11544	TENSION THREAD GUIDE NO. 2	1
64	780A-11545	THREAD GUIDE	1
65	780-10406	NUT	2

14. Lubrication mechanism components



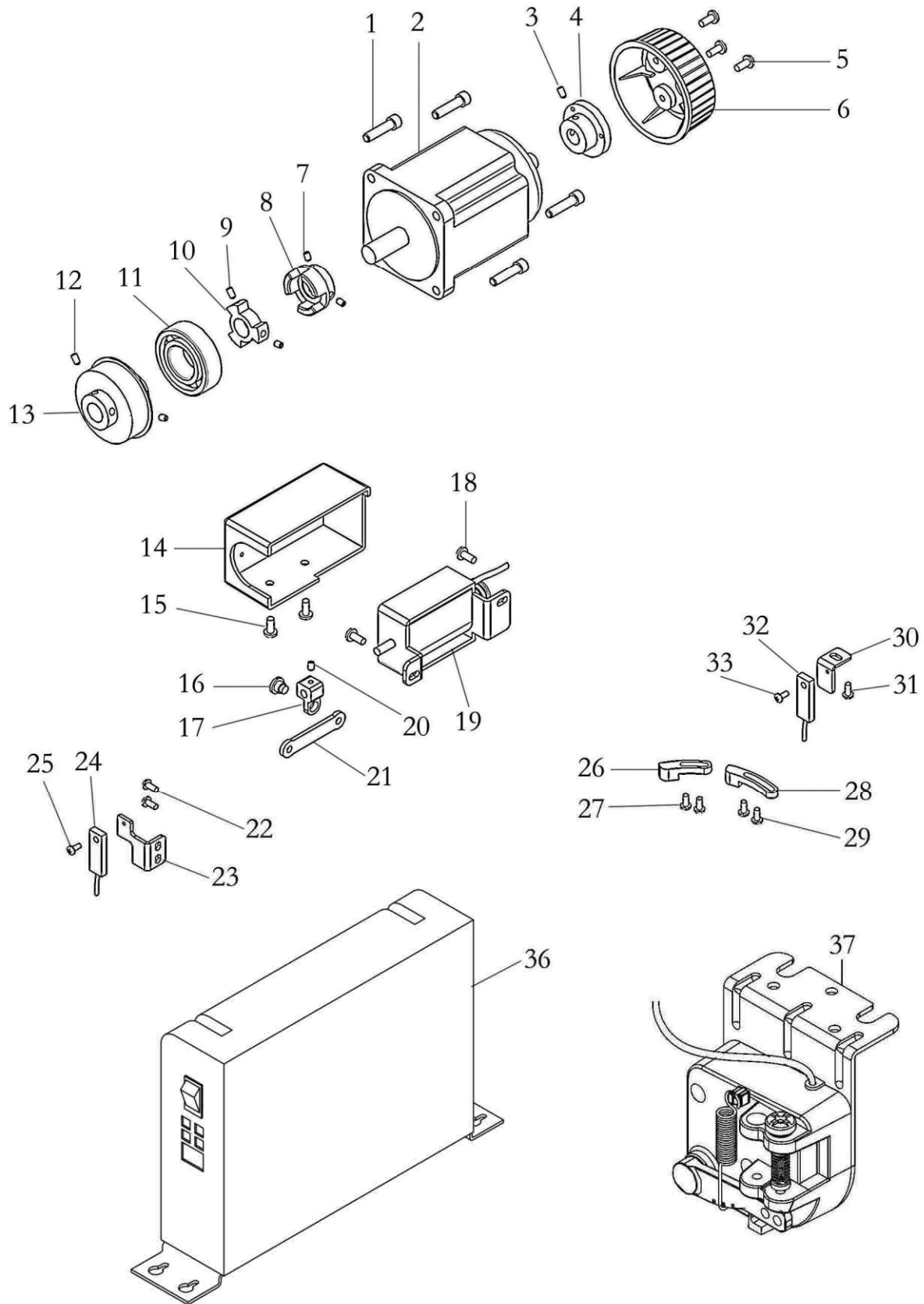
14. Lubrication mechanism components

No.	Code	Description	Qty
1	780A-11601	OIL FELT PRESSURE SPRING	1
2	780A-11602	OIL RETURN FELT (A)	1
3	780-11603	OIL RETURN TUBE	1
4	780A-11604	CABLE HOLDER	1
5	780-10140	SCREW	1
6	780-11605	OIL RETURN FELT	6
7	780A-11606	OIL WICK	1
8	780A-11607	FOUNT	1
9	780A-11608	OIL FELT	1
10	780A-11609	VINYL PIPE	1
11	780A-11610	OIL RECEIVER ASM	1
12	780A-11611	OIL ADJUSTING SCREW BASE	1
13	780A-11612	OIL ADJUSTING SCREW	1
14	780A-11613	OIL ADJUSTING SPRING	1
15	780A-11614	OIL ADJUSTING SWITCH	1
17	780A-11615	VINYL PIPE	1
19	780A-11616	OIL FELT	1
20	780A-11617	OIL MARK SCREW	1
21	780-11013	NUT	4
23	780A-11619	OIL PUMP	1
24	780A-11620	OIL PUMP WORM GEAR	1
25	780A-11621	OIL PUMP PLANK	1
26	780A-11622	VINYL PIPE PLANK	1
28	780-11623	BELT GUARD	1
29	780-10107	SCREW	2
30	780-11624	SCREW	2
31	780-11625	BELT GUIDE SET SCREW	1
32	780-11626	BOTTOM GUIDE	1
33	780-11627	RUBBER BUSHING	2
34	780A-11657	VINYL PIPE FIX LATCH	1
36	780A-11648	VINYL PIPE CONNECTING	3
37	780A-11649	VINYL PIPE CONNECTING SCREW	3
38	780-14-38	WASHER	6
40	780A-11630	OIL COVER (TOP)	1
41	780A-11631	OIL COVER (MIDDLE)	1
42	780A-11632	OIL COVER (BOTTOM)	1
47	780-11636	MACHINE BASE ASM	1
49	780-11637	OIL RESERVOIR	1
51	780-11638	GUIDE PIN	2
52	780-11639	RUBBER CUSHION	4
53	780-10338	SCREW	4
54	780-11640	HINGE HOLDER	2
56	GB879-76	PIN	2
57	GB70-76	SCREW	4
58	GB93-76	WASHER	4
59	780-11643	SCREW	1
60	780-11644	OIL DRAIN CAP GASKET	1

14. Lubrication mechanism components

No.	Code	Description	Qty
61	780-11645	STARTING LEVER PRESSURE SPRING	1
62	780-10733	SCREW	1
63	780-10544	NUT	1
64	780-11646	STOP SCREW ASM	1
65	GB/T6175-1986	NUT	1
66	780-10610	SCREW	1
67	780A-11647	STARTING LINK SHAFT	1
68	780-11648	SCREW	1
69	780-10323	SCREW	1
70	780-11649	STARTING LINK	1
71	780-11650	STARTING LEVER	1
75	780-11653	MACHINE BASE FELT PAD	4
76	780-11654	MASHINE BASE SCREW STUD	4
77	780-11655	WASHER	4
78	780-10544	NUT	4
81	780-11658	CONNECTION STUD	2
82	780-10512	SCREW	7
83	780-11660	RUBBER WASHER	2

15. Electrical control components



15. Electrical control components

No.	Code	Description	Qty
1	GB 70	SCREW	4
2	19-02-791.1	MOTOR	1
3	GB 77	SCREW	2
4	19-04-791.1	HANDWHEEL RETAINER	1
5	GB 781-15-5	SCREW	3
6	19-06-791.1	HANDWHEEL	1
7	GB 77	SCREW	3
8	19-08-791.1	COUPLING A	1
9	GB 77	SCREW	3
10	19-10-791.1	COUPLING B	1
11	GB 781-15-11	BEARING	1
12	GB 77	SCREW	2
13	19-13-791.1	SPROCKET WHEEL	1
14	19-14-791.1	SOLENOID COVER	1
15	GB 781-15-15	SCREW	2
16	11306-780	HINGE SCREW	2
17	19-17-791.1	CONNECTION BLOCK	1
18	10516-780	SCREW	2
19	19-19-791.1	SOLENOID	1
20	19-20-791.1	SCREW	2
21	19-21-791.1	CONNECTION PLATE	1
22	10516-780	SCREW	2
23	19-23-791.1	SMALL BRACKET	1
24	19-24-791.1	START SENSOR	1
25	GB 781-15-25	SCREW	1
26	19-26-791.1	STOP INDUCTION BLOCK	1
27	10127-780	SCREW	2
28	19-28-791.1	SLOW INDUCTION BLOCK	1
29	10127-780	SCREW	2
30	19-30-791.1	SENSOR SUPPORT	1
31	10516-780	SCREW	1
32	19-32-791.1	STOP SENSOR	1
33	GB 781-15-33	SCREW	1
36	19-36-791.1	ELECTRIC CONTROL BOX	1
37	19-37-791.1	FOOT CONTROLLER	1



Dealer :

--