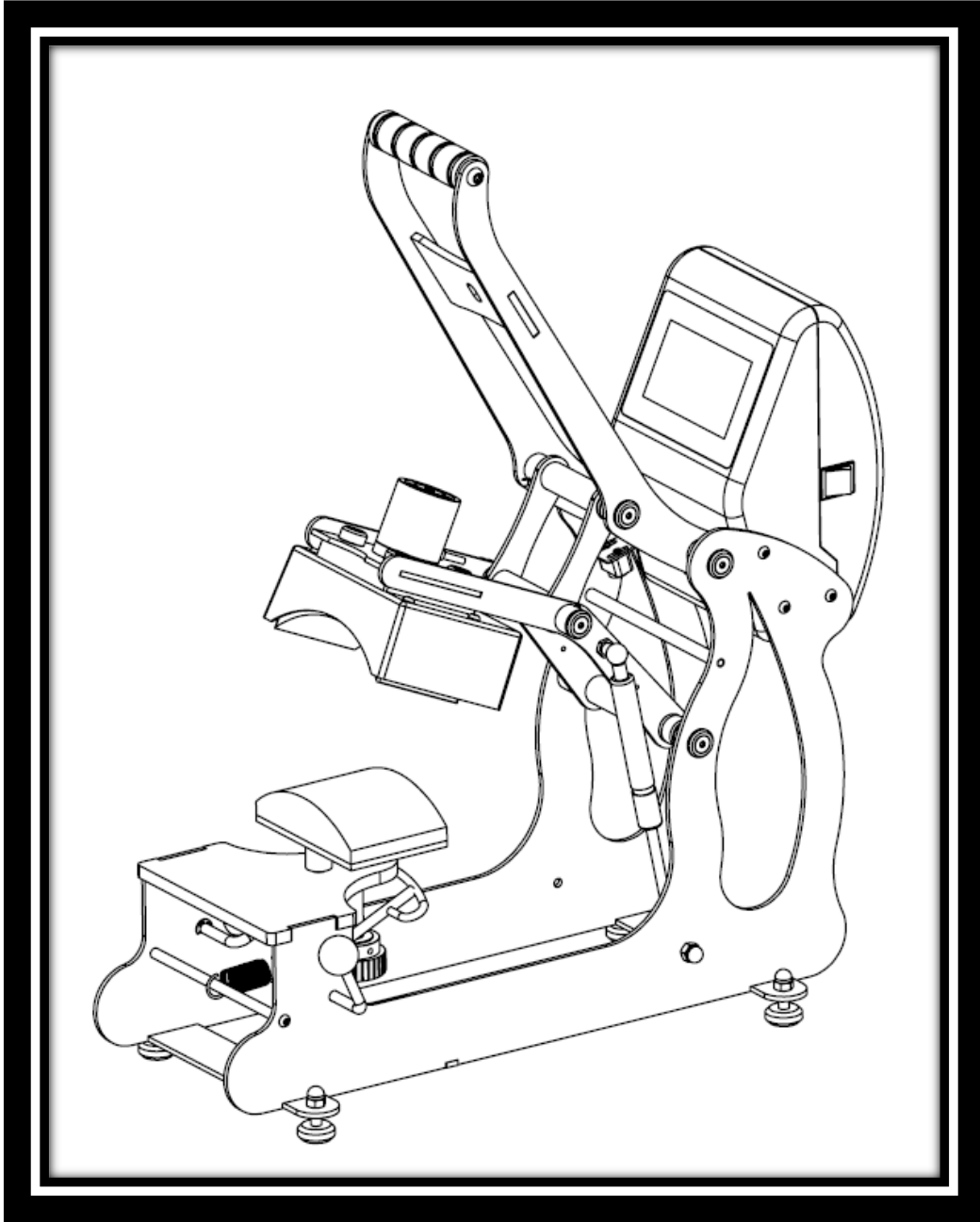
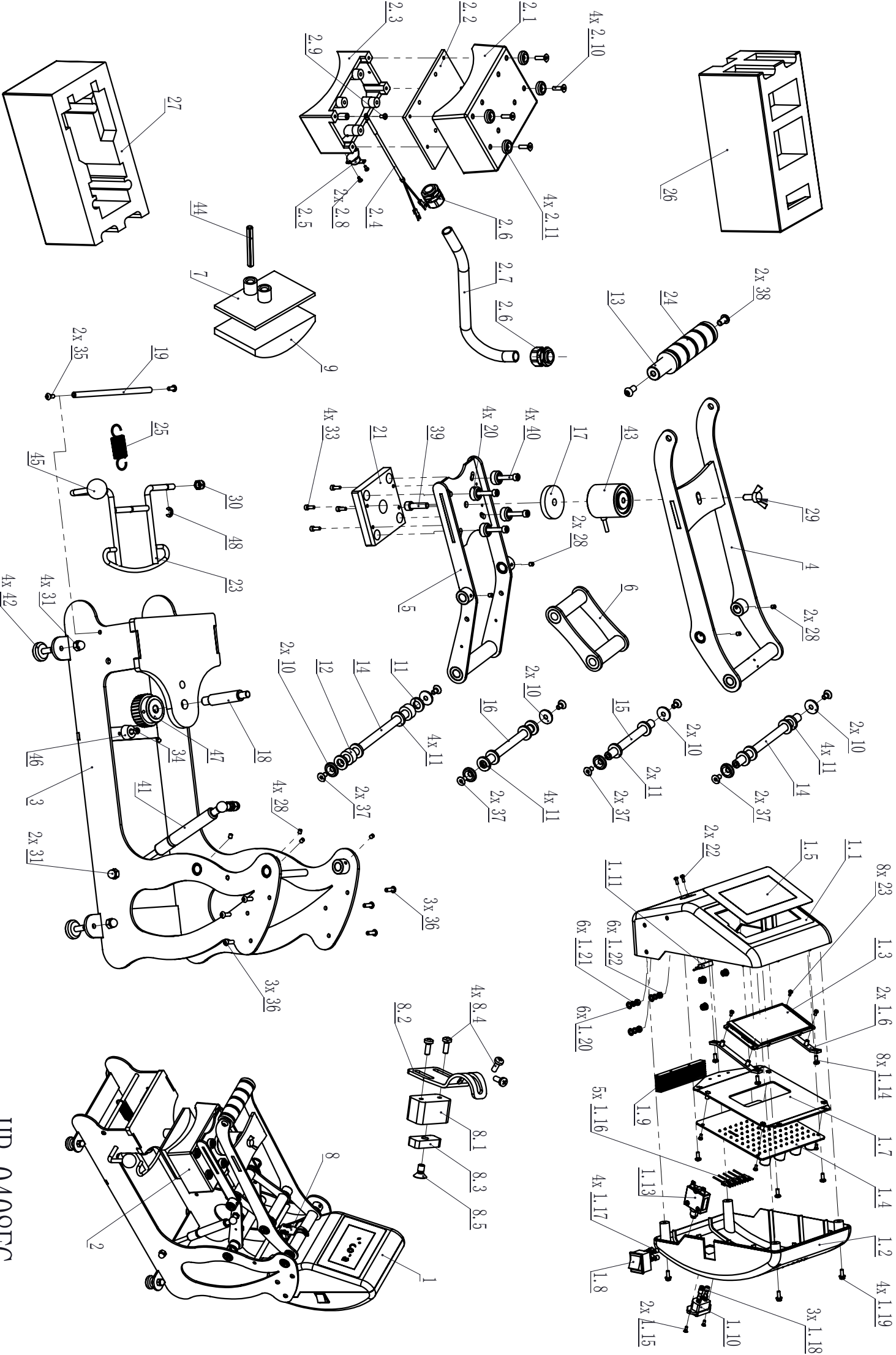


---

# HEAT PRESS

HP-0408FC





HP-0408FC

**HP-0408FC**

| <b>NO.</b> | <b>CODE</b>   | <b>Part Name</b>                           | <b>UNIT</b> | <b>Qty.</b> |
|------------|---------------|--|-------------|-------------|
| 1.1        | 5010100101    | Touch Panel Front Cover                    | PCS         | 1           |
| 1.2        | 5010100102    | Touch Panel Rear Cover                     | PCS         | 1           |
| 1.3        | 5010100103    | Touch Panel - 5 Inch                       | PCS         | 1           |
| 1.4        | 5010100104    | Circuit Board                              | PCS         | 1           |
| 1.5        | 5010100105    | Screen Protector                           | PCS         | 1           |
| 1.6        | 5010100106    | Screen Bracket                             | PCS         | 2           |
| 1.7        | 5010100107    | Circuit Board Mounting Plate               | PCS         | 1           |
| 1.8        | 80380901      | Switch                                     | PCS         | 1           |
| 1.9        | 5010100104-01 | Heat Dissipation Base                      | PCS         | 1           |
| 1.10       | 80380802      | AC Plug                                    | PCS         | 1           |
| 1.11       | 80333620-250  | Magnetic Switch GPS-23L - 250              | PCS         | 1           |
| 1.12       | 80742308      | M3*8 Flange Phillips Round Head Screw      | PCS         | 10          |
| 1.13       | 80380406      | Electric Current Overload Protector 6A     | PCS         | 1           |
| 1.14       | 80740410      | M4*10 Phillips Small Round Head Screw      | PCS         | 8           |
| 1.15       | 80860329      | M3*10 Phillips Flat Head Screw             | PCS         | 2           |
| 1.16       | 80387401      | Fork Insulated Terminal SVL2-4             | PCS         | 5           |
| 1.17       | 80387120      | 6.3 Plug Spring Terminal FDFN2-250         | PCS         | 4           |
| 1.18       | 80387601      | 4.8 Plug Spring Terminal FDFN2-187         | PCS         | 3           |
| 1.19       | 80740450-12   | M4*12 Philips Head Screw                   | PCS         | 4           |
| 1.20       | 80900501      | Flat Cushion M5                            | PCS         | 6           |
| 1.21       | 80900518      | Elastic Cushion M5                         | PCS         | 6           |
| 1.22       | 80900528      | Nut M5                                     | PCS         | 6           |
| 2.1        | 5020040801    | Heating Plate Protecting Cover - 0408FC    | PCS         | 1           |
| 2.2        | 5020040802    | Insulation Cotton - 0408FC                 | PCS         | 1           |
| 2.3        | 5020040803    | Heating Base - 0408FC                      | PCS         | 1           |
| 2.4        | 80330202      | Thermal Resistance PT100                   | PCS         | 1           |
| 2.5        | 80330201      | Overheat Protector KSD301-230 - Plate Type | PCS         | 1           |
| 2.6        | 80380301      | Metal Hose Joint G3-8 Φ12MM                | PCS         | 2           |
| 2.7        | 80071201-400  | Metal Hose Φ12MM-L400                      | PCS         | 1           |
| 2.8        | 80742306      | M3*6 Flange Phillips Round Head Screw      | PCS         | 2           |
| 2.9        | 80763612-BL   | M6*12 Hexagon Round Head Screw             | PCS         | 1           |
| 2.10       | 80866520-BL   | M5*20 Hexagon Flat Head Screw              | PCS         | 4           |
| 2.11       | 5050010025    | Insulation Cushion                         | PCS         | 4           |
| 3          | 5030040801    | Body Assembly - 0408FC                     | PCS         | 1           |
| 4          | 5030040802    | Upper Lever Assembly - 0408FC              | PCS         | 1           |
| 5          | 5030040803    | Lower Lever Assembly - 0408FC              | PCS         | 1           |
| 6          | 5030040804    | Connecting Rod Welding Part - 0408FC       | PCS         | 1           |
| 7          | 5040040801    | Cap Heat Press Platform - 0408FC           | PCS         | 1           |
| 8.1        | 5050020002    | Magnet Base                                | PCS         | 1           |
| 8.2        | 5050030015    | Sensor Plate                               | PCS         | 1           |
| 8.3        | 80080201      | Square Magnet 20*10*5                      | PCS         | 1           |
| 8.4        | 80742306      | M3*6 Flange Phillips Round Head Screw      | PCS         | 4           |
| 8.5        | 80860408      | M4*8 Flat Head Philips Head Screw          | PCS         | 1           |
| 9          | 5040040802    | Cap Cushion - 1                            | PCS         | 1           |
| 10         | 5050010002    | Decorating Piece                           | PCS         | 8           |
| 11         | 5050010003    | Hinge Gasket                               | PCS         | 14          |
| 12         | 5050010004    | Hinge Spacer                               | PCS         | 2           |
| 13         | 5050010005    | Handle L117                                | PCS         | 1           |
| 14         | 5050010006    | Shaft L180                                 | PCS         | 2           |
| 15         | 5050010007    | Shaft L115.5                               | PCS         | 1           |

|    |              |   |     |   |
|----|--------------|---|-----|---|
| 16 | 5050010008   | Shaft L133                                | PCS | 1 |
| 17 | 5050010009   | Rubber Cushion                            | PCS | 1 |
| 18 | 5050010010   | Adjusting Bolt                            | PCS | 1 |
| 19 | 5050010011   | Spring Rod - Tension Spring               | PCS | 1 |
| 20 | 5050010012   | Insulation Cap - M6                       | PCS | 4 |
| 21 | 5050020001   | Insulation Cushion                        | PCS | 1 |
| 23 | 5050030006   | Cap Supporting Bracket                    | PCS | 1 |
| 24 | 5050040001   | Foam Handle                               | PCS | 1 |
| 25 | 5050040002   | Tension Spring D20-d2.5-L65               | PCS | 1 |
| 26 | 5060040801   | Cap Heat Press Foam Packaging Box - Upper | PCS | 1 |
| 27 | 5060040802   | Cap Heat Press Foam Packaging Box - Lower | PCS | 1 |
| 28 | 80880506     | Set Screw M5-L6                           | PCS | 9 |
| 29 | 80920908-20  | Butterfly Type Bolt M8*20                 | PCS | 1 |
| 30 | 80900832     | Hex Lock Nut M8                           | PCS | 1 |
| 31 | 80900831     | Nut with Cap M8                           | PCS | 6 |
| 33 | 80813412-BL  | M4*12 Hexagon Socket Head Cap Screw       | PCS | 4 |
| 34 | 80813510-BL  | M5*10 Hexagon Socket Head Cap Screw       | PCS | 1 |
| 35 | 80763512-BL  | M5*12 Hexagon Round Head Screw            | PCS | 2 |
| 36 | 80763516-BL  | M5*16 Hexagon Round Head Screw            | PCS | 6 |
| 37 | 80866612-BL  | M6*12 Hexagon Socket Head Screw           | PCS | 8 |
| 38 | 80763816-BL  | M8*16 Hexagon Round Head Screw            | PCS | 2 |
| 39 | 80813830-BL  | M8*30 Hexagon Socket Head Cap Screw       | PCS | 1 |
| 40 | 80813640-BL  | M6*40 Hexagon Socket Head Cap Screw       | PCS | 4 |
| 41 | 80060108-385 | Gas Spring FHL62-M8-385                   | PCS | 1 |
| 42 | 80277108-20  | Foot M8-20                                | PCS | 4 |
| 43 | 80320701     | Solenoid 50*50                            | PCS | 1 |
| 44 | 80685110     | Elastic Cylindrical Pin M10*70            | PCS | 1 |
| 45 | 80920808     | Red Handle Ball AM8*30                    | PCS | 1 |
| 46 | 80277001     | Cone Rubber Cushion 23*18*5*11            | PCS | 1 |
| 47 | 80921202     | Red Star Handle M12*50                    | PCS | 1 |
| 48 | 80030872     | Circlip C-type-8-7                        | PCS | 1 |