

Parts book manual

TEXI NOVA

2609

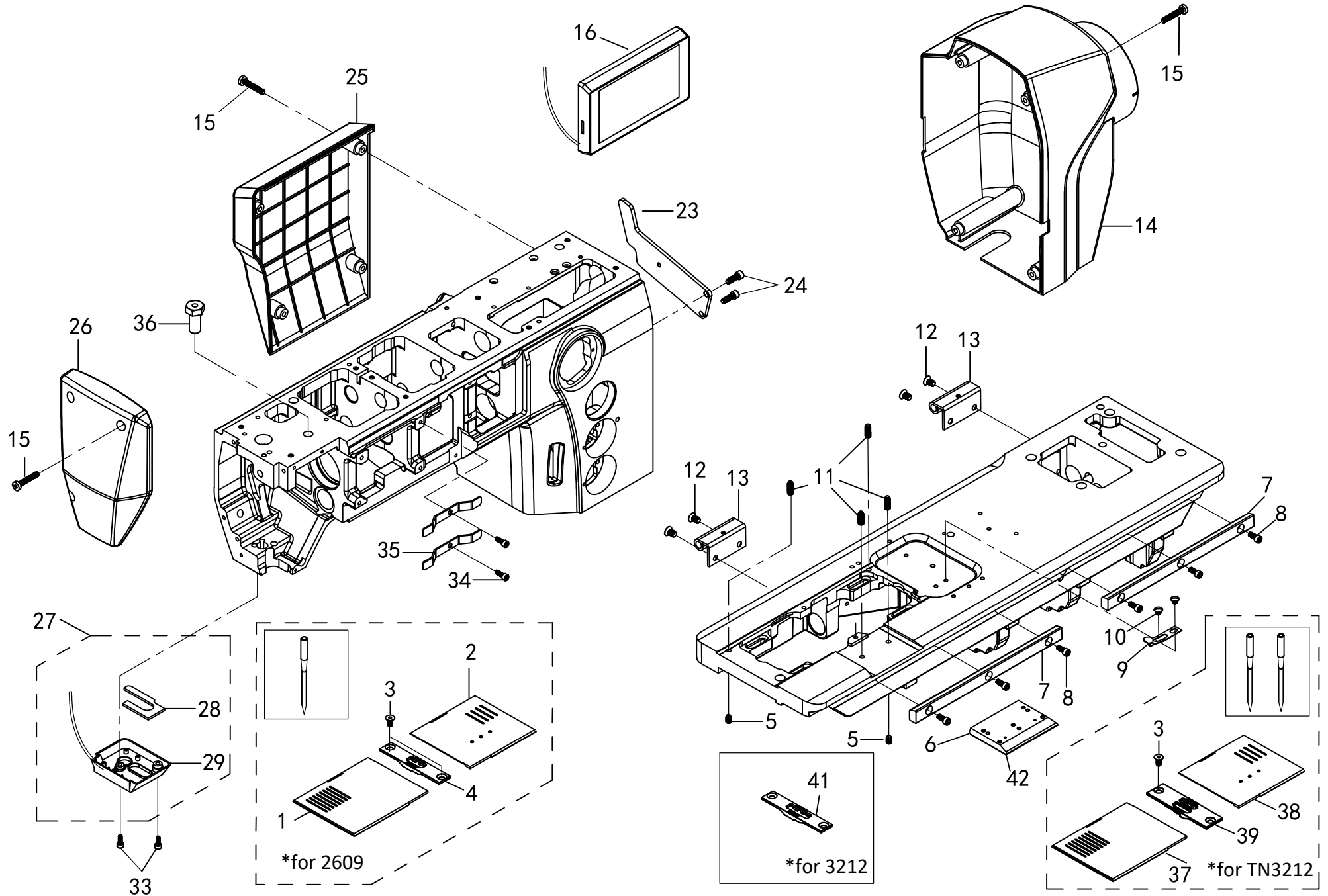
3212

TN 3212

Parts book

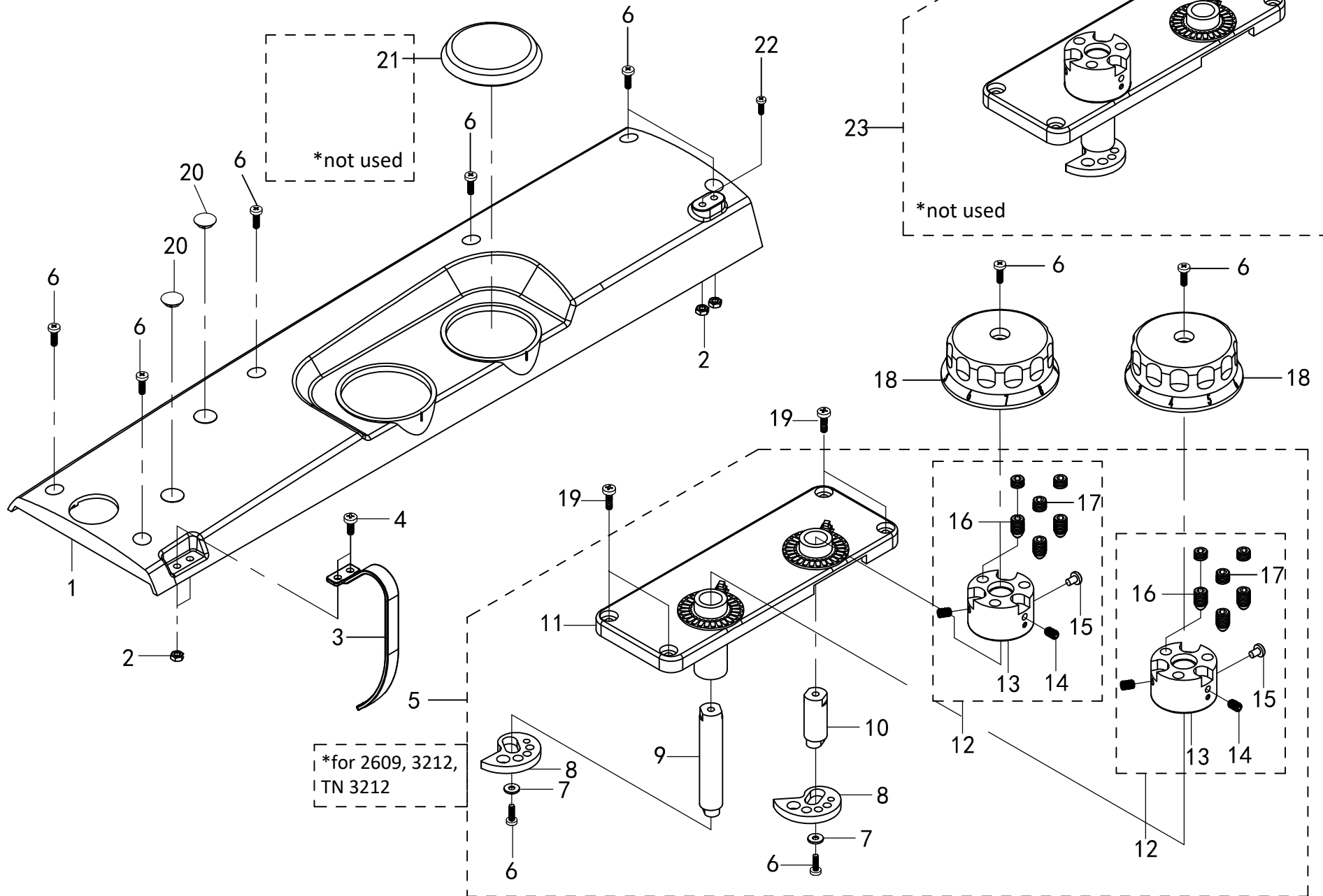
1. Frame & miscellaneous cover	1
2. Top cover & Presser foot adjusting.....	3
3. Upper shaft mechanism.....	5
4. Bottom axle mechanism.....	7
5. Thread take-up mechanism	9
6. Needle bar rocking.....	11
7. Presser foot & upper feeding drive mechanism	13
8. Hook shaft seat	17
8A. Hook shaft seat	19
9. Thread cutting components	21
9A. Thread cutting components	23
10. Feed drive mechanism	25
11. Bottom feeding drive mechanism	27
12. Presser lifting mechanism.....	29
13. Backtacking components	31
14. Stitch length adjustment mechanism.....	33
15. Lower thread winder mechanism component	35
16. Thread tension components.....	37
16A. Thread tension components.....	39
17. Button section.....	41
17A. Button section.....	43
18. Lubrication components	45
19. Air supply unit and main control panel	47
20. Hook shaft.....	49
21. Accessory box.....	51
22. Needles Position.....	53

1. Frame & miscellaneous cover



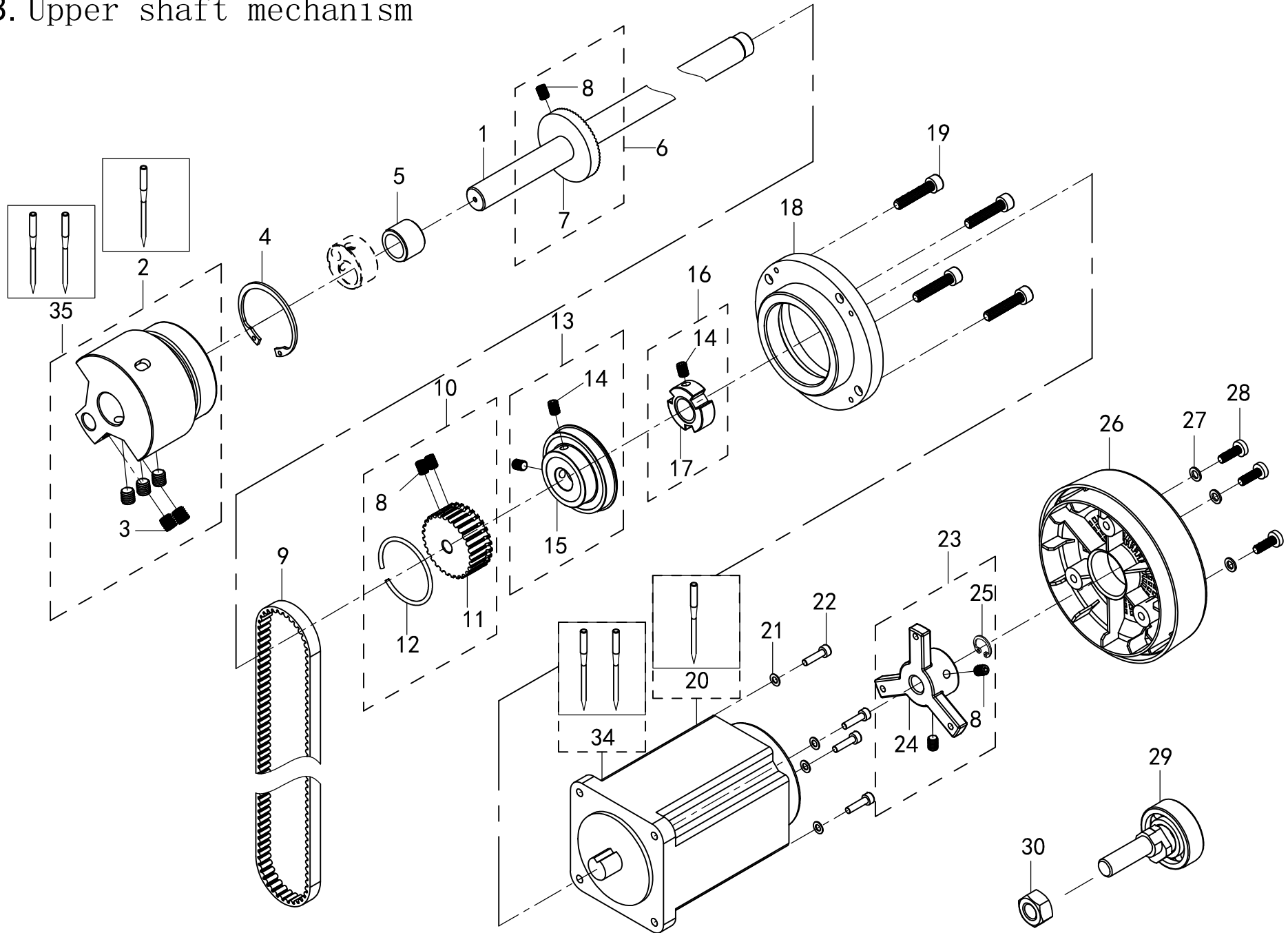
S/N	Part number	Description	Number
1	TN 0867 140180	BED SLIDE(LEFT) A	1
2	TN 0867 140020	BED SLIDE(RIGHT) A	1
3	TN 9202 100537	NEEDLE PLATE SCREW	2
4	TN 0867 200020	NEEDLE PLATE	1
5	TN 9205 102467	HOLDING SCREW	2
6	TN 080145	PUSH PLATE	1
7	TN 080146	UPPER FEED BAR GUIDE	2
8	TN LS5A12	SCREW	6
9	TN 0667 145390	RIGHT COVER E-RING	1
10	TN 080107	SCREW	2
11	TN 9400 000090	SOCKET SET SCREWS	4
12	TN 9204 002363	SCREW	4
13	TN 0367 140050	BASE SUPPORT FIXED AXIS	2
14	TN 080143	MOTOR COVER	1
15	TN 9204 212057	SCREW	9
16	TN 080133	SCREEN ASM.	1
23	TN 0667 105320	FUSELAGE SUPPORT FRAME	1
24	TN 9202 002497	SCREW	2
25	TN 080144	BACK COVER	1
26	TN 080132	FRONT COVER	1
27	TN 080139	HEADLIGHT ASM.	1
28	TN 0667 385180	FELT	-1
29	TN 080141	HEADLIGHT	-1
33	TN 9202 002077	SCREW	2
34	TN LS5E10	SCREW	2
35	TN 080137	TOUCH SCREEN COACH	2
36	TN LS12F25T	SCREW	1
37	*	BED SLIDE(LEFT) A	1
38	*	BED SLIDE(RIGHT) A	1
39	*	NEEDLE PLATE	1
41	TN 080156	NEEDLE PLATE	1
42	TN 080145A	PUSH PLATE	1

2. Top cover & Presser foot adjusting



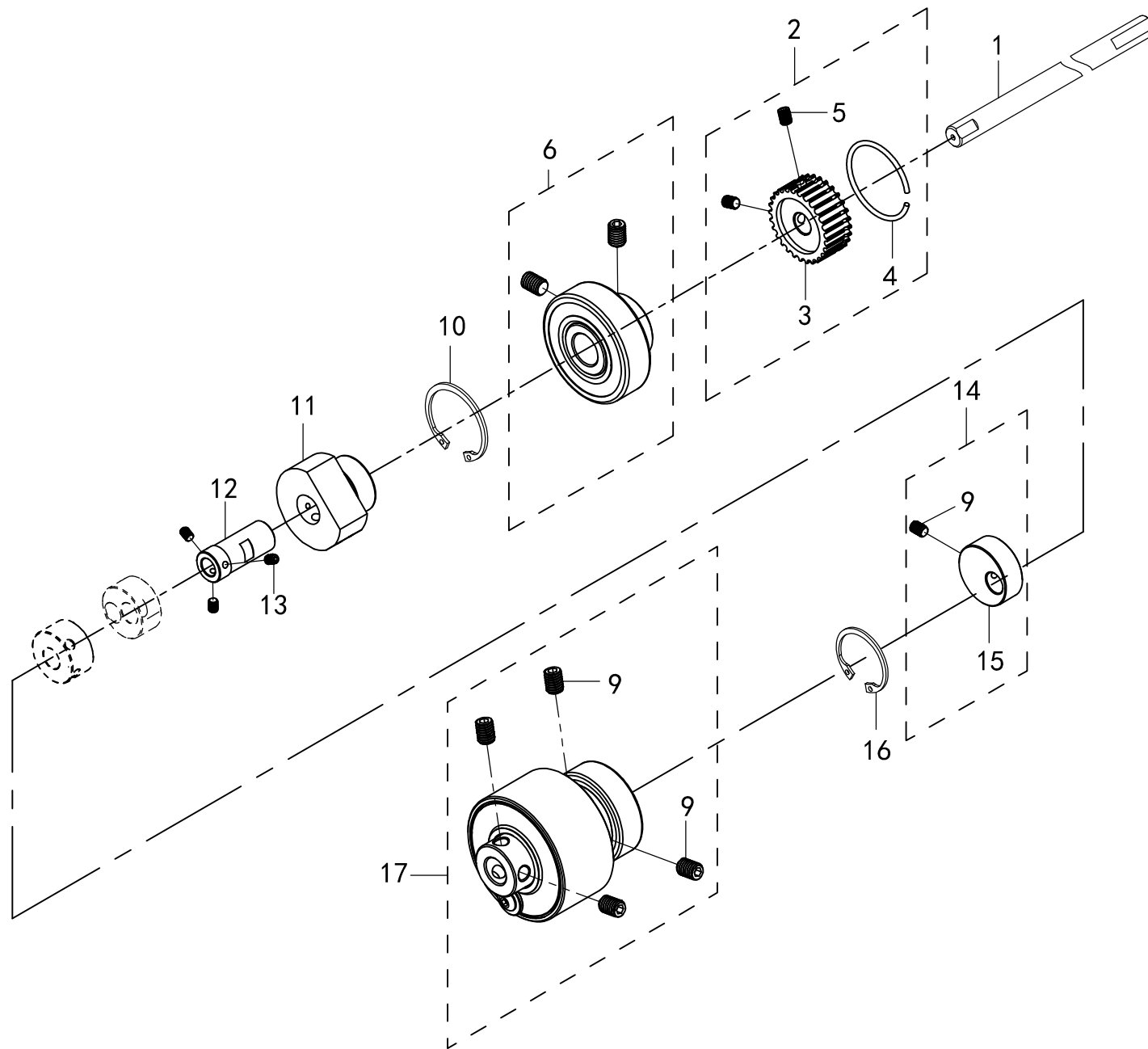
S/N	Part number	Description	Number
1	TN 080215	PLASTIC COVER	1
2	TN LM4	NUT	4
3	TN 080123A	THREAD TAKE-UP LEVER BALANCE COVER	1
4	TN 9204 201667	SCREW	2
5	TN 080225A	KNOB HOLDER ASM.	1
6	TN LS5E10	SCREW	-10
7	TN 9330 700107	WASHER	-2
8	TN 080211	PRESSER FOOT ADJUSTING CAM	-2
9	TN 080217	LONG DL KNOB LEVER	-1
10	TN 080220	SHORT DL KNOB LEVER	-1
11	TN 080222	COVER KNOB HOILDER	-1
12	TN 080226A	SPRING BEAD SEAT ASM.	-2
13	TN 080228	SPRING BEAD SEAT	(-2)
14	TN LS5I6	SCREW	(-4)
15	TN LS4E5	SCREW	(-2)
16	TN LS8I12D	SPRING BEAD	(-6)
17	TN LS8I6	SCREW	(-6)
18	TN 080207A	FEED ADJUSTMENT WHEEL	2
19	TN LS5E15	SCREW	4
20	TN TA1050504R0	RUBBER PLUG	2
21	TN 080227	DECORATIVE COVER	1
22	TN LS4E12	SCREW	2
23	TN 080225B	KNOB HOLDER ASM.	1

3. Upper shaft mechanism



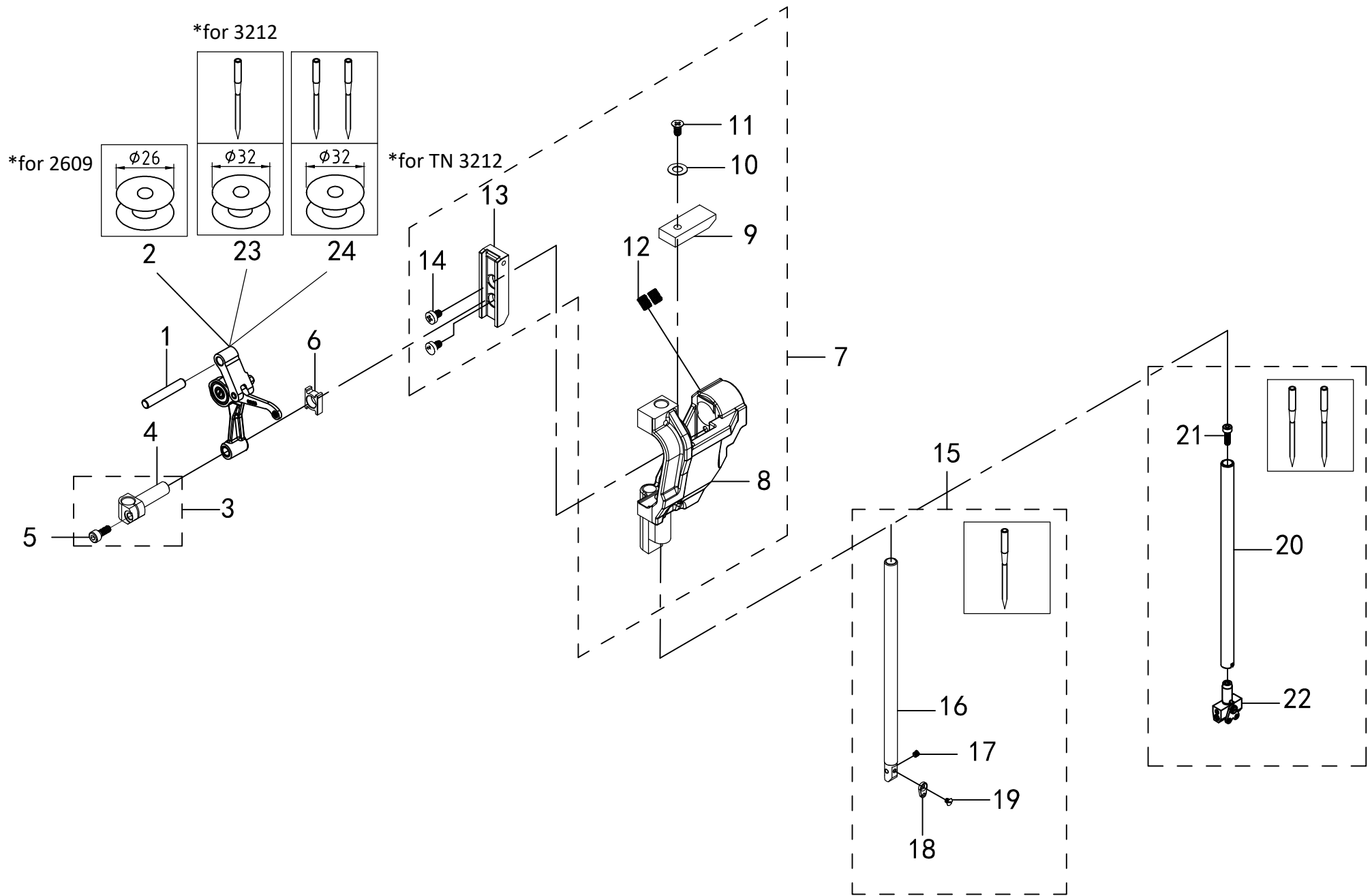
S/N	Part number	Description	Number
1	TN 080319	UPPER SHAFT	1
2	TN 0667 105053	NEEDLE BAR BALANCE CRANK ASM.	1
3	TN 9205 102467	HOLDING SCREW	-5
4	TN 9353 000470	RING FOR HOLE	1
5	TN 9122 200161	ROLLER BEARING SHAFT	1
6	TN 080323A	FRICTION WHEEL ASM.	1
7	TN 080323	FRICTION WHEEL	-1
8	TN 9205 102477	HOLDING SCREW	-8
9	TN 9130 221130	TIMING BELT	1
10	TN 080320	UPPER SPROCKET ASM.	1
11	TN 080321	SYNCHRONOUS PULLEY	-1
12	TN 9354 010210	WHEEL GEAR	-1
13	TN 010262	SHAFT COUPLING ASM.	1
14	TN 010258	SCREW	-3
15	TN 010254	BEARING	-1
16	TN 010263	SHAFT COUPLING ASM.	1
17	TN 010255	SHAFT COUPLING	-1
18	TN 080331	MOTOR PLATE	1
19	TN LS6A20	SCREW	4
20	TN MDBM850Z3500	DIRECT DRIVE MOTOR	1
21	TN PD4	WASHER	4
22	TN LS4A15	SCREW	4
23	TN 080322A	HANDWHEEL CONNECT FLANGE ASM.	1
24	TN 080322	HANDWHEEL CONNECT FLANGE	-1
25	TN KHK11	HANDWHEEL	-1
26	TN 083050	WASHER	1
27	TN 9330 700107	SCREW	3
28	TN 9204 211997	SCREW	3
29	TN 080339	TIMING BELT TENSION ASM.	1
30	TN LM10	NUT	-1
34	TN MDBMASD58A850A	DIRECT DRIVE MOTOR	1
35	TN 080303	NEEDLE BAR BALANCE CRANK ASM.	1

4. Bottom axle mechanism



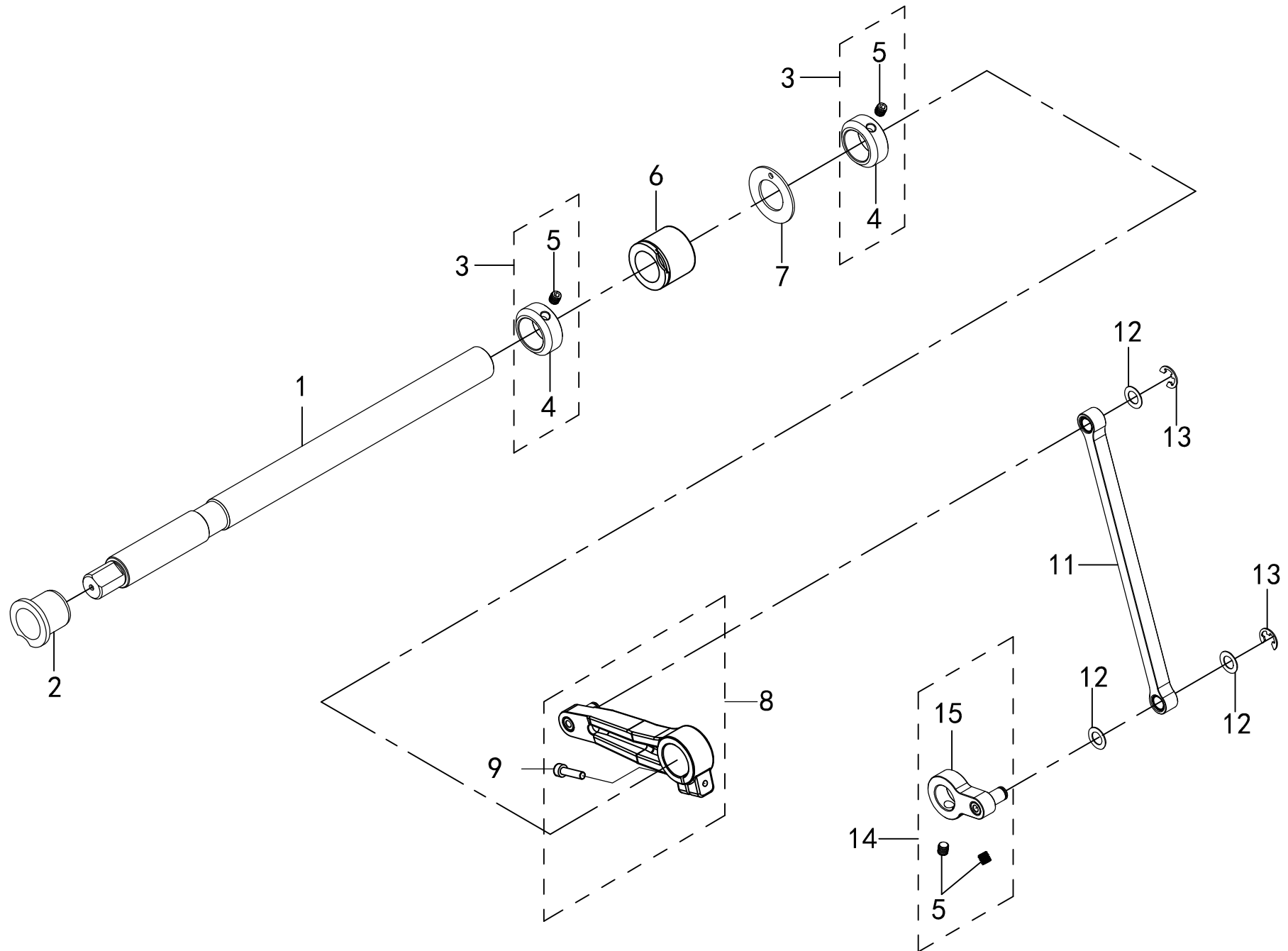
S/N	Part number	Description	Number
1	TN 080427	RIGHT LOWER SHAFT	1
2	TN 080430	LOWER SPROCKET ASM.	1
4	TN 9354 010210	WHEEL GEAR	-1
5	TN 9205 102477	SCREW	-2
6	TN 080431	BEARING SLEEVE ASM.	1
7	TN 0667 145264B	BEARING	-1
8	TN 080408	RIGHT LOWER BEARING SLEEVE	-2
10	TN 9353 000420	RING FOR HOLE 42	1
11	TN 080434	OIL PUMP JACKET	1
12	TN 080433	OIL PUMP SHAFT	1
13	TN LS5I5	SCREW	3
14	TN 080432	BALANCE BLOCK ASM.	1
16	TN 9353 000350	RING FOR HOLE 35	1
17	TN 0667 145464	CLUTCH ASM.	1

5. Thread take-up mechanism



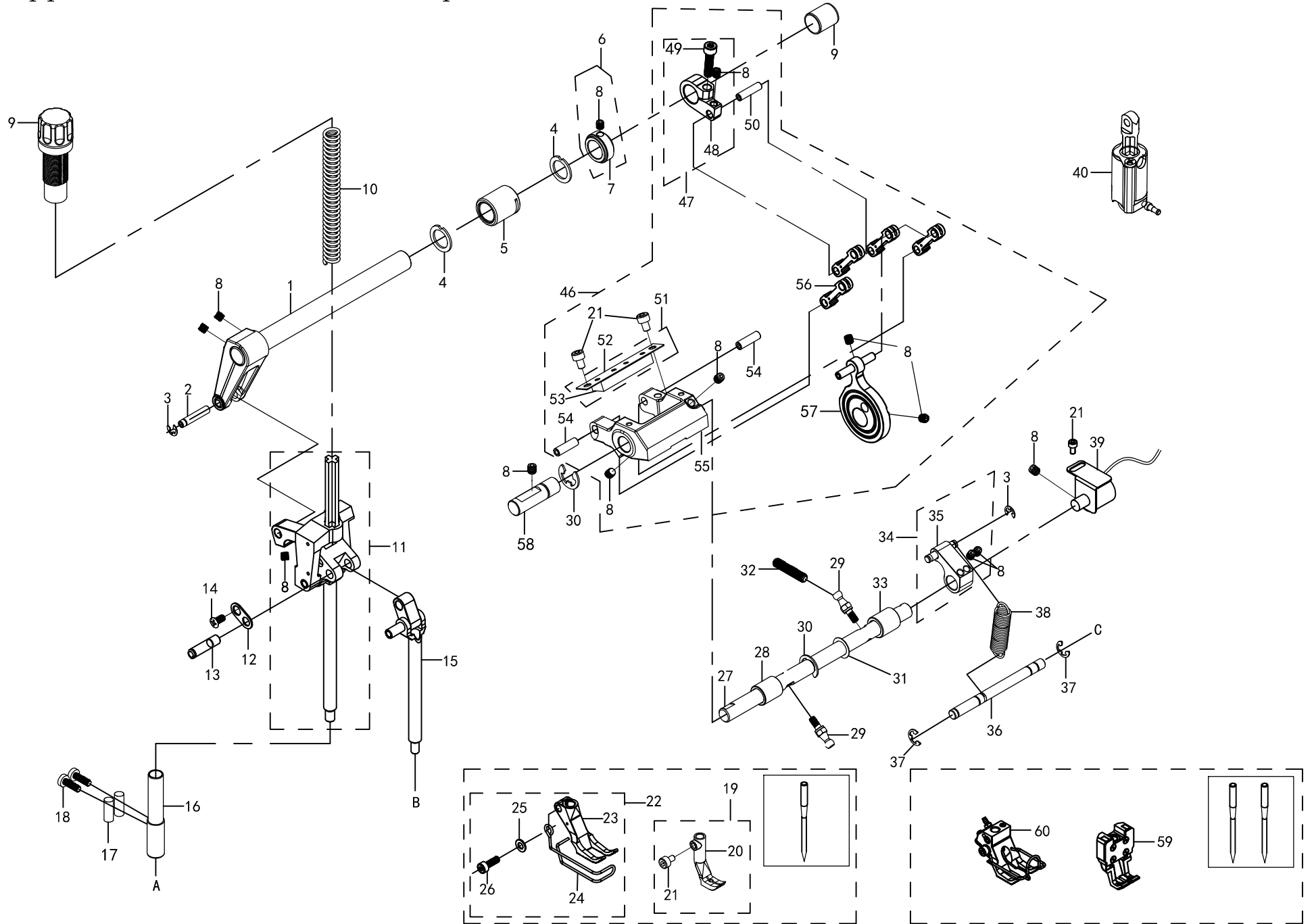
S/N	Explain	Part number	Description	Number
1		TN 9129 024235	PIN	1
2		TN 0667 125033	NEEDLE BAR ROTARY LINKAGE ASM.	1
3		TN 0667 125542	NEEDLE BAR CRAMP ASM.	1
4		TN 0667 125543A	NEEDLE BAR CRAMP	-1
5		TN 9202 002078	SCREW	-1
6		TN 0667 125160	NEEDLE BAR ROCKING BLOCK	1
7		TN 0667 125254	NEEDLE BAR FRAME ASM.	1
8		TN 0667 125245A	NEEDLE BAR FRAME	-1
9		TN 0367 120100	SPONGE	-1
10		TN 9334 001630	WASHER	-1
11		TN 9225 201750	SUNK SCREW	-1
12		TN 9205 102477	SCREW	-2
13		TN 0667 125245B	Slide rail	-1
14		TN 0667 125245C	ROUND HEAD CROSS	-2
15		TN 0367 125194	NEEDLE BAR ASM.	1
16		TN 0367 125194A	NEEDLE BAR	-1
17		TN 9205 101847	SCREW	-1
18		TN 0291 000159	CONDUCTING WIRE	-1
19		TN 9203 312412	SUNK SCREW	-1
20		TN 080532	NEEDLE BAR	1
21		TN LS3A12	SCREW	1
22		*	DOUBLE NEEDLE BAR ASM.	1
23		TN 080502B	NEEDLE BAR ROTARY LINKAGE ASM.	1
24		TN 080502A	NEEDLE BAR ROTARY LINKAGE ASM.	1

6. Needle bar rocking



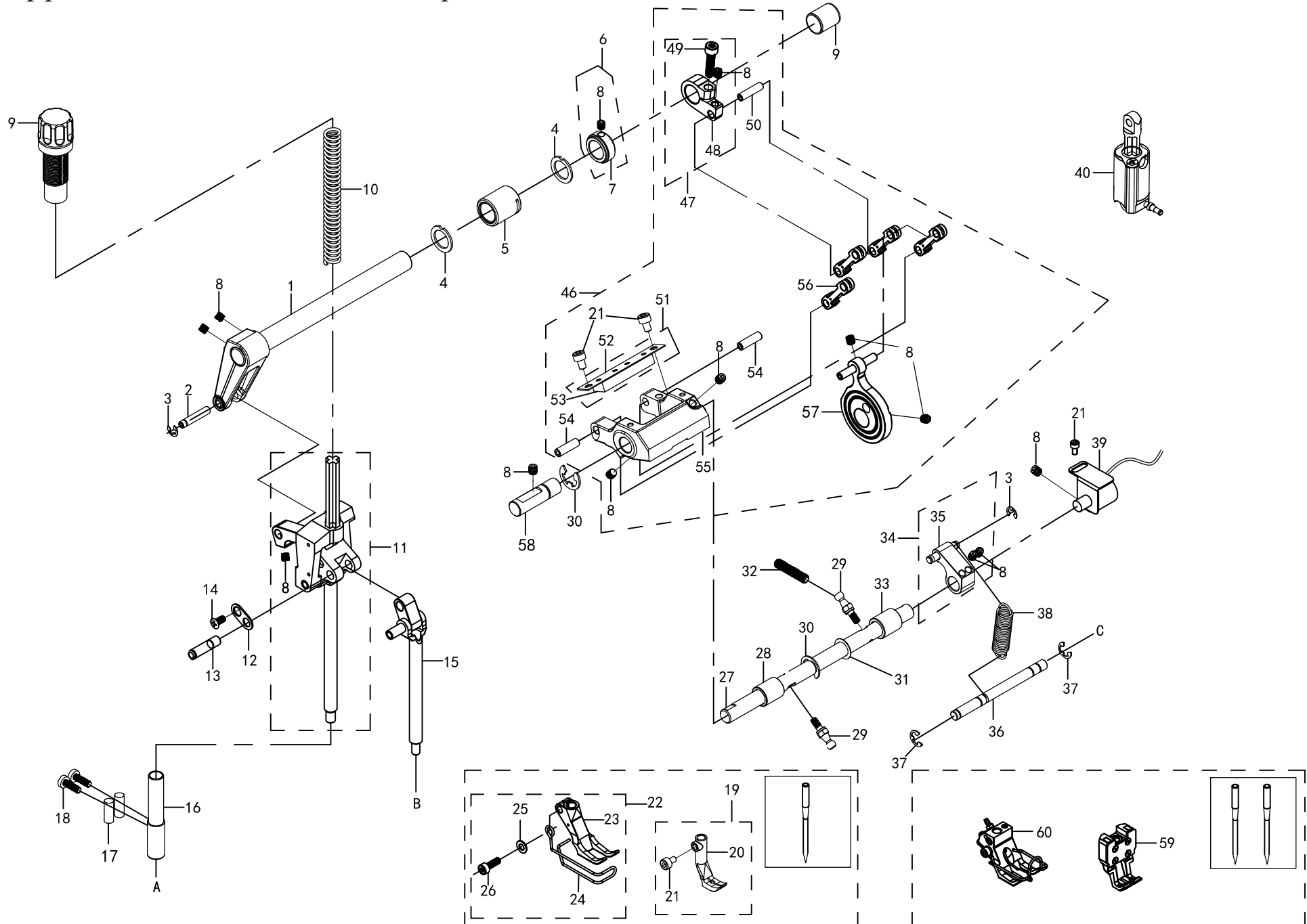
S/N	Part number	Description	Number
1	TN 080621	NEEDLE BAR FEED BEARING	1
2	TN 9126 300201	BUSHING METAL	2
3	TN 0667 315252	ROCKING SHAFT E-RING ASM.	2
4	TN 0667 315253A	ROCKING SHAFT E-RING	-2
5	TN 9205 102467	SCREW	-4
6	TN 0667 315243	ROCKING SHAFT RIGHT BUSHING ASM.	1
7	TN 9122 322200	WASHER	1
8	TN 080623	NEEDLE BAR ROCKING ARM ASM.	1
9	TN 9202 002098	SCREW	-1
11	TN 0667 315223	NEEDLE BAR FEED ROD ASM.	1
12	TN 9334 001640	WASHER	3
13	TN 9357 000090	E-RING	2
14	TN 0667 315212	CRANK ASM.	1
15	TN 0667 315213A	CRANK	-1

7. upper feed mechanism components



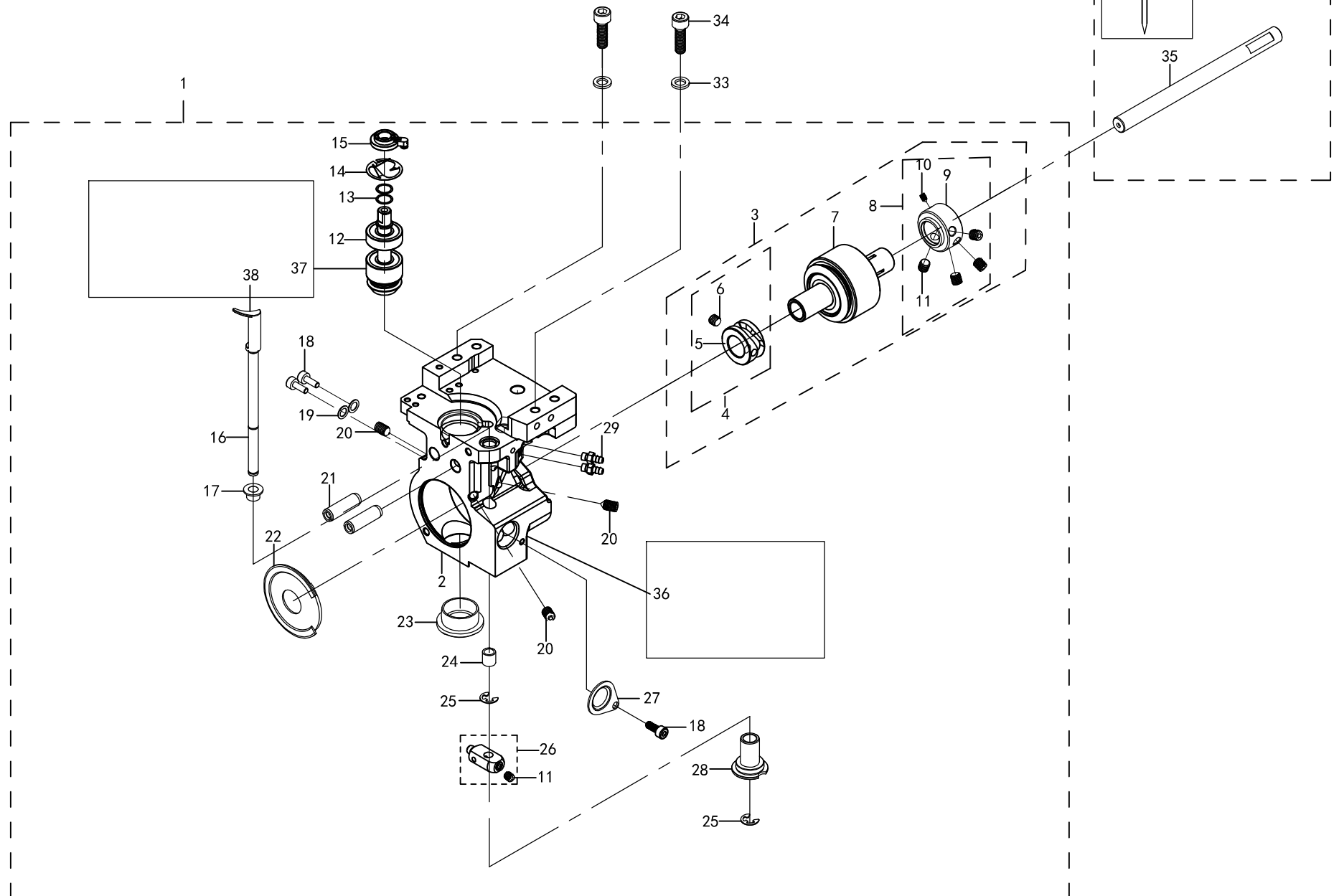
S/N	Part number	Description	Number
1	TN 0667 315314	UPPER FEED SHAFT CRANK ASM.	1
2	TN 0867 310440	UPPER FEED CRANK ROD PIN	1
3	TN 9357 000070	E-RING	2
4	TN 0367 145180	WASHER	2
5	TN 0367 105083	BUSHING METAL ASM.	1
6	TN 0367 315223	UPPER FEED SHAFT E-RING ASM.	1
7	TN 0367 315223A	UPPER FEED SHAFT E-RING	-1
8	TN 9205 102467	SCREW	-12
9	TN 0667 135190	PRESSURE REGULATING BOLT	1
10	TN 0367 135040	Pressure regulating spring	1
11	TN 0667 315053	PRESSER FOOT LEVER ALTERNATING ASM.	1
12	TN 0367 315130	WASHER	1
13	TN 0867 310430	PIN	1
14	TN 9204 101657	SCREW	1
15	TN 0667 315113	PRESSER FOOT LEVER ASM.	1
16	TN 0667 310563	PRESSER FOOT LEVER METAL ASM,	1
17	TN 9301 102203	PRESSER FOOT METAL PIN	2
18	TN 9204 211997	SCREW	2
19	TN 0467 220013	INNER PRESSER FOOT ASM.	1
20	TN 0467 220013A	INNER PRESSER FOOT	-1
21	TN 9204 201657	SCREW	-3
22	TN 0467 220043	PRESSER FOOT ASM.	1
23	TN 0467 220043A	PRESSER FOOT	-1
24	TN 031715	SPRING	-1
25	TN 0667 145464G	WASHER	-1
26	TN 9202 002087	SCREW	-1
27	TN 0667 315320	ADJUSTMENT SHAFT	1
28	TN 9126 102520	ADJUSTMENT LEFT COVER	1
29	TN 0667 315330	ADJUSTMENT BALL SCREW	2
30	TN 9357 000120	E SHAPE RETAINING RING	2
31	TN 0998 881610	WASHER	1

7. upper feed mechanism components



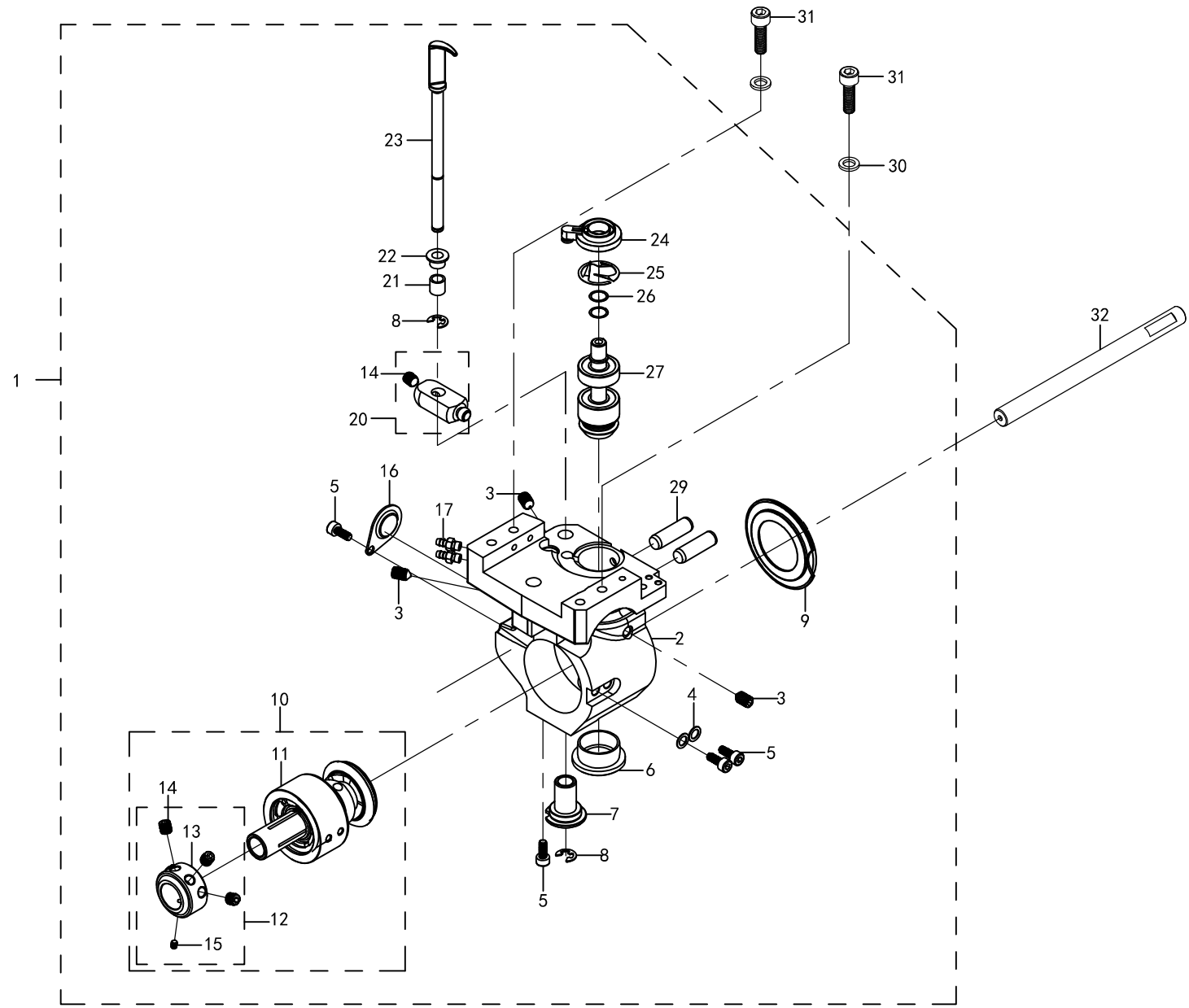
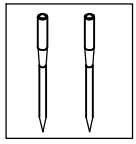
S/N	Part number	Description	Number
32	TN 9205 102303	SCREW	1
33	TN 9126 102540	ADJUSTMENT RIGHT COVER	1
34	TN 0667 315273	SPRING CRANK ASM.	1
35	TN 0667 315273A	SPRING CRANK	-1
36	TN 0667 315280	SHAFT	1
37	TN 9357 000090	E-RING	2
38	TN 0667 315294A	CRANK SPRING	1
39	TN 081763	HP TRANSMITTER ASM.	1
40	TN 0667 315174	HP CYLINDER ASM.	1
46	TN 0667 315164	CRANK ROD ASM.	1
47	TN 0367 315024	RAISING CRANK ASM.	-1
48	TN 0367 315024A	RAISING CRANK	(-1)
49	TN 9202 002918	SCREW	(-1)
50	TN 0867 160630	PIN	-1
51	TN 0667 385013	FELT ASM.	-1
52	TN 0667 385013B	CRANK FELT FIXED PLATE	(-1)
53	TN 0667 385013A	FELT	(-1)
54	TN 0867 160620	PIN	-2
55	TN 0667 165130	ADJUSTMENT CRANK	-1
56	TN 0667 160480	ADJUSTMENT ROD	-4
57	TN 0367 315014	FEED ROD ASM.	-1
58	TN 0367 165120	SHAFT	1
59	*	DOUBLE PIN INNER PRESSER FOOT ASM.	1
60	*	DOUBLE PIN EXTERNAL PRESSER FOOT ASM.	1

8. Hook shaft seat of right



S/N	Part number	Description	Number
1	TN 0667 155474	HOOK SHAFT BASE ASM.	1
2	TN 080802A	HOOK SHAFT BASE	-1
3	TN 0867 150323	HORIZONTAL HOOK SHAFT ASM.	-1
4	TN 0667 155114	INNER HOOK GUIDE CAM ASM.	-1
5	TN 0667 155114A	INNER HOOK GUIDE CAM	(-1)
6	TN 9205 102450	HOLDING SCREW	(-1)
7	TN 080878	HORIZONTAL HOOK SHAFT ASM.	-1
8	TN 0667 155424	HORIZONTAL HOOK SHAFT RING ASM.	(-1)
9	TN 0667 155424A	HORIZONTAL HOOK SHAFT RING	(-1)
10	TN 9205 121558	SCREW	(-1)
11	TN 9205 102467	SCREW	(-5)
12	TN 080819	VERTICAL HOOK SHAFT ASM.	-1
13	TN 9334 000051	WASHER	(-2)
14	TN 0211 000648	SPRING PLATE	(-1)
15	TN 080828A	PLASTIC RING	(-1)
16	TN 0667 155100	BOBBIN CASE OPENING LEVER	-1
17	TN 9126 300061	BUSHING METAL	-1
18	TN 9202 002077	SCREW	-3
19	TN 9330 700107	WASHER	-2
20	TN 9205 122488	SCREW	-3
21	TN 9301 200660	PIN	-2
22	TN 0667 155440	HOOK SHAFT BASE SIDE COVER	-1
23	TN 9190 100226	HOOK SHAFT BASE BACK COVER	-1
24	TN 9126 300088	PLASTIC BUSHING METAL	-1
25	TN 9357 000070	E-RING	-2
26	TN 0667 155893	ROCKING ARM ASM.	-1
27	TN 0667 155460	HOOK SHAFT BASE FRONT COVER	-1
28	TN 0667 155403	INNER HOOK GUIDE SHAFT METAL ASM.	-1
29	TN 0667 155540	OIL PIPE JOINT	-1
33	TN 080884	WASHER	2
34	TN 9202 002898	SCREW	2
35	TN 0667 155950	LOWER SHAFT	1
36	TN 080802B	HOOK SHAFT BASE	1
37	TN 080819A	VERTICAL HOOK SHAFT ASM.	1
38	TN 080876	BOBBIN CASE OPENING LEVER	-1

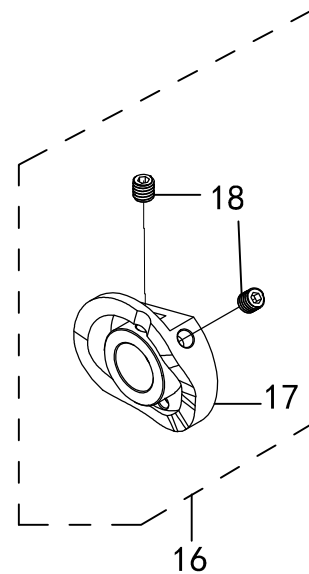
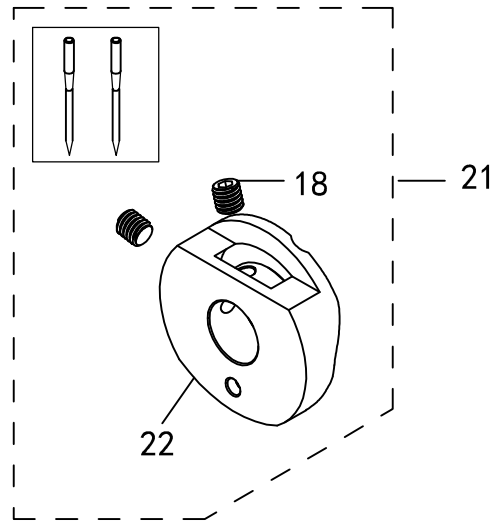
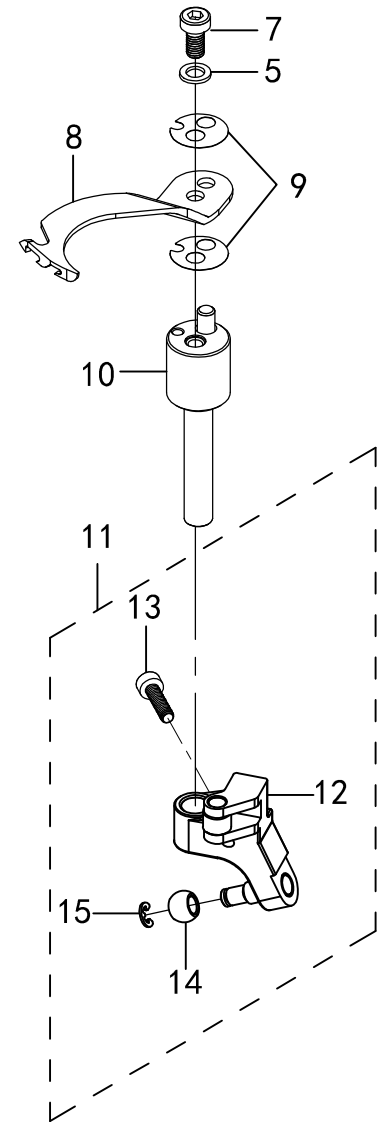
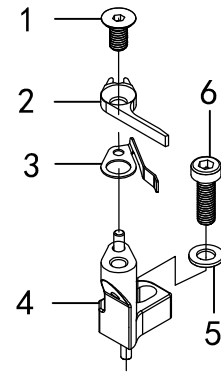
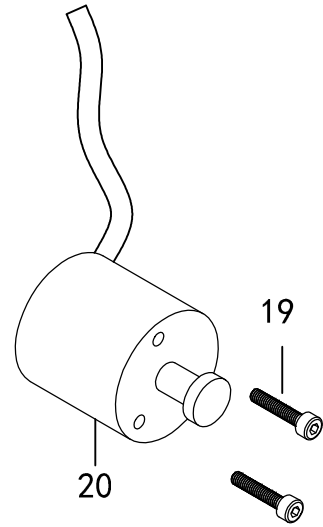
8A. Hook shaft seat of left



S/N	Part number	Description	Number
1	TN 080801A	HOOK SHAFT BASE ASM.	1
2	TN 0667 155474A	HOOK SHAFT BASE	-1
3	TN 9205 122488	SCREW	-3
4	TN 9330 700107	WASHER	-2
5	TN 9202 002077	SCREW	-3
6	TN 9190 100226	HOOK SHAFT BASE BACK COVER	-1
7	TN 0667 155403	INNER HOOK GUIDE SHAFT METAL ASM.	-1
8	TN 9357 000070	E-RING	-2
9	TN 0667 155450	HOOK SHAFT BASE SIDE COVER	1
10	TN 080879	HORIZONTAL HOOK SHAFT ASM.	-1
11	TN 080880	HORIZONTAL HOOK SHAFT ASM.	-1
12	TN 0667 155424	HORIZONTAL HOOK SHAFT RING ASM.	(-1)
13	TN 0667 155424A	HORIZONTAL HOOK SHAFT RING	(-1)
14	TN 9205 102467	SCREW	(-5)
15	TN 9205 121558	SCREW	(-1)
16	TN 0667 155460	HOOK SHAFT BASE FRONT COVER	-1
17	TN 0667 155540	OIL PIPE JOINT	-1
20	TN 0667 155893	ROCKING ARM ASM.	-1
21	TN 9126 300088	PLASTIC BUSHING METAL	-1
22	TN 9126 300061	BUSHING METAL	-1
23	TN 0667 155100	BOBBIN CASE OPENING LEVER	-1
24	TN 0667 155490	PLASTIC RING	(-1)
25	TN 0211 000648	SPRING PLATE	(-1)
26	TN 9334 000051	WASHER	(-2)
27	TN 080819	VERTICAL HOOK SHAFT ASM.	-1
29	TN 9301 200660	PIN	-2
30	TN 080884	WASHER	2
31	TN 9202 002898	SCREW	2
32	TN 0667 155720	LOWER SHAFT	1

9. Thread cutting components

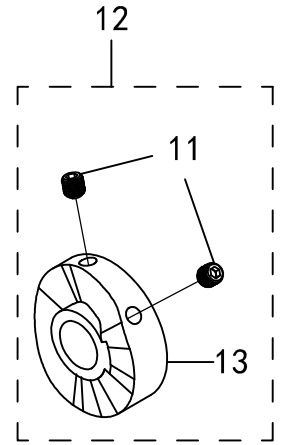
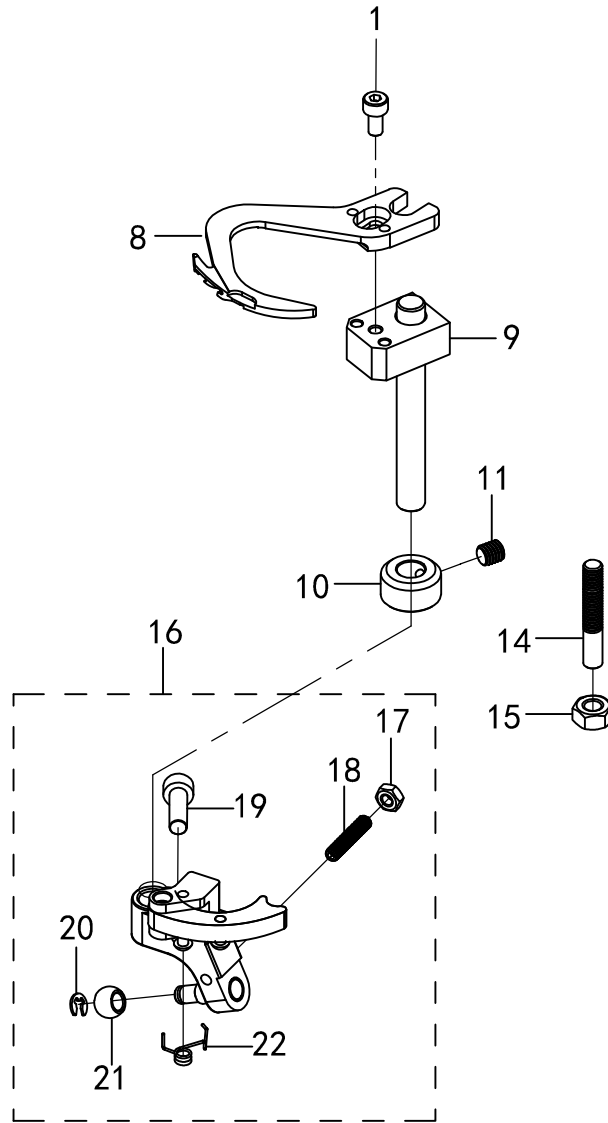
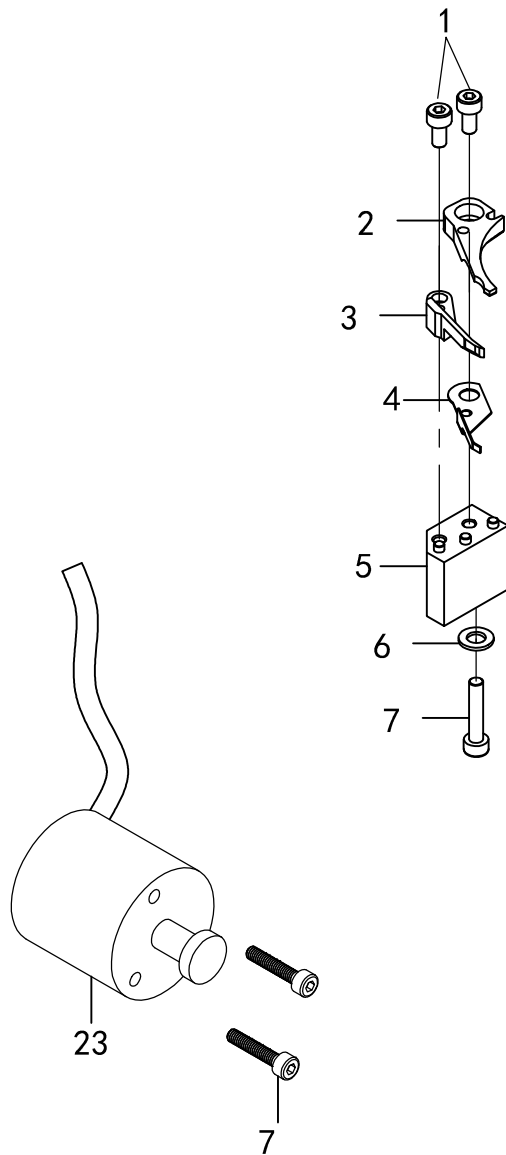
*for 2609, 3212, TN 3212



S/N	Part number	Description	Number
1	TN 9202 100537	NEEDLE PLATE SCREW	1
2	TN 0667 355130	FIXED KNIFE	1
3	TN 0667 355140	CLAMP SHELL	1
4	TN 0667 355123A	FIXING KNIFE BASE	1
5	TN 9330 700107	WASHER	1
6	TN 9202 002497	SCREW	1
7	TN 9202 022477	SCREW	1
8	TN 0667 355110	MOVING KNIFE	1
9	TN 0667 355420	WASHER	2
10	TN 0667 355103A	MOVING KNIFE BASE	1
11	TN 0667 355173	THREAD CUTTING ROTARY CRANK ASM.	1
12	TN 0667 355173A	THREAD CUTTING ROTARY CRANK	-1
13	TN 9202 002098	SCREW	-1
14	TN 0480 350200	MOVING KNIFE CRANK BALL METAL	-1
15	TN 9357 000050	E-RING	-1
16	TN 0888 350124	THREAD CUTTING RIGHT CAM ASM.	1
17	TN 0888 350124A	THREAD CUTTING RIGHT CAM	-1
18	TN 9205 102467	SCREW	-2
19	TN 9202 002107	SCREW	2
20	TN 9820 110016	ELECTROMAGNETIC VALVE	1
21	TN 0888 350134	THREAD CUTTING LEFT CAM ASM.	1
22	TN 0888 350134A	THREAD CUTTING LEFT CAM	-1

9A. Thread cutting components

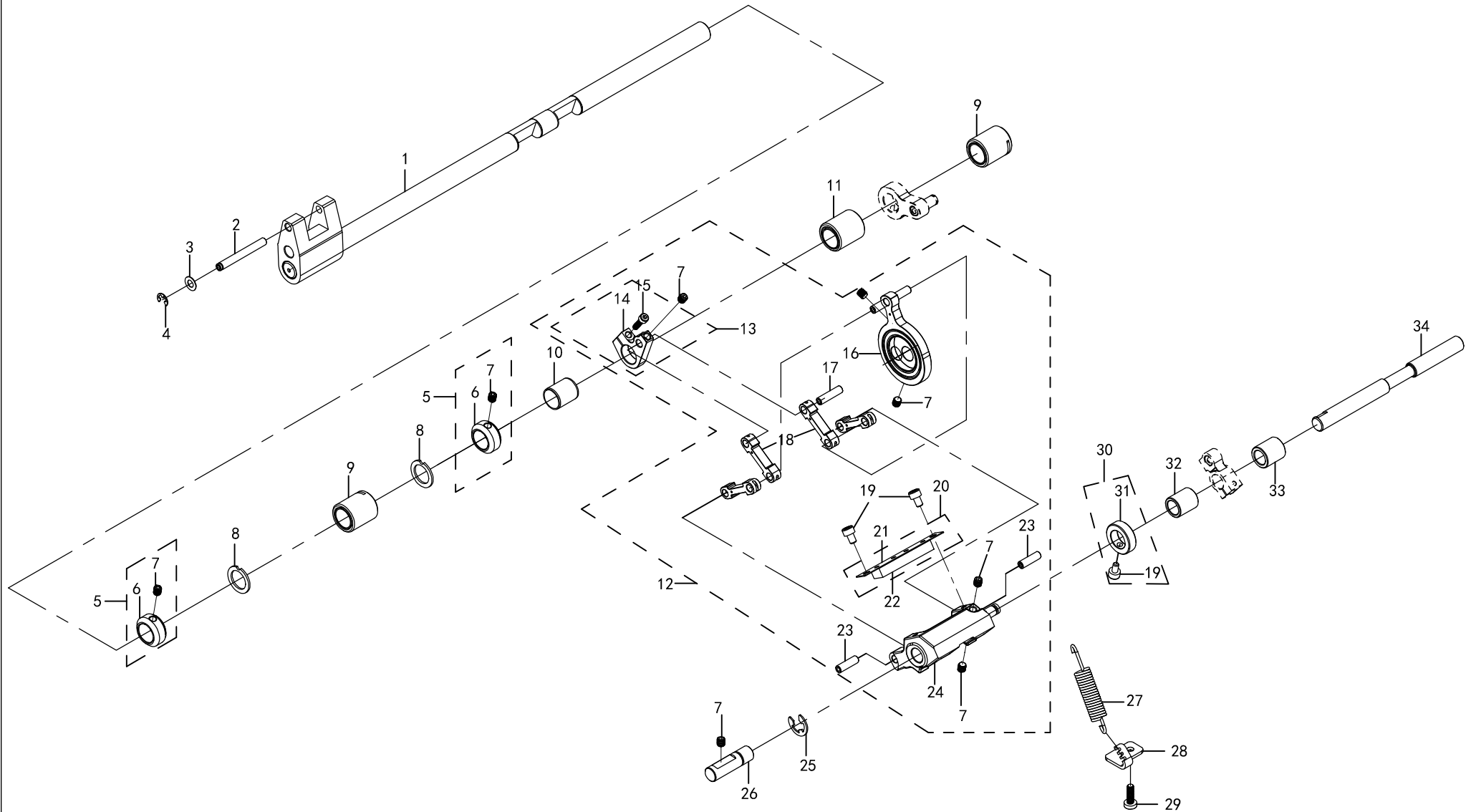
*not used



S/N	Part number	Description	Number
1	TN LS4A8	SCREW	3
2	TN 080941	STOP BLOCK	1
3	TN 080943	FIXED KNIFE	1
4	TN 080930		1
5	TN 080933	FIXING KNIFE BASE	1
6	TN 9330 700107	WASHER	1
7	TN 9202 002107	SCREW	3
8	TN 080949	MOVING KNIFE	1
9	TN 080929	MOVING KNIFE BASE	1
10	TN 090851	TRTAINING RING	1
11	TN 9205 102467	SCREW	3
12	TN 080947	THREAD CUTTING RIGHT CAM ASM.	1
13	TN 080947A	THREAD CUTTING RIGHT CAM	-1
14	TN 867 354080	SCREW PIN	1
15	TN LM6	NUT	1
16	TN 080931	THREAD CUTTING ROTARY CRANK ASM.	1
17	TN LM4	NUT	1
18	TN LS4I25	SCREW	1
19	TN 9202 002098	SCREW	-1
20	TN 9357 000050	E-RING	-1
21	TN 0480 350200	MOVING KNIFE CRANK BALL METAL	-1
22	TN 080945	TORSION SPRING	1
23	TN 9820 110016	ELECTROMAGNETIC VALVE	1

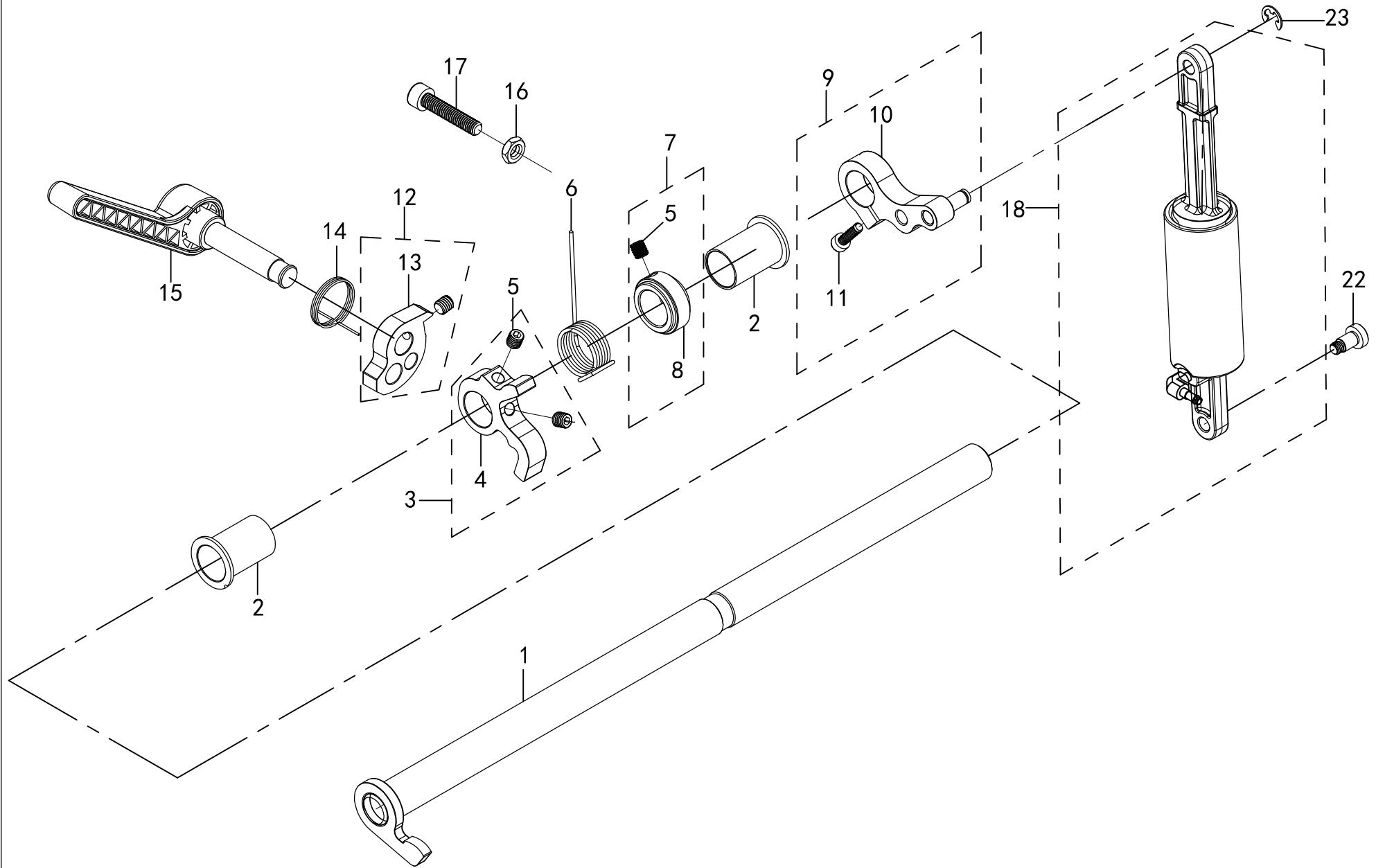
S/N	Part number	Description	Number
1	TN 0667 165403	FEED BASE ASM.	1
2	TN 9205 102467	SCREW	-8
3	TN 0867 210010	FEED DOG	1
4	TN 9202 002087	SCREW	2
5	TN 0667 165500	CONNECTING LINK	2
6	TN 9334 001640	WASHER	4
7	TN 9357 000080	E-RING	3
8	TN 0667 165423	FEED LIFTING ROCK SHAFT CRANK ASM.	1
9	TN 0667 165423A	FEED LIFTING ROCK SHAFT CRANK	-1
10	TN 0367 315223	UPPER FEED SHAFT E-RING ASM.	2
11	TN 0367 315223A	UPPER FEED SHAFT E-RING	-2
12	TN 0367 145180	WASHER	2
13	TN 0367 105083	BUSHING METAL ASM.	1
14	TN 0667 165390	SHAFT	1
15	TN 0367 105180	PLASTIC BUSHING METAL	-2
16	TN 0667 165454	FEED LIFTING ROCK SHAFT CAM ROD ASM. 抬牙曲柄凸轮连杆组件	1
17	TN 0667 315423	FEED LIFTING ROCK SHAFT CRANK ASM.	-1
18	TN 9205 102477	SCREW	(-2)
19	TN 081028	FEED LIFTING CAM ROD ASM.	-1
20	*	FEED DOG	1

11. Bottom feeding drive mechanism



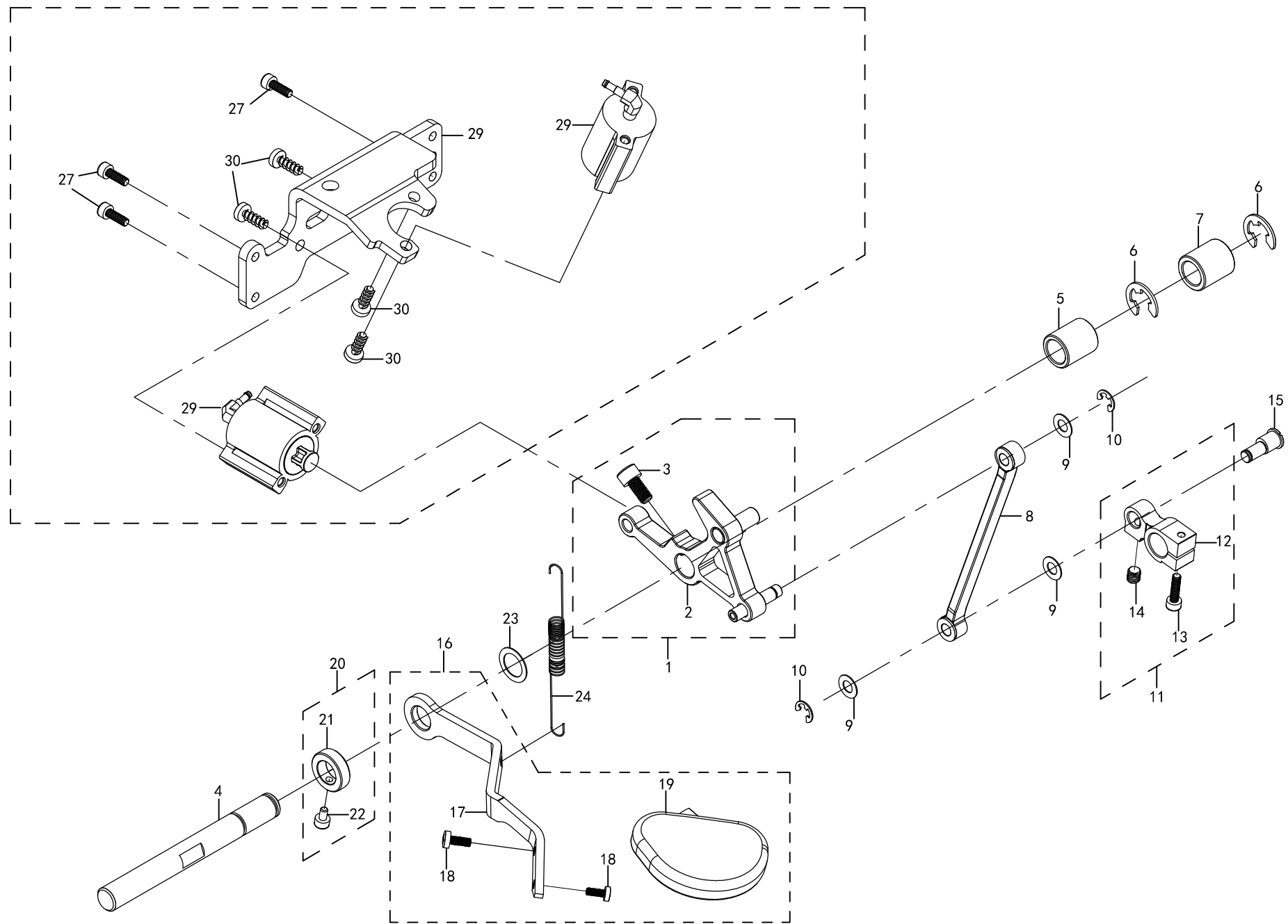
S/N	Part number	Description	Number
1	TN 0667 165063	FEED SHAFT ASM.	1
2	TN 0367 165140	AXIS PIN	1
3	TN 9334 001630	WASHER	1
4	TN 9357 000070	E-RING	1
5	TN 0367 315223	UPPER FEED SHAFT E-RING ASM.	1
6	TN 0367 315223A	UPPER FEED SHAFT E-RING	-4
7	TN 9205 102467	SCREW	-8
8	TN 0367 145180	WASHER	2
9	TN 0367 105083	BUSHING METAL ASM.	2
10	TN 0367 105180	PLASTIC BUSHING METAL	-4
11	TN 081146	BUSHING METAL ASM.	1
12	TN 0667 165134	FEED ADJUSTING BASE ASM.	1
13	TN 0667 165154	CRANK ASM.	-1
14	TN 0667 165154A	CRANK	(-1)
15	TN 9202 002098	SCREW	(-1)
16	TN 0667 165164	FEED ROD ASM.	-1
17	TN 0867 160630	PIN	-1
18	TN 0667 160480	ADJUSTMENT ROD	-4
19	TN 9204 201657	SCREW	-2
20	TN 0667 385013	FELT ASM.	-1
21	TN 0667 385013A	FELT	(-1)
22	TN 0667 385013B	CRANK FELT FIXED PLATE	(-1)
23	TN 0867 160620	PIN	-2
24	TN 081147	UPPER FEED ADJUSTING BASE ASM.	-1
25	TN 9357 000120	E-RING	1
26	TN 0637 165120	SHAFT	1
27	TN 0818 160210	FEED ADJUSTING CRANK SPRING	1
28	TN 0667 165550	SPRING HANGER	1
29	TN LS4A16	SCREW	1
30	TN 0491 030652	FIXED RING ASM.	1
31	TN 0491 030652A	FEED ADJUSTING E-RING	-1
32	TN 9126 102520	ADJUSTMENT LEFT COVER	1
33	TN 9126 102540	ADJUSTMENT RIGHT COVER	1
34	TN 081143	FEED ADJUSTING CRANK SHAFT	1

12. Presser lifting mechanism



S/N	Part number	Description	Number
1	TN 081231	PRESSER FOOT LIFTER ASM.	1
2	TN 0367 145110	BUSHING METAL	2
3	TN 0667 135124	HAND PRESSER FOOT CRANK ASM.	1
4	TN 0667 135124A	CRANK	-1
5	TN 9205 102467	SCREW	-4
6	TN 0688 130290	TORQUE SPRING	1
7	TN 0367 315223	UPPER FEED SHAFT E-RING ASM.	1
8	TN 0367 315223A	UPPER FEED SHAFT E-RING	-1
9	TN 0667 135033	CRANK ASM.	1
10	TN 0667 135033A	CRANK	-1
11	TN 9202 002098	SCREW	-1
12	TN 0667 135093	PRESSER FOOT LIFTER CAM ASM.	1
13	TN 0667 135094A	HAND PRESSER FOOT LIFTER CAM	-1
14	TN 0688 130103	PRESSER FOOT LIFTER TORSION SPRING	1
15	TN 0667 135103B	PRESSER FOOT LIFTER HANDLE	1
16	TN 9231 000387	NUT	1
17	TN 9202 002927	SCREW	1
18	TN 9700 100103	CYLINDER ASM.	1
21	TN 9742 300195	SEALING RING	-1
22	TN 0367 135200	SCREW	1
23	TN 9357 000070	E-RING	1

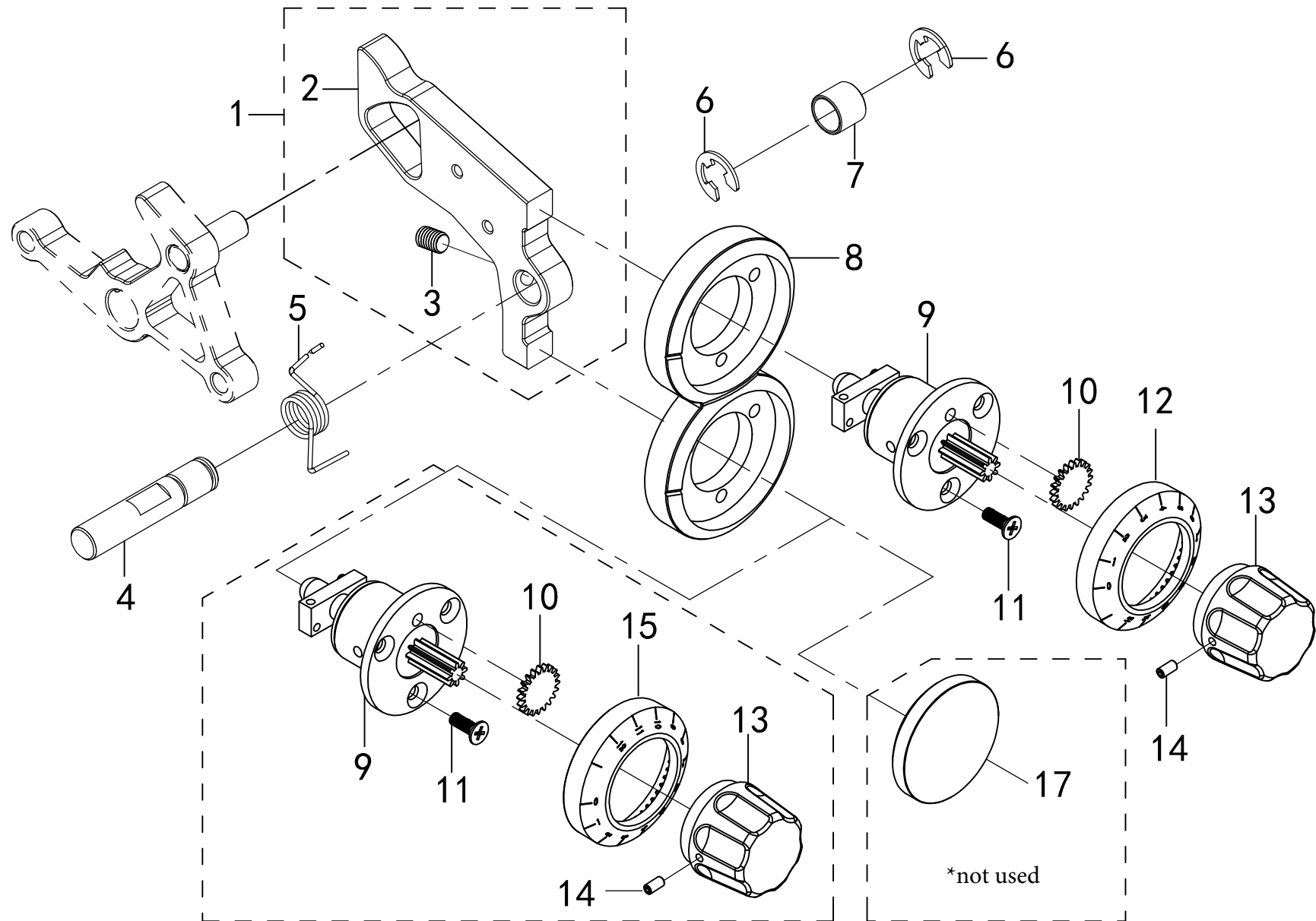
13. Backtacking components



S/N	Part number	Description	Number
1	TN 0667 165243	ROCKING FRAME ASM.	1
2	TN 0667 165243A	ADJUSTING FRAME	-1
3	TN 9202 002888	SCREW	-2
4	TN 0667 165260	SHAFT	1
5	TN 9126 102520	ADJUSTMENT LEFT COVER	1
6	TN 9357 000120	E-RING	2
7	TN 9126 102540	ADJUSTMENT RIGHT COVER	1
8	TN 083078	ADJUSTING FRAME ROD ASM.	1
9	TN 9334 001630	WASHER	4
10	TN 9357 000070	E-RING	2
11	TN 0667 165284	FEED ADJUSTING RIGHT BASE ASM.	1
12	TN 0667 165284A	FEED ADJUSTING RIGHT BASE	-1
13	TN 9202 002098	SCREW	-1
14	TN 9205 102467	SCREW	-1
15	TN 0667 165290	CAM PIN	1
16	TN 0667 165570	BACK TACKING HANDLE ASM.	1
17	TN 0667 165210	BACK TACKING HANDLE	-1
18	TN 9204 201667	SCREW	-2
19	TN 0667 165570A	PLASTIC PLATE	-1
20	TN 0491 030652	FIXED RING ASM.	1
21	TN 0491 030652A	FIXED RING	-1
22	TN 9204 201657	SCREW	-1
23	TN 0998 881610	WASHER	1
24	TN 0667 165220	SPRING	1
25	TN 9202 002087	SCREW	5
26	TN 081330	CYLINDER ASM.	1
27	TN 0667 165190	CYLINDER FIXED FRAME	-1
28	TN 9204 302217	SCREW	-4
29	TN 081333	CYLINDER ASM.	-2
30	TN 081341	CYLINDER SHELL	(-2)
31	TN 9700 100100B	SEALING RING	(-2)
33	TN 081338	ZERO CRANK	-1
34	TN LS6I16	SCREW	-1

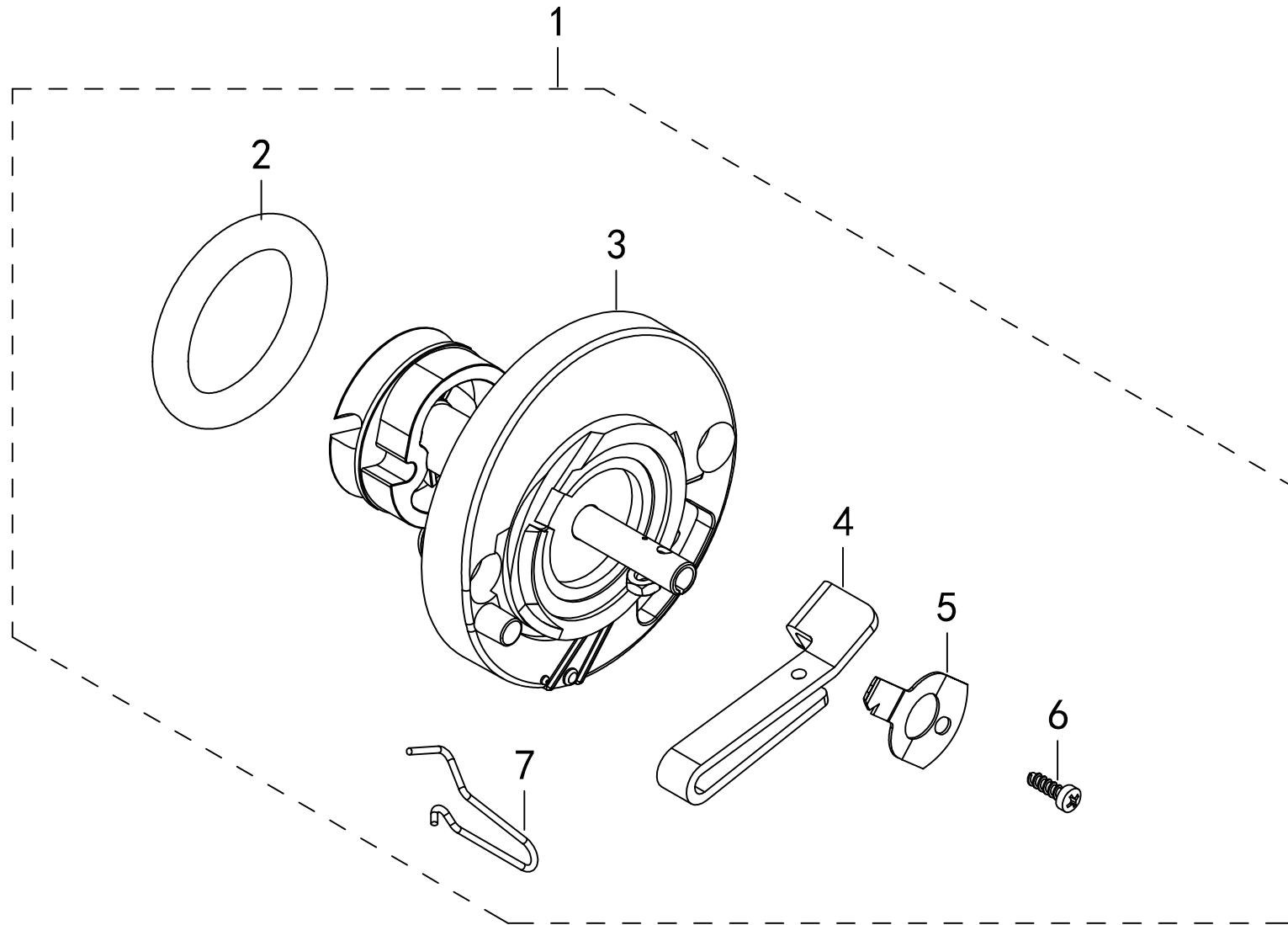
14. Stitch length adjustment mechanism

*for 2609, 3212, TN 3212



S/N	Part number	Description	Number
1	TN 0667 165234	STITCH LENGTH ADJUSTING FRAME ASM.	1
2	TN 0667 165234A	STITCH LENGTH ADJUSTING FRAME	-1
3	TN 9205 102477	SCREW	-1
4	TN 0667 165250	ADJUSTING FRAME SHAFT	1
5	TN 0667 160350	ADJUSTING FRAME SPRING	1
6	TN 9357 000100	E-RING	2
7	TN 0291 000334	ADJUSTING FRAME SHAFT METAL	1
8	TN 081421	STITCH LENGTH ADJUSTING RUBBER BASE	2
9	TN 081437	ADJUSTING BASE ASM.	1
10	TN 081422	PLASTIC GEAR	2
11	TN LS4D16	SCREW	6
12	TN 081423	LONG DIAL	1
13	TN 081424	ADJUSTING KNOB	2
14	TN LS3I6	SCREW	6
15	TN 081434	SHORT DIAL	1
16	TN 081437A	ADJUSTING BASE ASM.	1
17	TN 081439	ADJUSTING BASE COVER	1

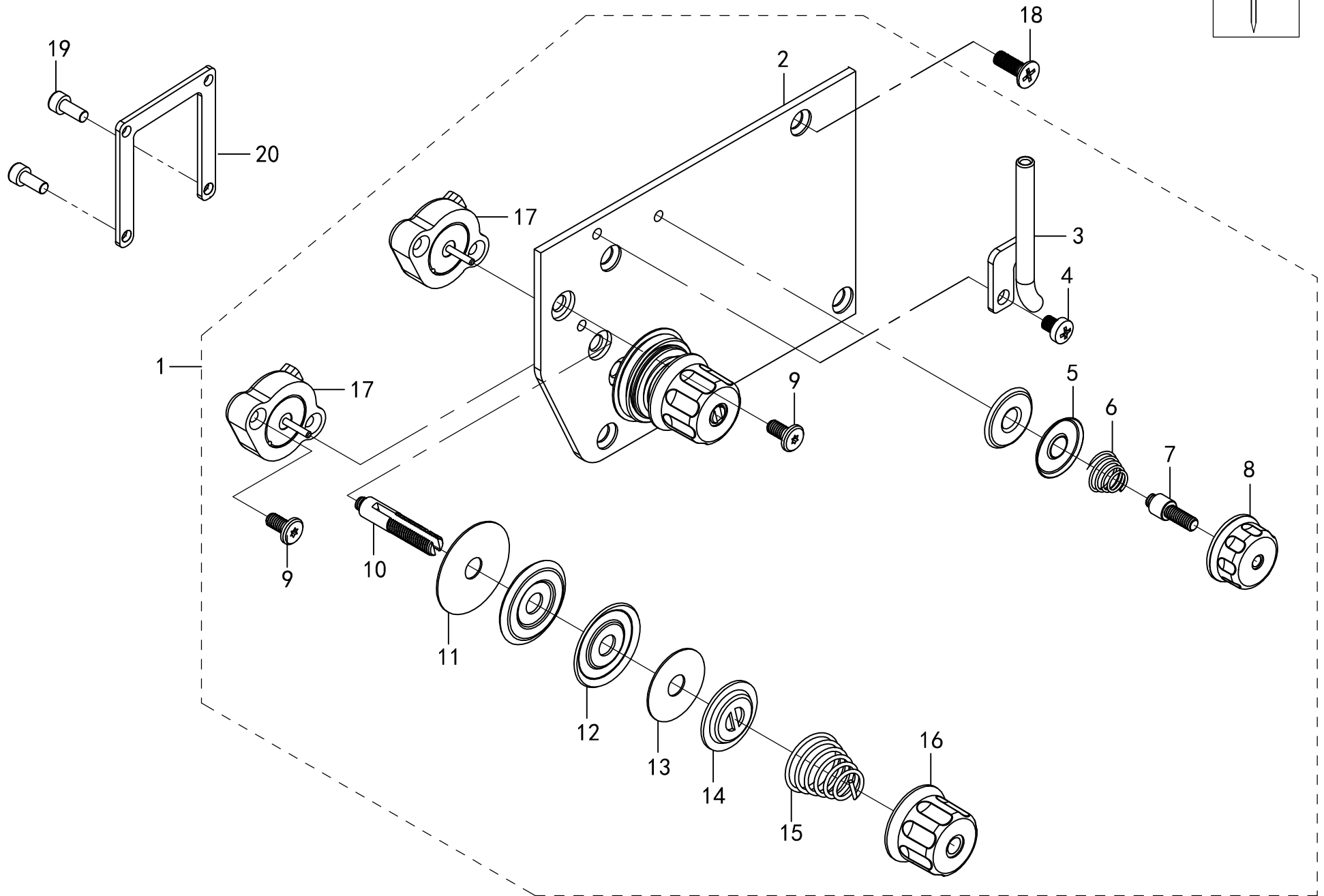
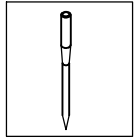
15. Lower thread winder mechanism component



S/N	Part number	Description	Number
1	TN 0667 175114		1
2	TN 0216 000591		1
3	TN 0667 175053A		1
4	TN 0667 175083A		1
5	TN 0667 175020		1
6	TN 9204 301487		1
7	TN 081510		1

16. Thread tension components

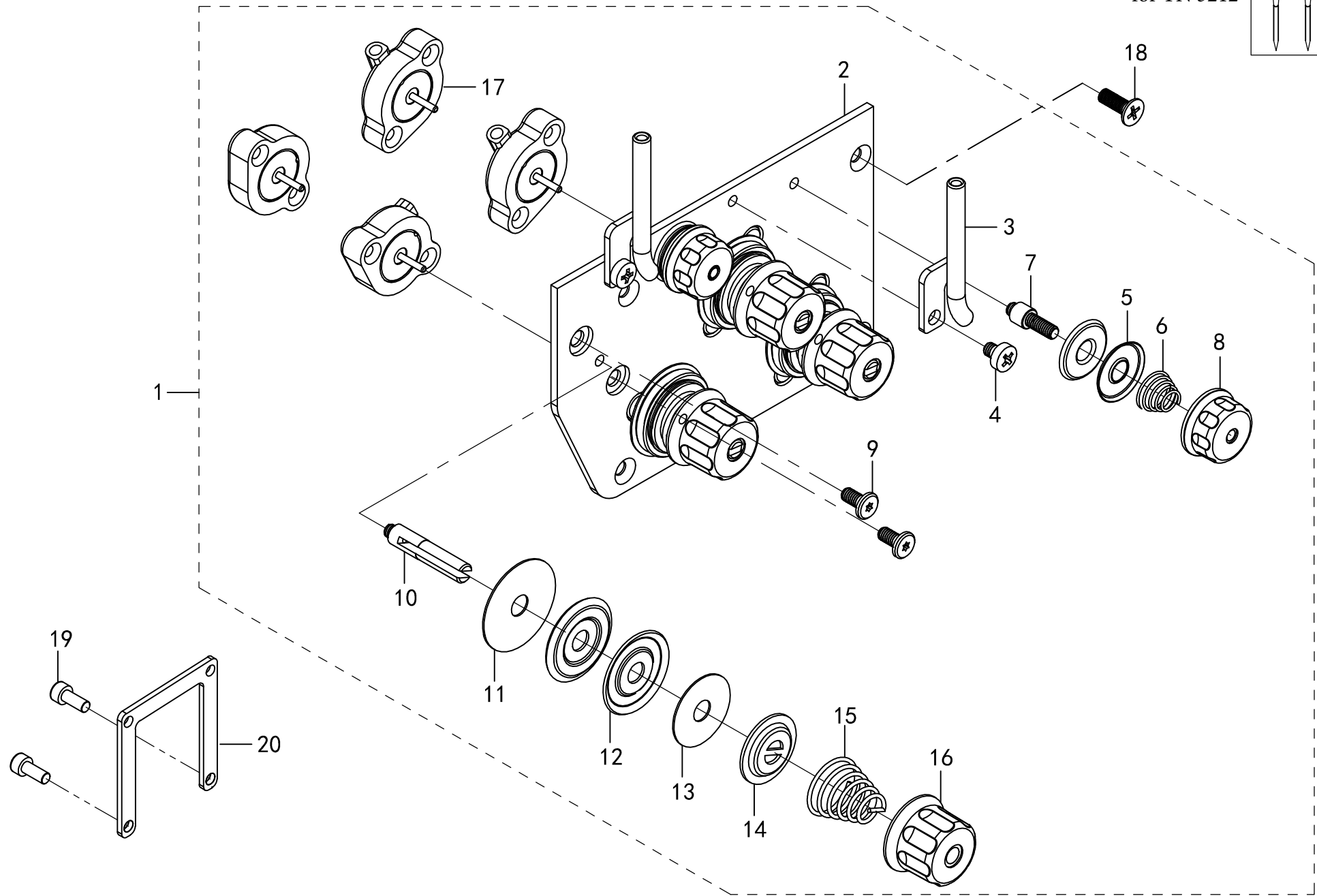
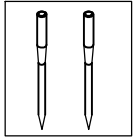
*for 2609, 3212



S/N	Part number	Description	Number
1	TN 081601	THREAD TENSION ASM.	1
2	TN 081635A	TENSION DISC	-1
3	TN 081641	THREAD GUIDE ASM.	-1
4	TN LS4E5	SCREW	-1
5	TN 0037 001280	CLAMP PLATE	-2
6	TN 0667 115640	SPRING	-1
7	TN 0667 115590	TENSION RELEASE SHAFT	-1
8	TN 0667 115210	PRESSURE REGULATING NUT	-1
9	TN 9204 431657	SCREW	-4
10	TN 0667 115290	THREAD RELEASE SHAFT	-2
11	TN 0667 115530	WASHER	-2
12	TN 0467 110220	CLAMP PLATE	-4
13	TN 0667 115520	WASHER	-2
14	TN 0061 001050	PRESSURE PLATE	-2
15	TN 0099 004910	SPRING	-2
16	TN 0667 115203	PRESSURE REGULATING NUT	-2
17	TN 0667 115354	CYLINDER ASM.	-2
18	TN 9225 201770	SCREW	4
19	TN LS5A12	SCREW	6
20	TN 081645	THREAD GUIDE	1

16A. Thread tension components

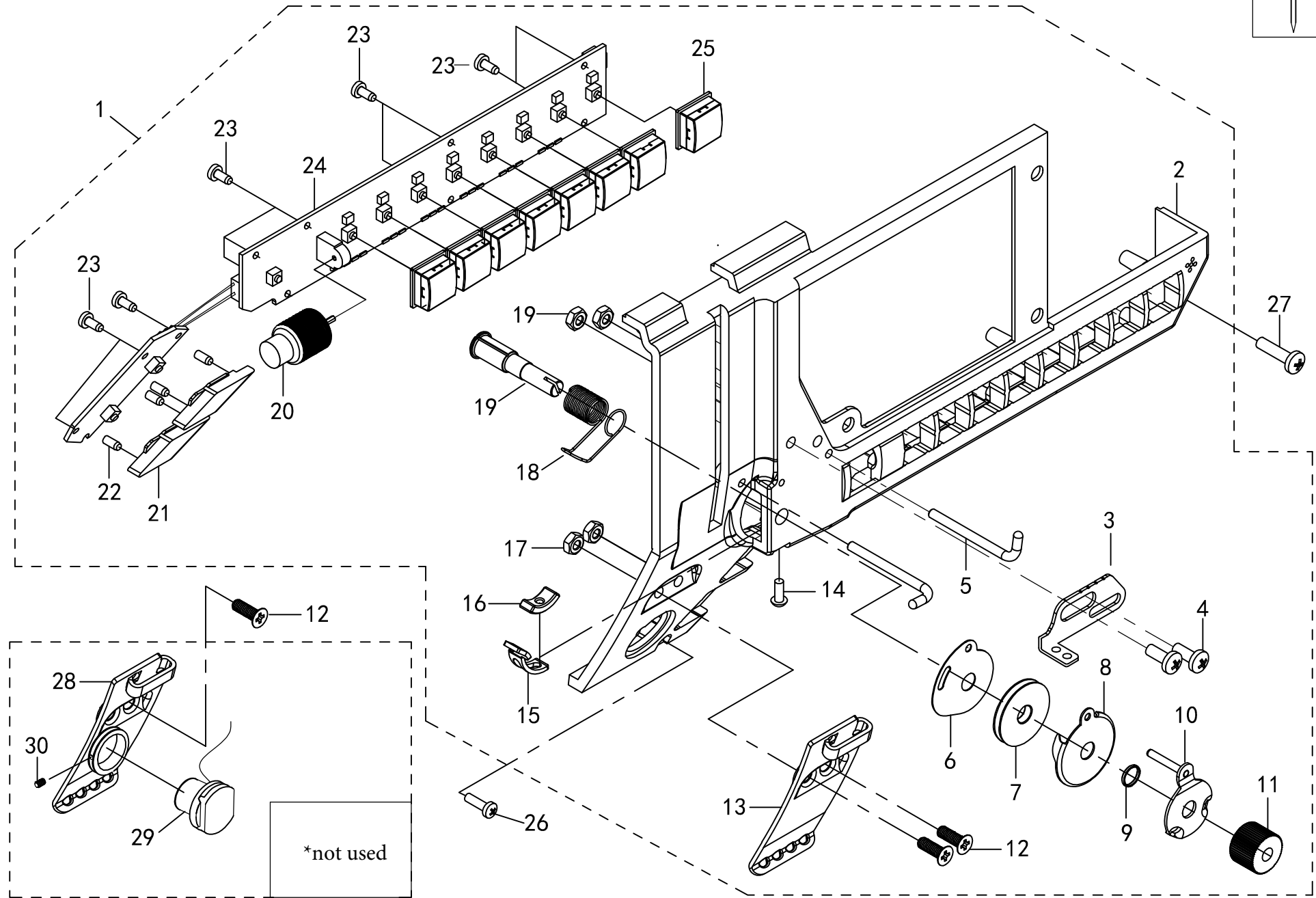
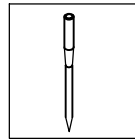
*for TN 3212



S/N	Part number	Description	Number
1	TN 081642	THREAD TENSION ASM.	1
2	TN 081635	TENSION DISC	-1
3	TN 081641	THREAD GUIDE ASM.	-2
4	TN LS4E5	SCREW	-2
5	TN 0037 001280	CLAMP PLATE	-4
6	TN 0667 115640	SPRING	-2
7	TN 0667 115590	TENSION RELEASE SHAFT	-2
8	TN 0667 115210	PRESSURE REGULATING NUT	-2
9	TN 9204 431657	SCREW	-8
10	TN 0667 115290	THREAD RELEASE SHAFT	-4
11	TN 0667 115530	WASHER	-4
12	TN 0467 110220	CLAMP PLATE	-8
13	TN 0667 115520	WASHER	-4
14	TN 0061 001050	PRESSURE PLATE	-4
15	TN 0099 004910	SPRING	-4
16	TN 0667 115203	PRESSURE REGULATING NUT	-4
17	TN 0667 115354	CYLINDER ASM.	-4
18	TN 9225 201770	SCREW	4
19	TN LS5A12	SCREW	2
20	TN 081645	THREAD GUIDE	1

17. Button section

*for 2609, 3212

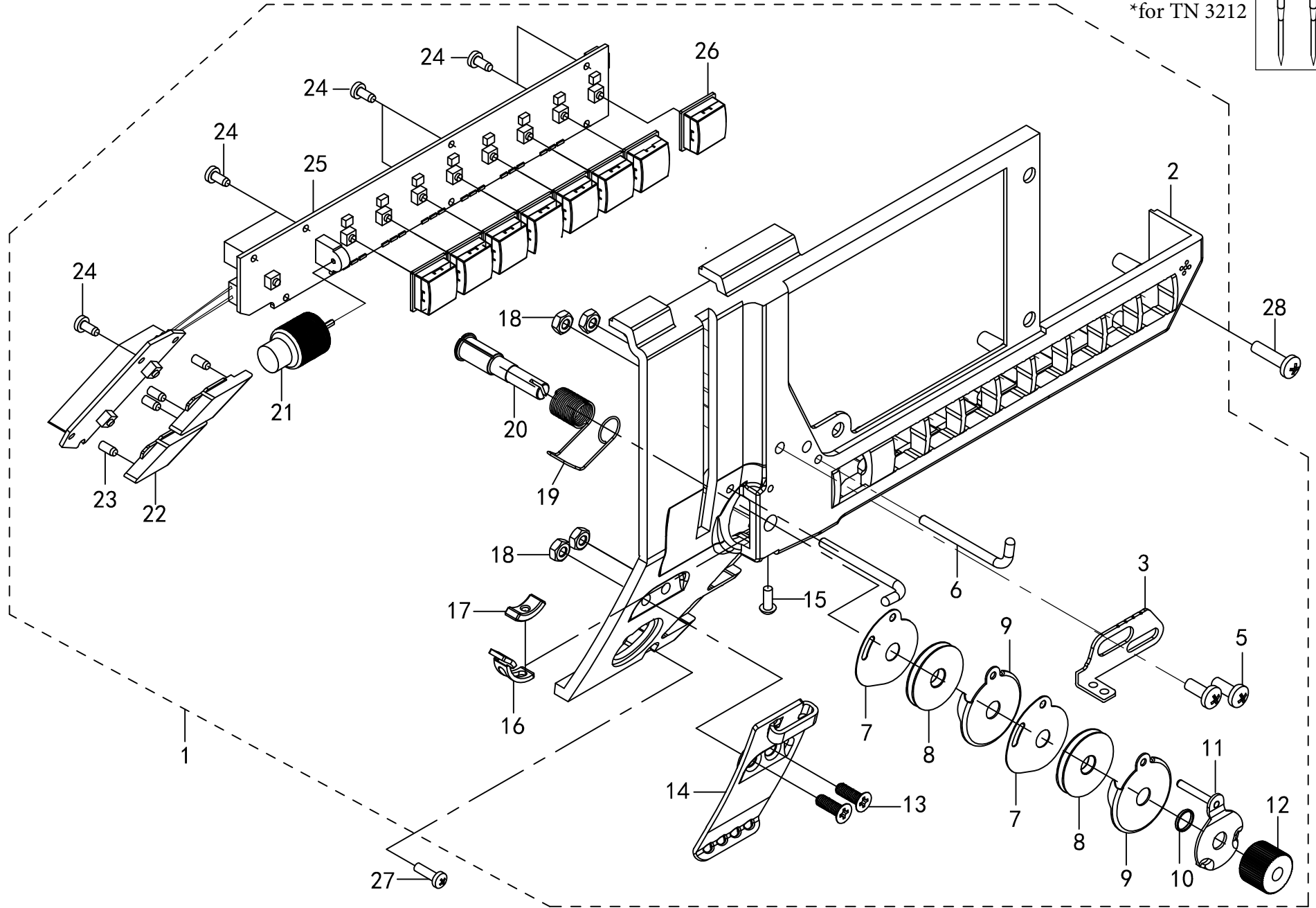
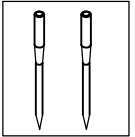


*not used

S/N	Part number	Description	Number
1	TN 081721	BUTTON ASM	1
2	TN 081717	BUTTON PLATE	-1
3	TN 081773	CONDUCTING PLATE	-2
4	TN LS4E10	SCREW	-2
5	TN 0667 110340	THREAD GUIDE	-2
6	TN 0367 114350	SPACER PLATE	-1
7	TN 0367 110340	CONDUCTING WHEEL	-1
8	TN 0367 110360	CONDUCTING WHEEL PRESSER PLATE	-1
9	TN 0867 114160	WASHER	-1
10	TN 081732	PRESSER PLATE WASHER	-1
11	TN 081728	NUT	-1
12	TN LS3D10	SCREW	-2
13	TN 020182	THREAD GUIDE PLATE	-1
14	TN LS3C6	SCREW	-1
15	TN 0867 114340	SLIDE PLATE	-1
16	TN 0867 114330	NUT	-1
17	TN LM4	NUT	-4
18	TN 0867 114280	TORSION SPRING	-1
19	TN 081726	TAKE-UP SPRING SHAFT	-1
20	TN 081720	SCROLL WHEEL	-1
21	TN 081718	SHORTCUT BUTTON	-2
22	TN 081751	BUFFER COTTON	-4
23	TN LS2.2G6.5	SELF-TAPPING SCREW	-12
24	TN 081725	BUTTON PCB	-1
25	TN 081722	BUTTON	-8
26	TN LS3E10	SCREW	1
27	TN LS4A15	SCREW	1
28	TN 020182A	THREAD GUIDE PLATE	1
29	TN NSB01	ELECTROMAGNETIC VALVE	1
30	TN LS4I3	SCREW	1

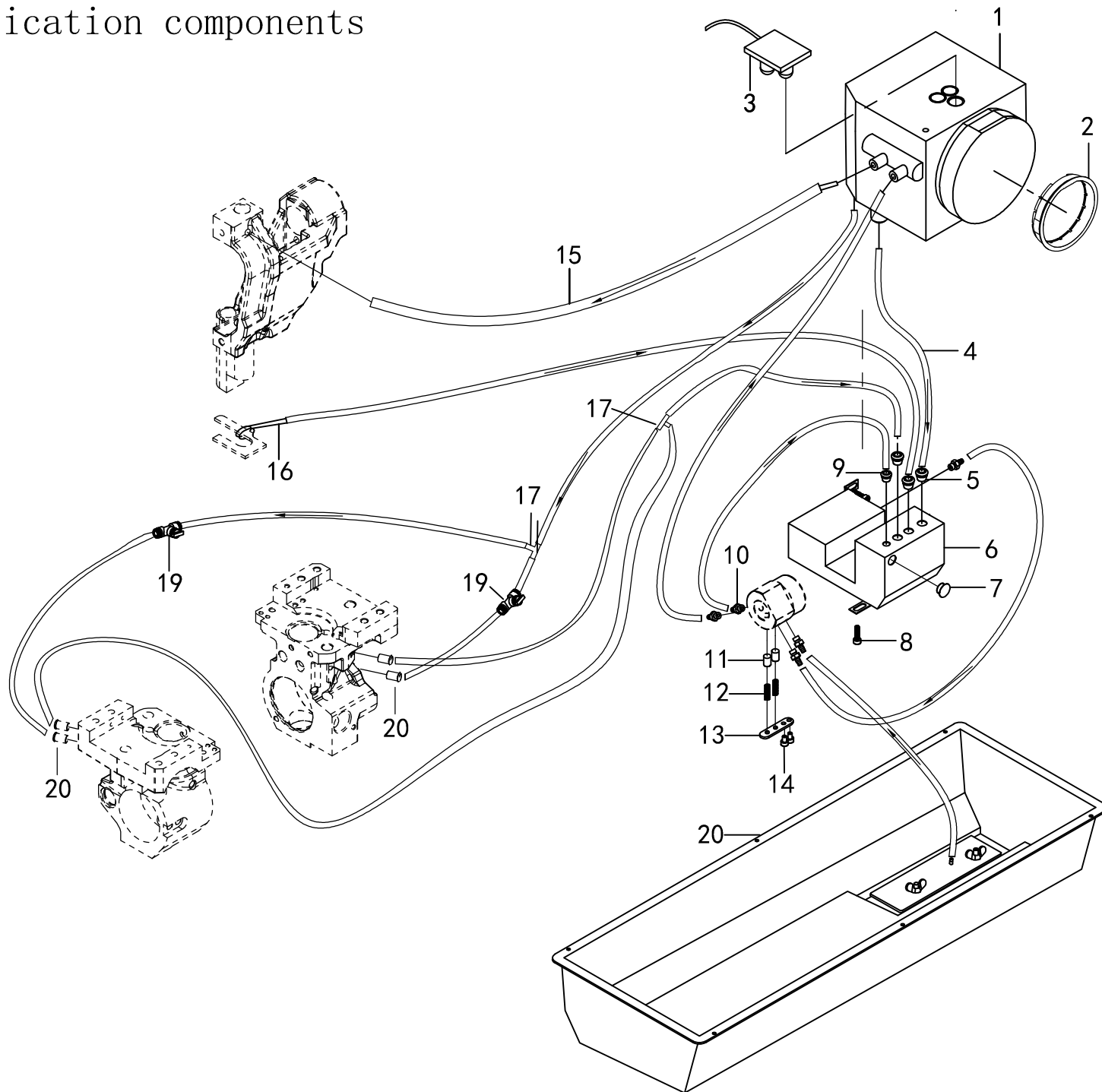
17A. Button section

*for TN 3212



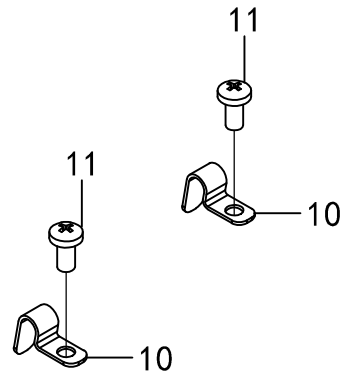
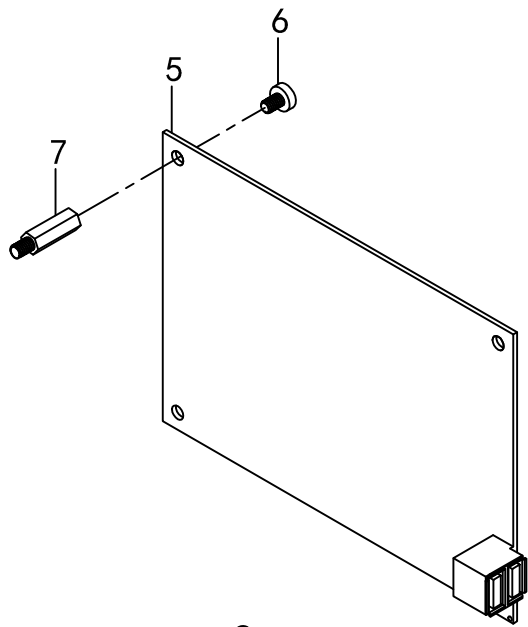
S/N	Part number	Description	Number
1	TN 081737	BUTTON ASM	1
2	TN 081717	BUTTON PLATE	-1
3	TN 081773	CONDUCTING PLATE	-2
4	TN 020841E	CUSHION BLOCK	-1
5	TN LS4E10	SCREW	-2
6	TN 0667 110340	THREAD GUIDE	-2
7	TN 0367 114350	SPACER PLATE	-2
8	TN 0367 110340	CONDUCTING WHEEL	-2
9	TN 0367 110360	CONDUCTING WHEEL PRESSER PLATE	-2
10	TN 0867 114160	WASHER	-1
11	TN 081732	PRESSER PLATE WASHER	-1
12	TN 081728	NUT	-1
13	TN LS3D10	SCREW	-2
14	TN 020182	THREAD GUIDE PLATE	-1
15	TN LS3C6	SCREW	-1
16	TN 0867 114340	SLIDE PLATE	-1
17	TN 0867 114330	NUT	-1
18	TN LM4	NUT	-4
19	TN 081746	TORSION SPRING	-1
20	TN 081726	TAKE-UP SPRING SHAFT	-1
21	TN 081720	SCROLL WHEEL	-1
22	TN 081718	SHORTCUT BUTTON	-2
23	TN 081751	BUFFER COTTON	-4
24	TN LS2. 2G6. 5	SELF-TAPPING SCREW	-12
25	TN 081725	BUTTON PCB	-1
26	TN 081722	BUTTON	-8
27	TN LS3E10	SCREW	1
28	TN LS4A15	SCREW	1

18. Lubrication components

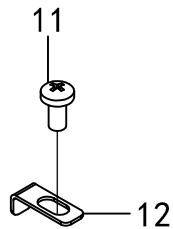
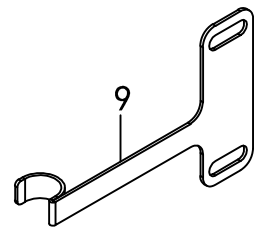
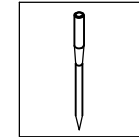
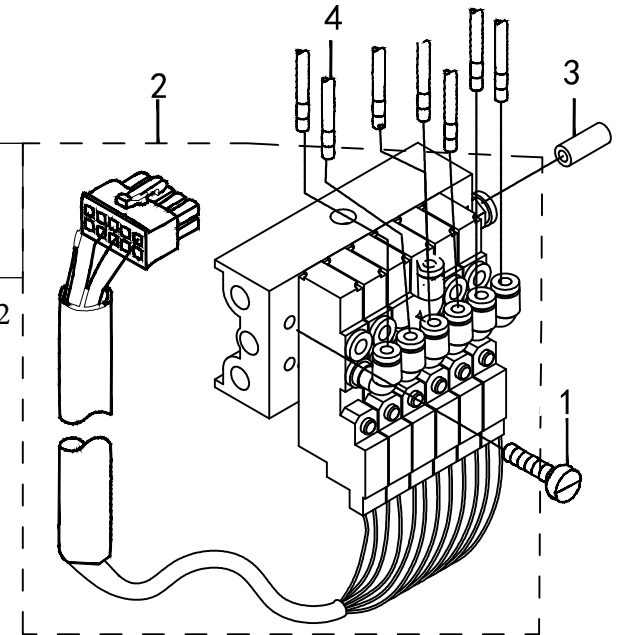


S/N	Part number	Description	Number
1	TN 0667 385033	OIL POT	1
2	TN 0667 385033E	OIL POT RING	1
3	TN 9850 867001	OIL POT LIGHT	1
4	TN BT0600402EA	OIL TUBE	5
5	TN 081843	PLUG ϕ 7*9	2
6	TN 081837A	OIL BOX	1
7	TN 010114	PLUG	1
8	TN LS4A16	SCREW	1
9	TN 081846	PLUG ϕ 5*7	1
10	TN 021326	CONNECTING SCREW	4
11	TN B3534155000	PLUNGER	2
12	TN B1214038000	PLUNGER SPRING	2
13	TN 081844	PLUNGER THRUST PLATE	1
14	TN 9204 201657	SCREW	2
15	TN 23630007	OIL TUBE	2
16	TN 9041 100203	OIL LINE	1
17	TN 081847	Tee	1
18	TN LS6I6	SCREW	1
19	TN 081851	SWITCH	1
20	TN 082018	OIL BOX	1

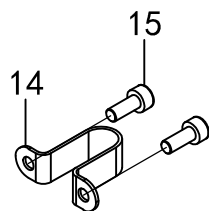
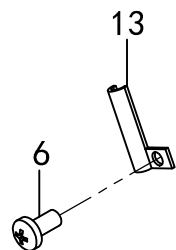
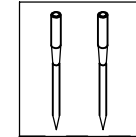
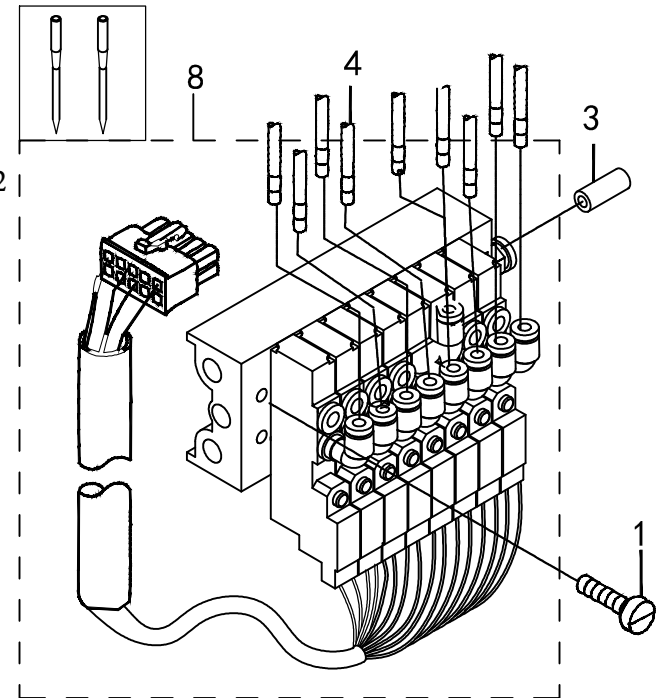
19. Air mechanism components



*for 2609, 3212

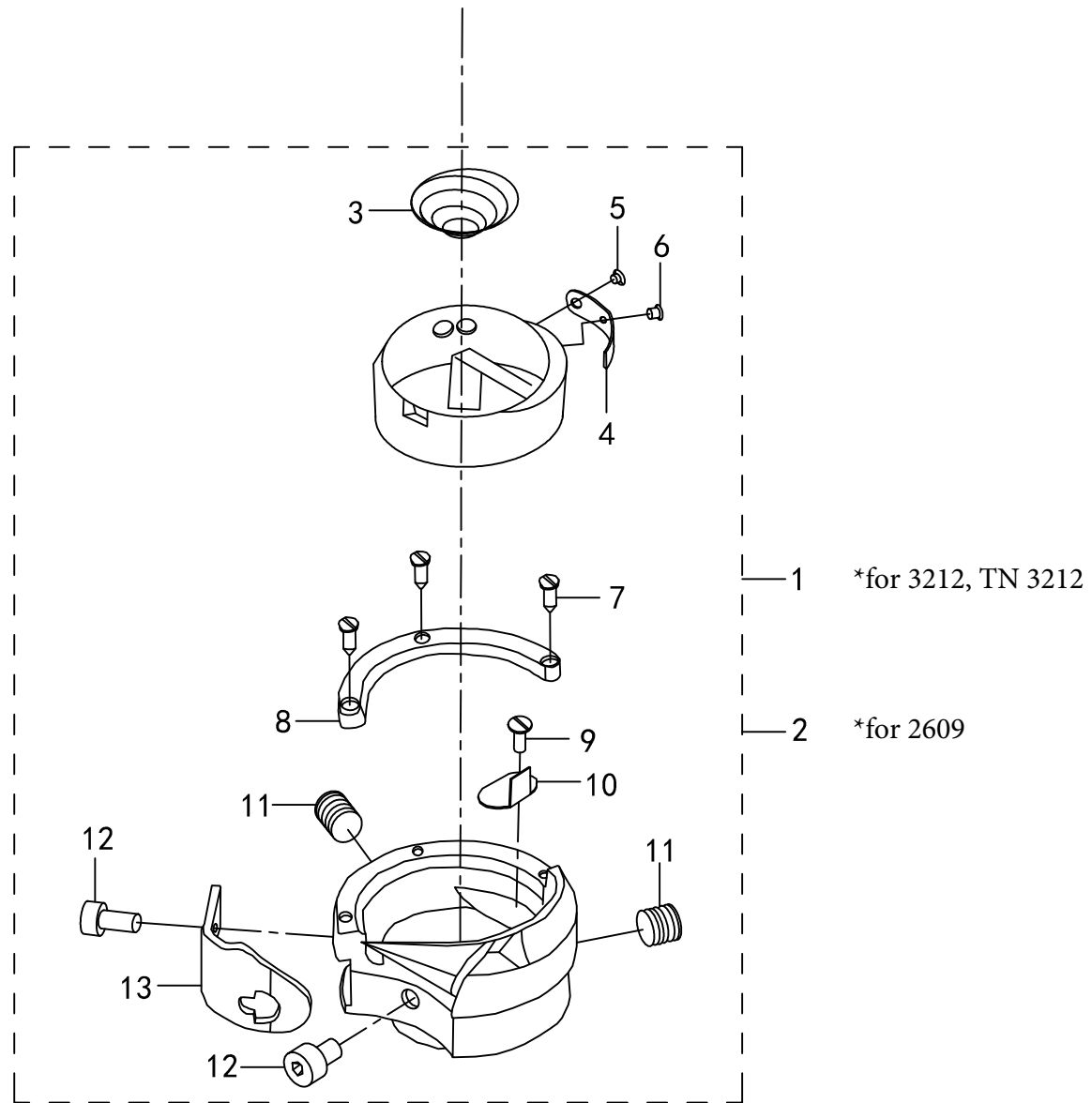


*for TN 3212



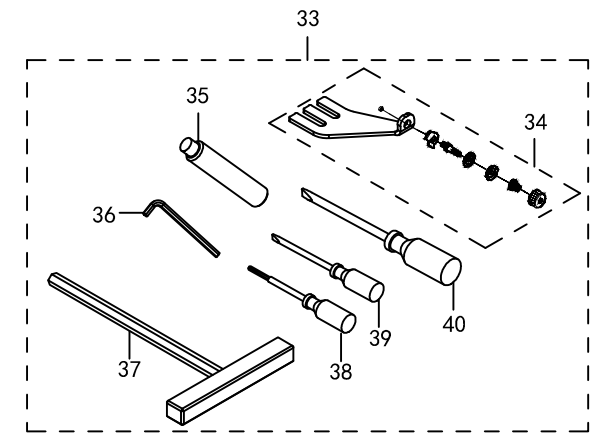
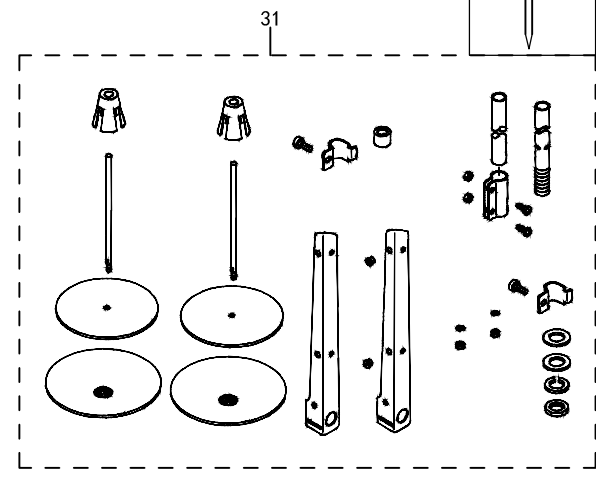
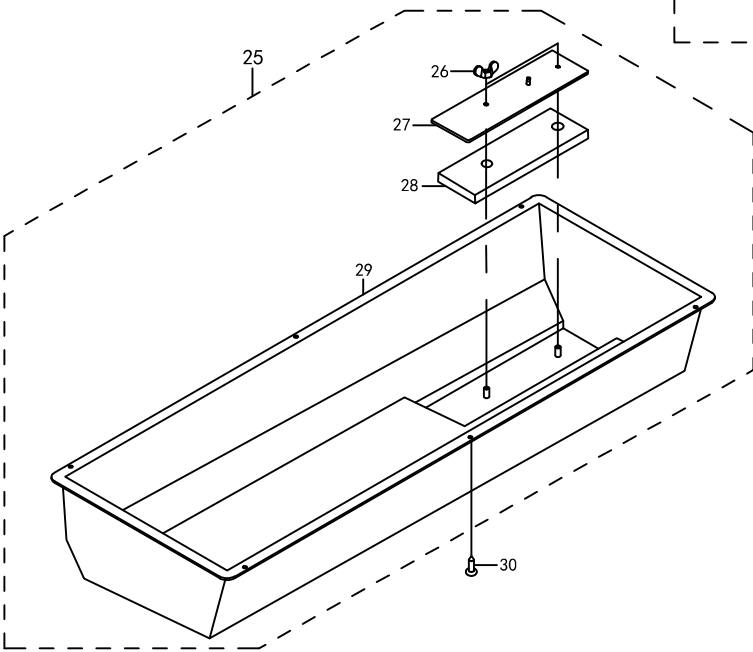
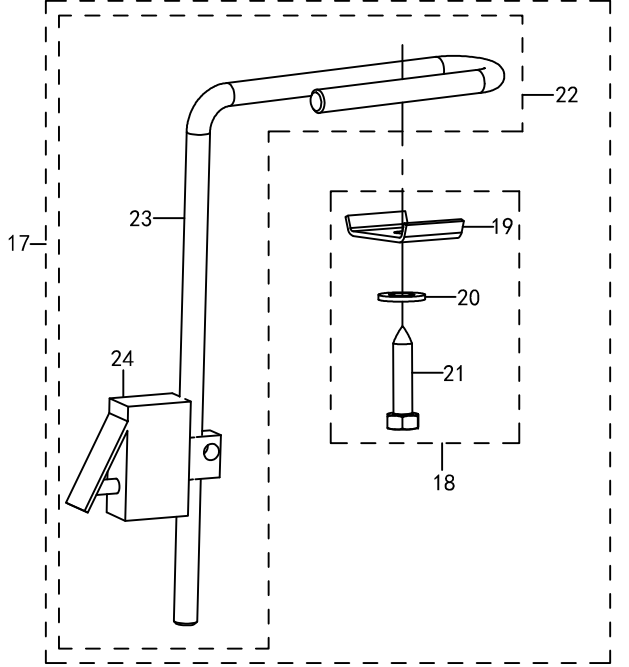
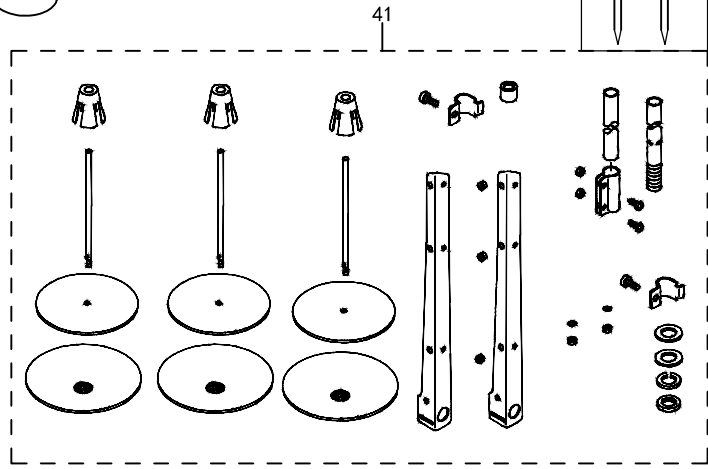
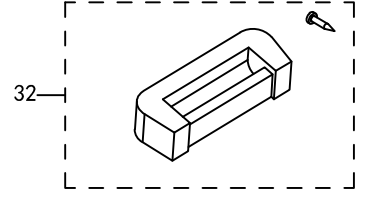
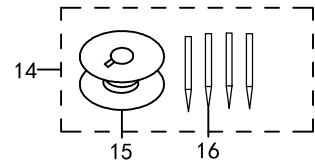
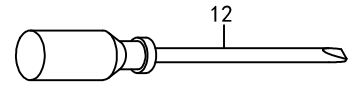
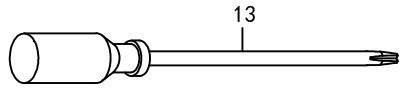
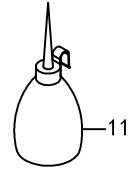
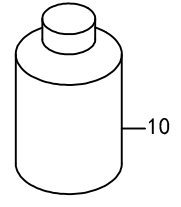
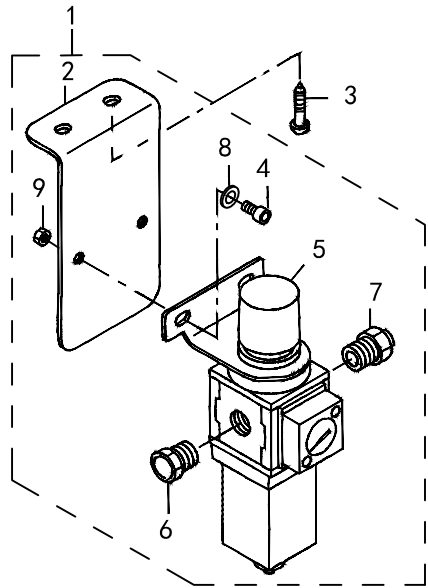
S/N	Part number	Description	Number
1	TN LS4A24	SCREW	2
2	TN 022239E	ELECTROMAGNETIC VALVE ASM. .	1
3	TN APU0604 L=500	TUBE	1
4	TN APU0425 L=500	TUBE	7
5	TN 081735	MAIN CONTROL BOARD	1
6	TN LS4E10	SCREW	4
7	TN 081736	Hexagon pillar	4
8	TN 022248	ELECTROMAGNETIC VALVE ASM. .	1
9	TN 082035	Clamp	1
10	TN 082038	Clamp	2
11	TN LS5E10	SCREW	3
12	TN 082017	Clamp	1
13	TN 082001	Clamp	1
14	TN 082036	Clamp	1
15	TN LS4A10	SCREW	2
16	TN 022248	ELECTROMAGNETIC VALVE ASM. .	1

20. Hook shaft

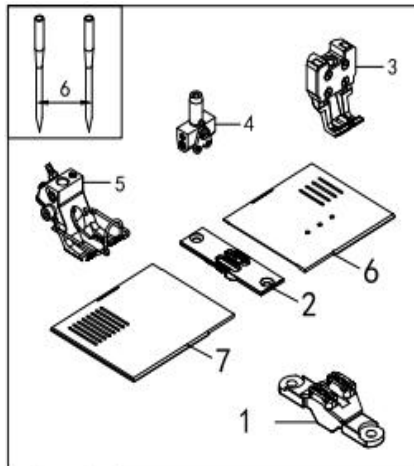


S/N	Part number	Description	Number
1	TN 0667 155634	HOOK	1
2	TN 0667 155604	HOOK	1
3	TN 0767 150590	SPRING	-1
4	TN 0667 156440	TENSION SPRING	-1
5	TN 0992 023577	ADJUSTING SCREW	-1
6	TN 0992 023560	TENSION SPRING SETSCREW	-1
7	TN 0992 016580	SCREW	-3
8	TN 0667 150840	CRESCENT	-1
9	TN 9203 211830	SCREW	-1
10	TN 0667 150850	OIL COVER	-1
11	TN SC869K	SCREW	-2
12	TN 0667 156330	SCREW	-2
13	TN 0667 156180	NEEDLE GUARD	-1
14	TN 0667 150830	BOBBIN WINDER	1

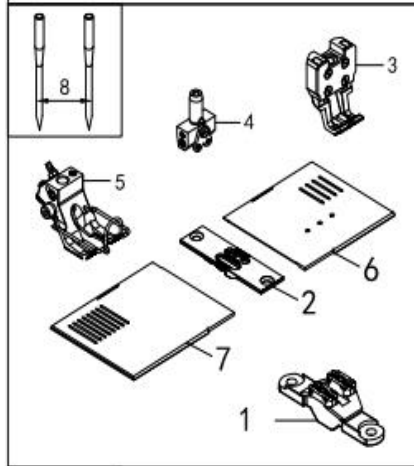
21. Accessory box



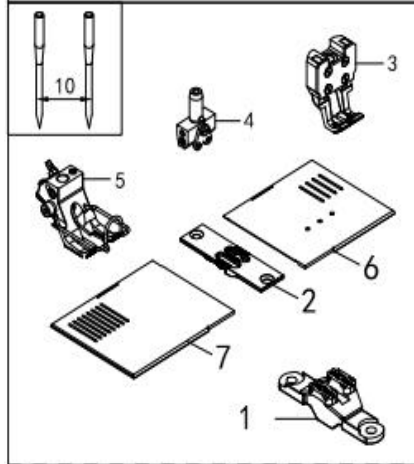
S/N	Part number	Description	Number
1	TN 021701	AIR SUPPLY SYSTEM	1
2	TN 021723	MOUNTING PLATE	-1
3	TN 021703	WOOD SCREW	-2
4	TN 021704	SCREW	-2
5	TN 021705	AIR SOURCE CONTROL AND FILTER	-1
6	TN SCP8-01	NIPPLE	-1
7	TN SPL6-01	NIPPLE	-1
8	TN WP0621016SH	WASHER	-2
9	TN LM6	NUT	-2
10	TN 021904	OIL POT	1
11	TN 021905	OILER	1
12	TN 021902A	SLOTTED SCREWDRIVER	1
13	TN 082014	CROSS SCREWDRIVER	1
14	TN 082028	BOBBIN WINDER NEEDLE ASM.	1
15	TN JZ17H21A	SYNCHRONISM NEEDLE	-4
16	TN 080855	BOBBIN WINDER	-4
17	TN 081741	HP KNEE LIFTER ASM.	1
18	TN 081749	HP INSTALLING ASM.	-1
19	TN 080786	CLAMP PLATE	(-1)
20	TN LS8N40	SELF-TAPPING SCREW	(-1)
21	TN PD10H2	FLAT PAD	(-1)
22	TN 081750	HP STOPPER ASM.	-1
23	TN 080785	STEEL FRAME	(-1)
24	TN 081742	HP SWITCH ASM.	(-1)
25	TN 0667 145354	OIL TANK ASM.	1
26	TN 0667 145354A	OIL TANK	-1
27	TN 0688 380140	FELT	-1
28	TN 0688 380120	FELT FIXED PLATE	-1
29	TN 9202 002077	SCREW	-2
30	TN 9206 100637	SCREW	6
31	TN 22930358	THREAD STAND ASM.	1
32	TN 082030	HINGE COVER ASM.	1
33	TN 082031	TOOL ASM.	1
34	TN 081525	THREAD TENSION CLAMP	-1
35	TN 082006	LOCKING PIN	-1
36	TN 021918	HEXAGON 2.5	-1
37	TN 082037	HEXAGON	-1
38	TN 021941	HEXAGON 2.0	-1
39	TN 021902C	SCREWDRIVER	-1
40	TN 021902B	SCREWDRIVER	-1
41	TN 021401	THREAD STAND ASM.	1



Number	Part number	Description
1	TN P10E06E	FEED DOG
2	TN P10E06D	NEEDLE PLATE
3	TN 1760E306A	INNER PRESSER FOOT ASM.
4	TN 1760E306C	NEEDLE BAR ASM.
5	TN 1760E306B-Q	EXTERNAL PRESSER FOOT ASM.
6	TN P10E06F	BED SLIDE (RIGHT) A
7	TN P10E06G	BED SLIDE (LEFT) A



1	TN P10E08E	FEED DOG
2	TN P10E08D	NEEDLE PLATE
3	TN 1760E308A	INNER PRESSER FOOT ASM.
4	TN 1760E308C	NEEDLE BAR ASM.
5	TN 1760E308B-Q	EXTERNAL PRESSER FOOT ASM.
6	TN P10E08F	BED SLIDE (RIGHT) A
7	TN P10E08G	BED SLIDE (LEFT) A



1	TN P10E10E	FEED DOG
2	TN P10E10D	NEEDLE PLATE
3	TN 1760E310A	INNER PRESSER FOOT ASM.
4	TN 1760E310C	NEEDLE BAR ASM.
5	TN 1760E310B-Q	EXTERNAL PRESSER FOOT ASM.
6	TN P10E10F	BED SLIDE (RIGHT) A
7	TN P10E10G	BED SLIDE (LEFT) A