

TEXI O NEO

Electronic buttonhole sewing machine

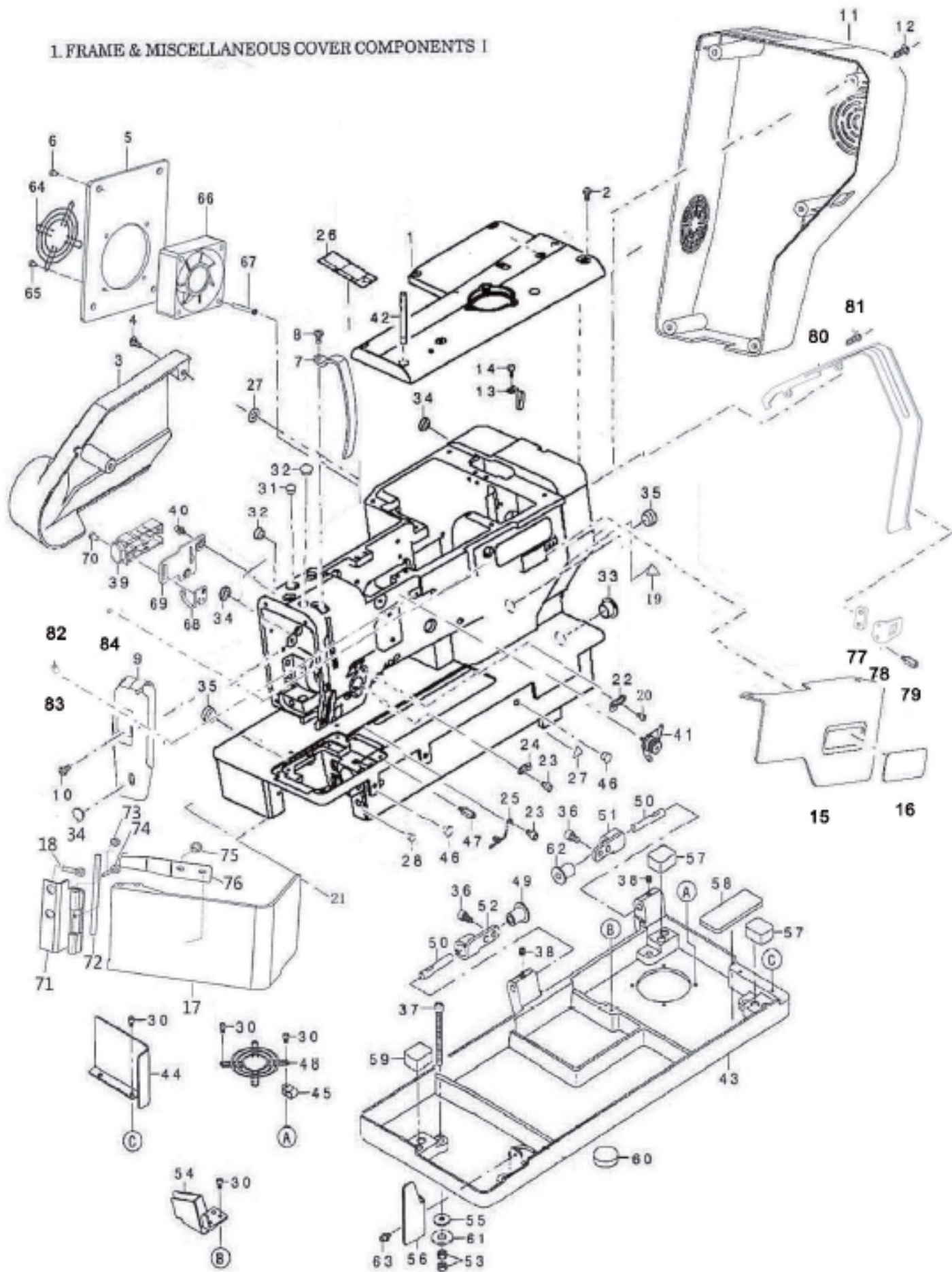
Parts book



CONTENTS

| | |
|--|----|
| 1. FRAME & MISCELLANEOUS COVER COMPONENTS I | 01 |
| 2. FRAME & MISCELLANEOUS COVER COMPONENTS II | 04 |
| 3. MAIN SHAFT COMPONENTS..... | 07 |
| 4. HOOK DRIVING SHAFT COMPONENTS..... | 10 |
| 5. PRESSER& FEED COMPONENTS..... | 12 |
| 6. NEEDLE BAR ROCKING COMPONENTS..... | 15 |
| 7. NEEDLE THREAD TRIMMER COMPONENTS..... | 17 |
| 8. BOBBIN THREAD TRIMMER COMPONENTS..... | 20 |
| 9. CLOTH CUTTING KNIFE COMPONENTS..... | 23 |
| 10. ACCESSORIE PART COMPONENTS..... | 25 |
| 11. THREAD STAND COMPONENTS..... | 27 |
| 12. CONTROL BOX COMPONENTS..... | 28 |

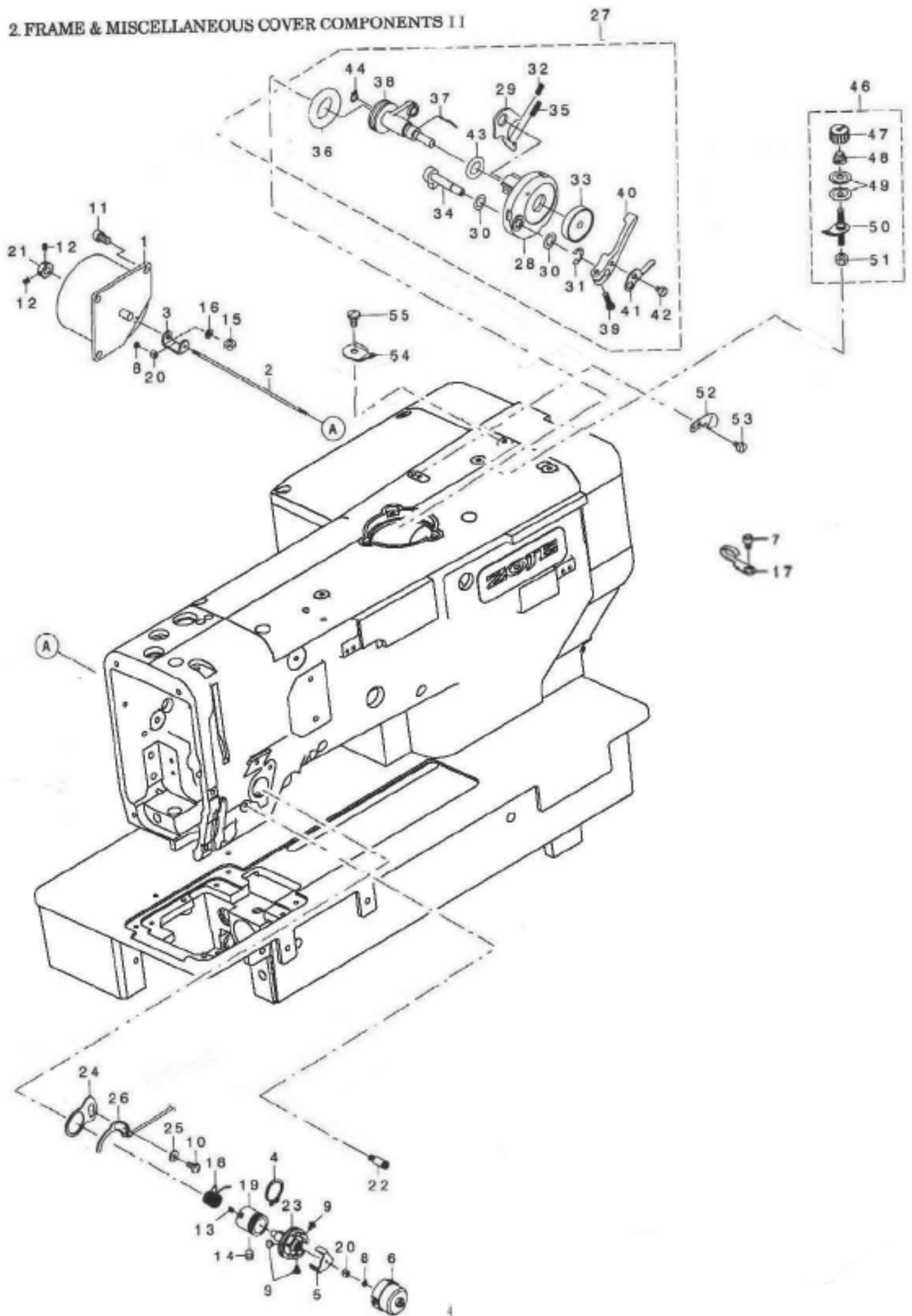
1. FRAME & MISCELLANEOUS COVER COMPONENTS I



| FRAME&MISCELLANEOUS COVER COMPONENTS I | | | | |
|--|----------|--|--------------------------------------|---|
| NO. | Part No. | | Description | |
| 1 | 20025842 | | UPPER COVER | 1 |
| 2 | 10003883 | | SCREW | 6 |
| 3 | 20025843 | | LEFT COVER | 1 |
| 4 | 10003883 | | SCREW | 2 |
| 5 | 20003383 | | LEFT COVER B | 1 |
| 6 | 10003883 | | SCREW | 4 |
| 7 | 20025840 | | THREAD TAKE UP LEVER COVER | 1 |
| 8 | 10003883 | | SCREW | 1 |
| 9 | 20025839 | | FRONT COVER | 1 |
| 10 | 10003883 | | SCREW | 3 |
| 11 | 20025844 | | MOTER COVER | 1 |
| 12 | 10003827 | | SCREW M5 L=16 | 4 |
| 13 | 10003446 | | CABLE CLAMP | 1 |
| 14 | 10003399 | | SCREW M4 L=10 | 1 |
| 15 | 10065185 | | LUMINOUS LOGO CIRCUIT BOARD ASSEMBLY | 1 |
| 16 | | | LUMINOUS LOGO | 1 |
| 17 | 20003432 | | HOOK OIL SHIELD COVER COMPL. | 1 |
| 18 | 10003881 | | HEXAGON SOCKET HEAD SCREW M5*6 | 2 |
| 19 | 10005987 | | GROUNDING SYMBOL | 1 |
| 20 | 10003399 | | SCREW M4 L=6 | 1 |
| 21 | 10003359 | | THREAD GUIDE TROUGH | 1 |
| 22 | 10003419 | | TAKE-UP THREAD GUIDE A | 1 |
| 23 | 10003396 | | SCREW M5 L=8 | 2 |
| 24 | 10003423 | | TAKE-UP THREAD GUIDE B | 1 |
| 25 | 10003873 | | NEEDLE BAR THREAD GUIDE | 1 |
| 26 | 10008936 | | SAFETY LABEL 12 | 1 |
| 27 | 10003353 | | CLOTH PLATE WASHER | 1 |
| 28 | 10003426 | | RUBBER PLUG | 1 |
| 29 | 10000091 | | PLUG D=7.5 L=3.5 | 2 |
| 30 | 10003399 | | SCREW M4 L=6 | 6 |
| 31 | 10011136 | | RUBBER PLUG | 1 |
| 32 | 10011099 | | RUBBER PLUG | 2 |
| 33 | 10003880 | | RUBBER PLUG | 1 |
| 34 | 10011099 | | RUBBER PLUG D=12.5 L=4 | 3 |
| 35 | 10003871 | | RUBBER PLUG | 2 |
| 36 | 10003402 | | SCREW M6 L=10 | 4 |
| 37 | 10003832 | | HEXAGON BOLT | 4 |
| 38 | 10011232 | | SCREW M6 L=6 | 2 |
| 39 | 10003870 | | SWITCH ASM. | 1 |
| 40 | 10003875 | | SCREW | 2 |
| 41 | 10000131 | | PRE TENSION CONTROLLER ASM. | 1 |
| 42 | 10000167 | | THREAD GUIDE BAR | 1 |
| 43 | 10003878 | | BED BASE | 1 |
| 44 | 20003381 | | BED REAR COVER | 1 |
| 45 | 10003358 | | CABLE CLAMP | 1 |
| 46 | 10000405 | | RUBBER PLUG | 2 |

| | | | | |
|----|----------|--|-----------------------------------|---|
| 47 | 10003413 | | VCS STUD A | 1 |
| 48 | 10003397 | | FAN SHELTER ASM | 1 |
| 49 | 10003347 | | HINGE BUSH | 1 |
| 50 | 10003884 | | HINGE PIN | 2 |
| 51 | 10003443 | | HINGE PLATE A | 1 |
| 52 | 10003831 | | HINGE PLATE B | 1 |
| 53 | 10005504 | | NUT M6 | 8 |
| 54 | 10003888 | | SAFETY SWITCH COVER | 1 |
| 55 | 10003395 | | WASHER 6.1X18.5X2 | 4 |
| 56 | 10003453 | | OIL SHIELD | 1 |
| 57 | 10003415 | | RUBBER A | 2 |
| 58 | 10003829 | | CUSHION | 1 |
| 59 | 10003415 | | RUBBER | 1 |
| 60 | 10003451 | | Z STOPPER RUBBER | 1 |
| 61 | 10003357 | | RUBBER CUSHION(B) | 4 |
| 62 | 10003350 | | RUBBER HINGE | 1 |
| 63 | 10003875 | | SCREW | 1 |
| 64 | 10025134 | | SHELTER CLAD | 1 |
| 65 | 10003875 | | SCREW | 2 |
| 66 | 10025133 | | FAN ASM | 1 |
| 67 | 10003444 | | FAN SCREW ASM | 2 |
| 68 | 10053703 | | SWITCH GUARD | 1 |
| 69 | 10003454 | | SWITCH BASE | 1 |
| 70 | 10013852 | | SCREW | 1 |
| 71 | 10003418 | | FRONT COVER MOUNTING PLATE | 1 |
| 72 | 10003355 | | FRONT COVER PLATE PIN OF BOTTOM F | 1 |
| 73 | 10003887 | | NUT M3 | 1 |
| 74 | 10003874 | | SCREW M3 L=14 | 1 |
| 75 | 10003398 | | SCREW | 1 |
| 76 | 10003828 | | BOTTOM PLATE FRONT COVER SPRING F | 1 |
| 77 | 10068355 | | POWER SUPPLY MOUNTING PLATE PAD | 1 |
| 78 | 10057431 | | POWER SWITCH MOUNTING SEAT | 1 |
| 79 | 10068969 | | POWER SUPPLY MOUNTING PLATE SCREW | 2 |
| 80 | 10067093 | | REAR TRIM PANEL | 1 |
| 81 | 10003399 | | REAR TRIM PANEL SCREWS | 3 |
| 82 | 10042402 | | CARD BUCKLE | 2 |
| 83 | 10053628 | | CARD BUCKLE SCREWS | 4 |
| 84 | | | CIRCUIT BOARD PLUG | 1 |

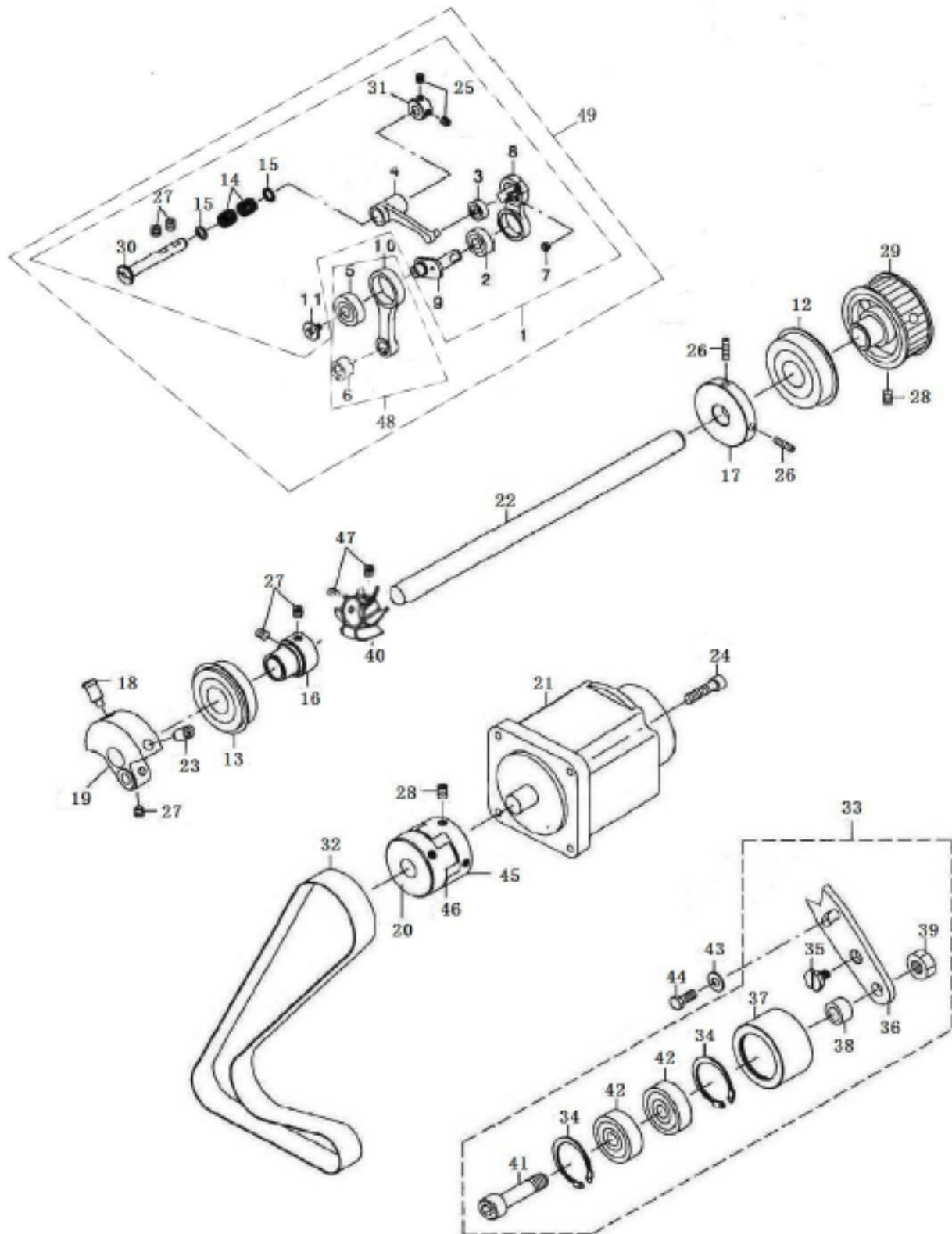
2. FRAME & MISCELLANEOUS COVER COMPONENTS 11



| FRAME&MISCELLANEOUS COVER COMPONENTS II | | | | |
|---|----------|--|------------------------------|---|
| NO. | Part No. | | Description | |
| 1 | 10000650 | | ASSY_AT_SOLENOID | 1 |
| 2 | 10000742 | | AT SHAFT | 1 |
| 3 | 10000651 | | AT SHAFT HOLDER | 1 |
| 4 | 10050674 | | RETAINING RING | 1 |
| 5 | 10000755 | | DISK STOPPER | 1 |
| 6 | 10000756 | | DISK STOPPER HOLDER CAP | 1 |
| 7 | 10003399 | | SCREW M4 L=6 | 4 |
| 8 | 10000754 | | NUT | 2 |
| 9 | 10000743 | | SCREW | 3 |
| 10 | 10000731 | | SCREW M4 L=8 | 1 |
| 11 | 10005490 | | SCREW M L=10 | 3 |
| 12 | 10013019 | | SCREW | 2 |
| 13 | 10000746 | | SCREW M3 L=4 | 1 |
| 14 | 10011232 | | SCREW M6 L=6 | 1 |
| 15 | 10009471 | | NUT | 1 |
| 16 | 10005415 | | SPRING WASHER | 1 |
| 17 | 10001122 | | LUBRICATING OIL WICK STOPPER | 4 |
| 18 | 10000069 | | TAKE-UP SPRING | 1 |
| 19 | 10000749 | | THREAD TENSION POST BASE | 1 |
| 20 | 10000753 | | THREAD TENSION SHAFT COLLAR | 2 |
| 21 | 10000732 | | THRUST COLLAR | 1 |
| 22 | 10007123 | | UTT SUSPENSION SCREW 9 | 1 |
| 23 | 10000766 | | ASSY_THREAD_TENSION_POST | 1 |
| 24 | 10000741 | | GUIDE PLATE | 1 |
| 25 | 10000752 | | BUSHING | 1 |
| 26 | 10000758 | | THREAD BREAK DETECTOR A | 1 |
| 27 | 10056117 | | ASSY_BOBBIN_THREAD_WINDER | 1 |
| 28 | 10011096 | | BOBBIN FITTING BASIS COMPL. | 1 |
| 29 | 10004497 | | ADJUSTING PLATE | 1 |
| 30 | 10004486 | | VERTICAL ROLLER WASHER | 2 |
| 31 | 10013038 | | E-RING | 1 |
| 32 | 10004494 | | PRESSER FOOT SPRING | 1 |
| 33 | 10000822 | | BOBBIN CUSHION | 1 |
| 34 | 10006151 | | BOBBIN CAM SHAFT COMPLE. | 1 |
| 35 | 10004501 | | SPRING | 1 |
| 36 | 10008773 | | BTW RUBBER RING | 1 |
| 37 | 10009937 | | LATCH SPRING | 1 |
| 38 | 10000823 | | ASSY_BTW_SHAFT | 1 |
| 39 | 10000735 | | SCREW 9/64 -40 L=13.5 | 1 |
| 40 | 10000736 | | BOBBIN LEVER | 1 |
| 41 | 10000737 | | BOBBIN ADJUSTING PLATE | 1 |
| 42 | 10000759 | | SCREW 9/64 -40 L=5.0 | 1 |
| 43 | 10004485 | | RUBBER RING | 1 |
| 44 | 10006142 | | RETAINING RING | 1 |
| 45 | 10011101 | | SCREW 11/64X40 L=11 | 3 |
| 46 | 10003088 | | BOBBIN THREAD TENSION ASM. | 1 |

| | | | | |
|----|----------|--|--------------------------------|---|
| 47 | 10004503 | | THREAD TENSION NUT | 1 |
| 48 | 10004391 | | THREAD TENSION SPRING | 1 |
| 49 | 10004393 | | BOBBIN WINDER TENSION DISC | 2 |
| 50 | 10003089 | | BOBBIN THREAD TENSION ROD ASM. | 1 |
| 51 | 10004507 | | NUT 11/64-40 | 1 |
| 52 | 10011149 | | THREAD CUTTER | 1 |
| 53 | 10000164 | | SCREW 1/8-44 L=2.9 | 2 |
| 54 | 10000733 | | THREAD GUIDE | 1 |
| 55 | 10010668 | | SCREW 11/64-40 L=7.8 | 1 |

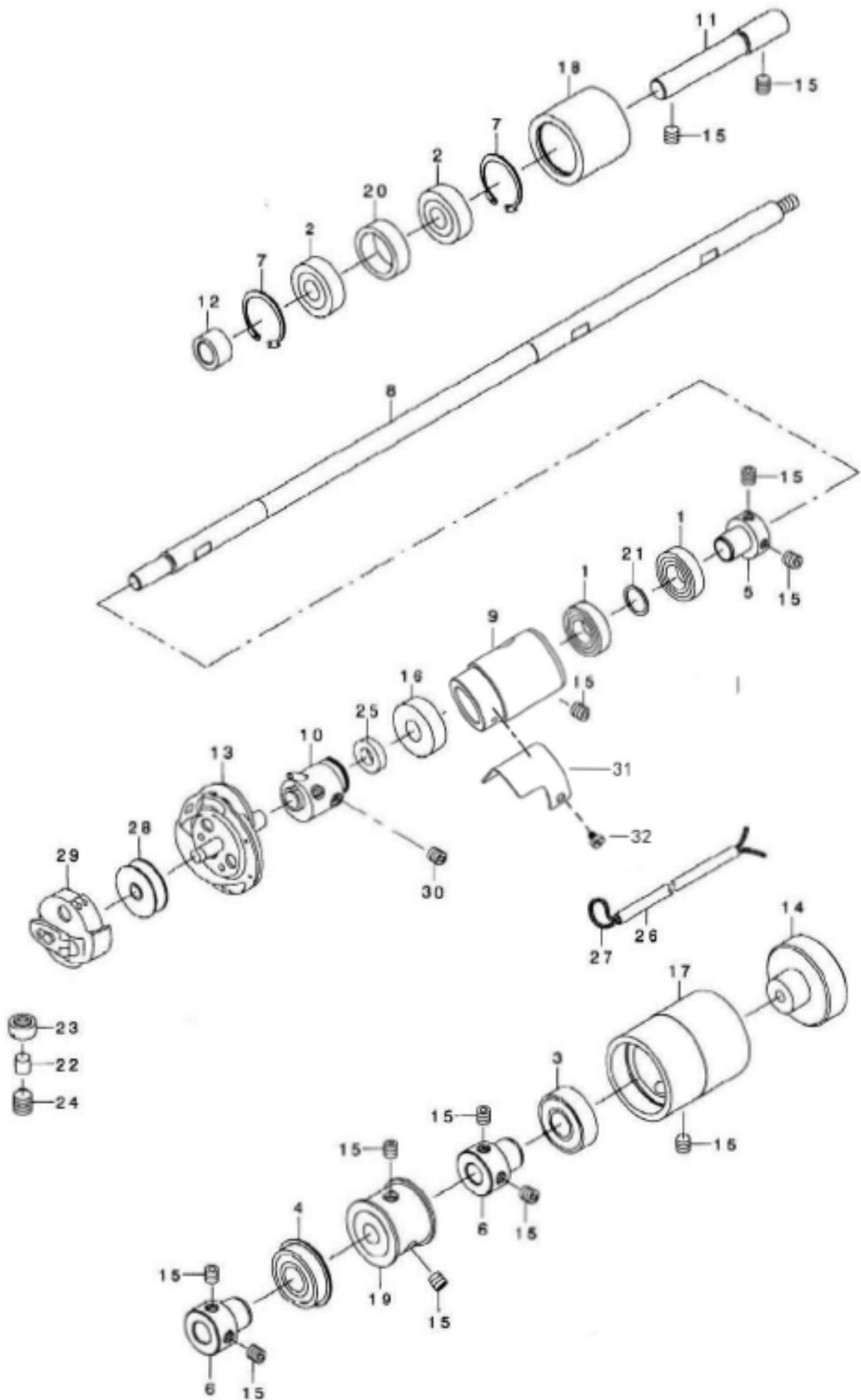
3. MAIN SHAFT COMPONENTS



| MAIN SHAFT&THREAD COMPONENTS | | | | |
|------------------------------|----------|--|------------------------------|---|
| NO. | Part No. | | Description | |
| 1 | 10053752 | | THREAD TAKE UP ASM. | 1 |
| 2 | 10009777 | | BEARING | 1 |
| 3 | 10003552 | | BEARING | 1 |
| 4 | 10000844 | | THREAD TAKE UP CRANK | 1 |
| 5 | 10014511 | | BUSHING | 1 |
| 6 | 10052926 | | BUSH | 1 |
| 7 | 10004161 | | THREAD PASS BUSH | 1 |
| 8 | 10000856 | | LINK TAKE UP | 1 |
| 9 | 10000846 | | NEEDLE BAR CRANK | 1 |
| 10 | 10000857 | | NEEDLE BAR CRANK ROD | 1 |
| 11 | 10010537 | | LEFT SCREW | 1 |
| 12 | 10025862 | | BEARING | 1 |
| 13 | 10025881 | | BEARING | 1 |
| 14 | 10005747 | | BEARING | 2 |
| 15 | 10005786 | | BEARING SUPPORT | 2 |
| 16 | 10000839 | | BEARING HOLDER | 1 |
| 17 | 10013112 | | BOBBIN WINDER DRIVING WHEEL | 1 |
| 18 | 10000862 | | COUNTER WEIGHT SCREW | 1 |
| 19 | 10000861 | | COUNTER WEIGHT | 1 |
| 20 | 10000868 | | COUPLING | 1 |
| 21 | 10053759 | | AC SERVO MOTOR | 1 |
| 22 | 10000841 | | MAIN SHAFT | 1 |
| 23 | 10000831 | | SCREW M8 L=16 | 1 |
| 24 | 10000860 | | SCREW M5 L=20 | 4 |
| 25 | 10012162 | | SCREW M5 L=5 | 2 |
| 26 | 10012062 | | SCREW 11/64-40 L=6 | 2 |
| 27 | 10011232 | | SCREW M6 L=6 | 6 |
| 28 | 10000314 | | SCREW M6 L=8 | 6 |
| 29 | 10000779 | | SPROCKET A | 1 |
| 30 | 10000855 | | THREAD TAKE UP CRANK SHAFT | 1 |
| 31 | 10000845 | | THRUST COLLAR D=7 W=8 | 1 |
| 32 | 10000842 | | TIMING BELT | 1 |
| 33 | 20000359 | | IDLER ASM. | 1 |
| 34 | 10003239 | | RETAINING RING | 2 |
| 35 | 10000835 | | HINGE SCREW | 1 |
| 36 | 10000877 | | IDLER FIXED PLATE | 1 |
| 37 | 10000875 | | IDLER PULLEY | 1 |
| 38 | 10000899 | | INTERMEDIATE SPROCKET WASHER | 1 |
| 39 | 10000876 | | NUT M10 | 1 |
| 40 | 10049817 | | UPPER SHAFT FAN | 1 |
| 41 | 10000874 | | SCREW M10 L=42.5 | 1 |
| 42 | 10003594 | | BALL BEARING | 2 |
| 43 | 10000836 | | WASHER | 1 |
| 44 | 10000865 | | SCREW M6 L=14 | 1 |
| 45 | 10000838 | | COUPLING | 1 |
| 46 | 10011227 | | RUBBER COUPLING | 1 |

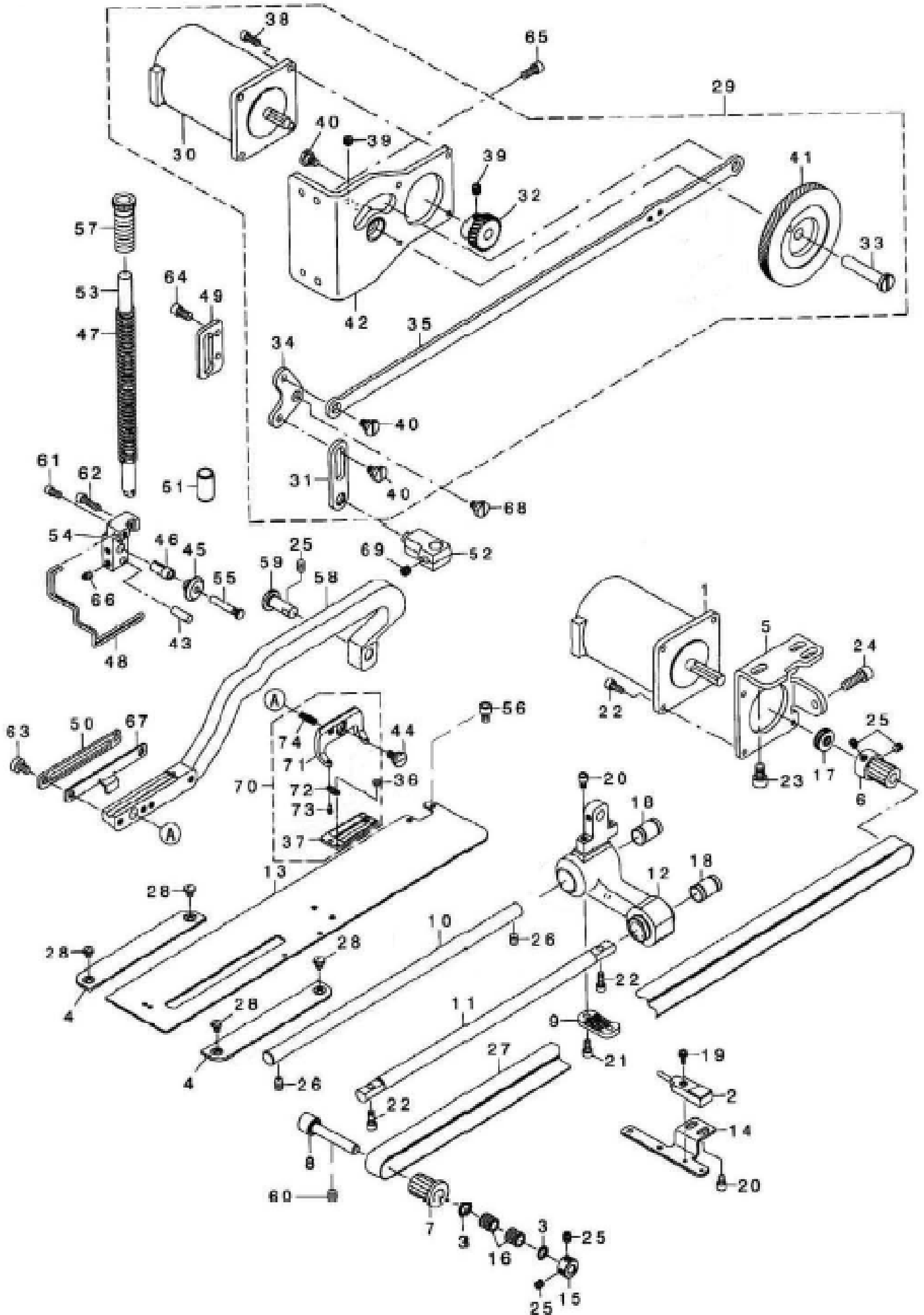
| | | | | |
|----|----------|--|--------------------------------|---|
| 47 | 10009074 | | SCREW M4 L=4 | 2 |
| 48 | 10052927 | | NEEDLE CONNECTING ROD ASSEMBLY | 1 |
| 49 | 10060510 | | THREAD TAKE UP ASM. | 1 |

4. HOOK DRIVING SHAFT COMPONENTS



| HOOK DRIVING SHAFT COMPONENTS | | | | |
|-------------------------------|----------|--|------------------------------|----|
| NO. | Part No. | | Description | |
| 1 | 10007410 | | BEARING | 2 |
| 2 | 10003544 | | BALL BEARING | 2 |
| 3 | 10003581 | | BEARING | 1 |
| 4 | 10003600 | | BEARING | 1 |
| 5 | 10000897 | | BEARING_SUPPORT | 1 |
| 6 | 10000891 | | BUSH | 2 |
| 7 | 10000929 | | RETAINING RING | 2 |
| 8 | 10000892 | | HOOK_DRIVING_SHAFT | 1 |
| 9 | 10000895 | | HOOK_DRIVING_SHAFT_METAL | 1 |
| 10 | 10000902 | | HOOK SLEEVE ASM. | 1 |
| 11 | 10000898 | | INTERMEDIATE SPROCKET SHAFT | 1 |
| 12 | 10000899 | | INTERMEDIATE SPROCKET WASHER | 1 |
| 13 | 10033423 | | HOOK COMPL. | 1 |
| 14 | 10000775 | | CROWN KNOB | 1 |
| 15 | 10011232 | | SCREW M6 L=6 | 12 |
| 16 | 10000883 | | FELT | 1 |
| 17 | 10000893 | | BEARING SUPPORT | 1 |
| 18 | 10000900 | | SPROCKET_B | 1 |
| 19 | 10000774 | | SPROCKET_C | 1 |
| 20 | 10000901 | | INTERMEDIATE SPROCKET RING | 1 |
| 21 | 10000896 | | WASHER | 1 |
| 22 | 10000887 | | ADJUSTING SHAFT | 1 |
| 23 | 10000885 | | ADJUSTING_NUT | 1 |
| 24 | 10000884 | | SCREW M8X8 | 1 |
| 25 | 10000882 | | FELT | 1 |
| 26 | 10007800 | | TUBE | 1 |
| 27 | 10008069 | | OIL WICK | 1 |
| 28 | 10000880 | | BOBBIN | 1 |
| 29 | 10006759 | | BOBBIN CASE ASM. | 1 |
| 30 | 10000881 | | SCREW | 4 |
| 31 | 10061650 | | OIL BAFFLE PLATE | 1 |
| 32 | 10009529 | | SCREW M3X3.8 | 1 |

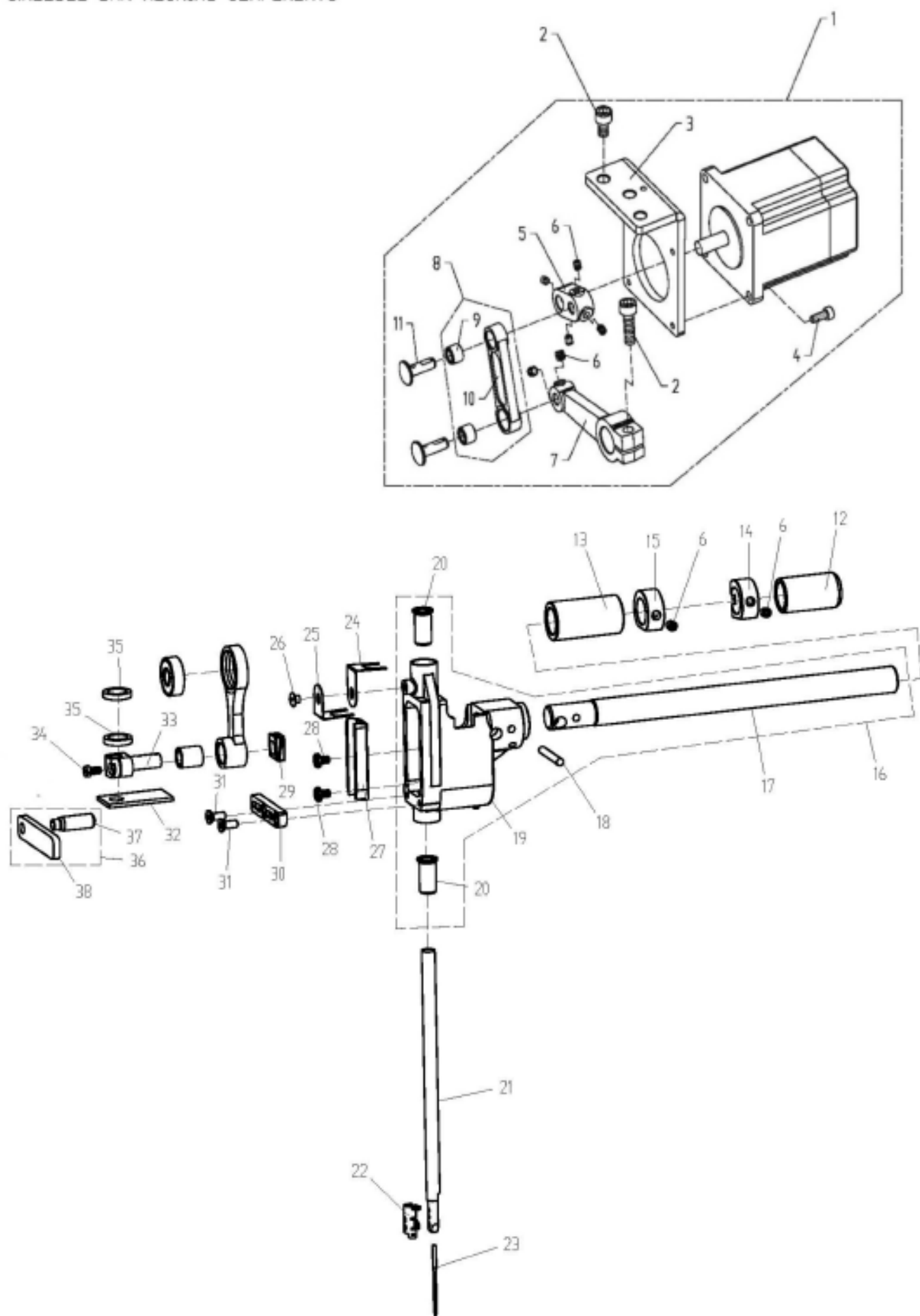
5. PRESSER & FEED COMPONENTS



| PRESSER & FEED COMPONENTS | | | | |
|---------------------------|----------|--|-------------------------|---|
| NO. | Part No. | | Description | |
| 1 | 10000796 | | FEED MOTOR ASS'Y | 1 |
| 2 | 10049543 | | FEED SENSOR ASS'Y | 1 |
| 3 | 10000004 | | BEARING SUPPORT | 2 |
| 4 | 10000005 | | THROAT PLATE BASE COVER | 2 |
| 5 | 10000955 | | MOTOR BRACKET | 1 |
| 6 | 10000970 | | PULLEY_B | 1 |
| 7 | 10000056 | | PULLEY_C | 1 |
| 8 | 10000003 | | SUPPORT_SHAFT | 1 |
| 9 | 10000067 | | TIMING BELT HOLDER | 1 |
| 10 | 10000000 | | FEED_SHAFT | 1 |
| 11 | 10000066 | | FEED_GUIDE_SHAFT | 1 |
| 12 | 10000945 | | FEED_BASE | 1 |
| 13 | 10000020 | | WORK_CLAMP_CARRIER | 1 |
| 14 | 10000957 | | SENSOR_PLATE | 1 |
| 15 | 10000002 | | THRUST COLLAR D=7 W=8 | 1 |
| 16 | 10005747 | | BEARING | 2 |
| 17 | 10000007 | | BEARING | 1 |
| 18 | 10003681 | | BEARING | 2 |
| 19 | 10000984 | | SCREW M3X10 | 1 |
| 20 | 10003399 | | SCREW M4 L=6 | 4 |
| 21 | 10003399 | | SCREW M4 L=8 | 2 |
| 22 | 10000342 | | SCREW M4 L=10 | 6 |
| 23 | 10003402 | | SCREW M6 L=10 | 3 |
| 24 | 10010735 | | SCREW M6 L=18 | 1 |
| 25 | 10012162 | | SCREW M5 L=5 | 5 |
| 26 | 10011232 | | SCREW M6 L=6 | 2 |
| 27 | 10000001 | | TIMING BELT | 1 |
| 28 | 10000019 | | SCREW M4 L=5 | 4 |
| 29 | 20007581 | | ASSY_PBL_GEAR_MODULE | 1 |
| 30 | 10041711 | | CLAMP MOTOR ASS'Y | 1 |
| 31 | 10000795 | | PBL_FRONT_LINK | 1 |
| 32 | 10000794 | | PBL_GEAR'S | 1 |
| 33 | 10000946 | | PBL_GEAR_SHAFT | 1 |
| 34 | 10000793 | | PBL_L_LINK | 1 |
| 35 | 10000064 | | PBL_LONG_ROD | 1 |
| 36 | 10000951 | | SCREW 3/32-56 L=1.9 | 2 |
| 37 | 10000962 | | PRESSER | 1 |
| 38 | 10000863 | | SCREW M4 L=10 | 4 |
| 39 | 10000933 | | SCREW M6 L=5 | 5 |
| 40 | 10000261 | | SHOULDER SCREW D8 H3.2 | 4 |
| 41 | 10000965 | | ASSY_PBL_GEAR_L | 1 |
| 42 | 10063611 | | ASSY_PBL_MOTOR_BASE | 1 |
| 43 | 10000939 | | PIN, SHORT | 1 |
| 44 | 10000940 | | HINGE SCREW D=7.94 H=2 | 1 |
| 45 | 10000937 | | SLIDE ROLLER | 1 |
| 46 | 10000936 | | COLLAR | 1 |

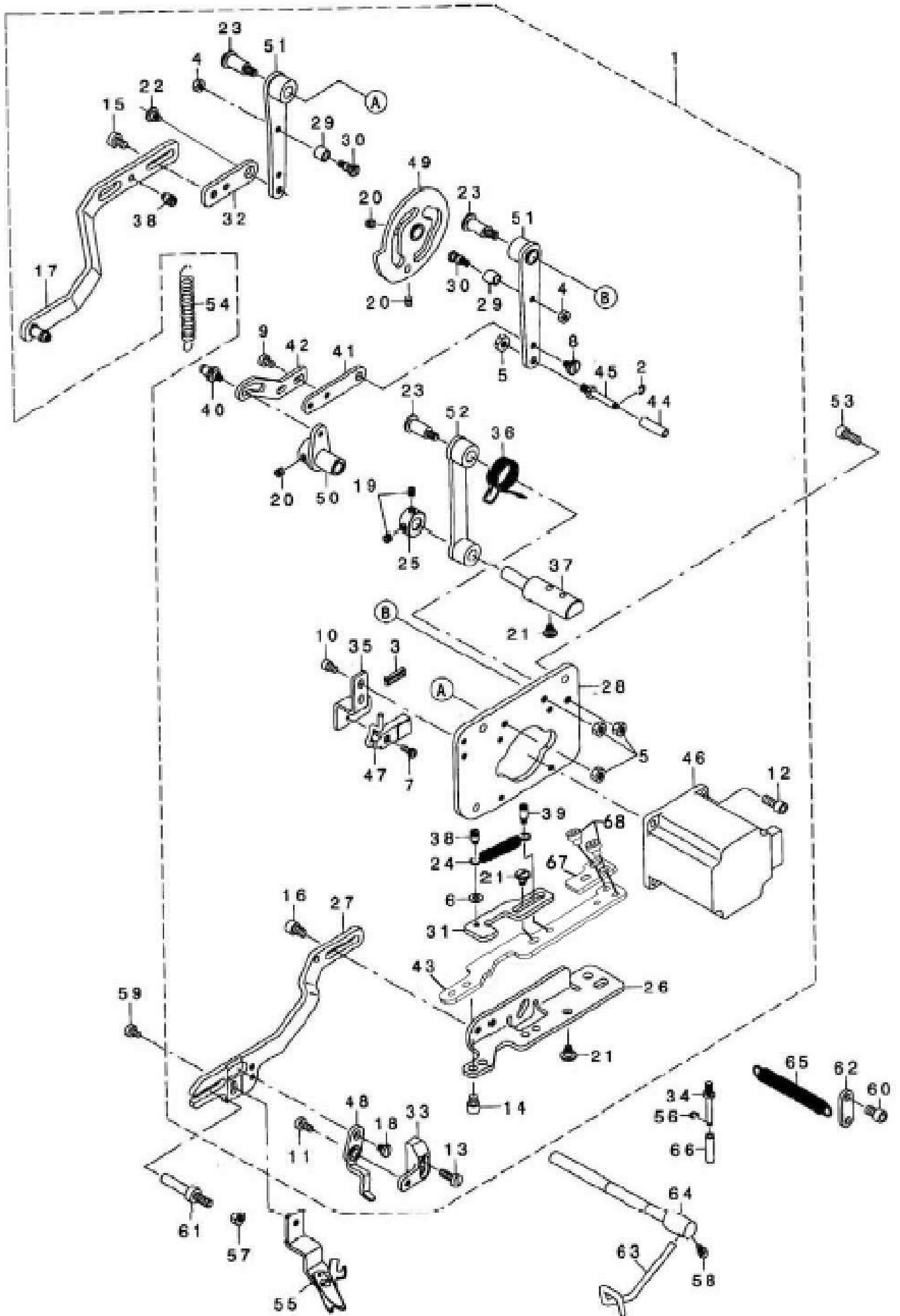
| | | | | |
|----|----------|--|--------------------------------|---|
| 47 | 10000949 | | PBL_COLL_SPRING | 1 |
| 48 | 10000950 | | PBL_FINGER_GUARD | 1 |
| 49 | 10000948 | | PLB_GUIDE | 1 |
| 50 | 10000942 | | PBL_LIFTING_PLATE | 1 |
| 51 | 10000934 | | PBL_METAL | 1 |
| 52 | 10000932 | | PBL_POSITION_BRACKET | 1 |
| 53 | 10000931 | | PBL_PRESSER_BAR | 1 |
| 54 | 10000935 | | PBL_ROLLER_BASE | 1 |
| 55 | 10000938 | | PBL_ROLLER_SHAFT | 1 |
| 56 | 10003399 | | SCREW | 2 |
| 57 | 10000930 | | PBL_SPRING_REGULATOR | 1 |
| 58 | 10000944 | | PBL_WORK_CLAMP_ARM | 1 |
| 59 | 10000065 | | PBL_WORK_CLAMP_ARM_SHAFT | 1 |
| 60 | 10009074 | | SCREW | 1 |
| 61 | 10005405 | | SCREW M4 L=9 | 1 |
| 62 | 10009103 | | SCREW M4 L=16 | 1 |
| 63 | 10002802 | | SCREW M5 L=8 | 2 |
| 64 | 10005490 | | SCREW M5 L=10 | 4 |
| 65 | 10005139 | | SCREW M5 L=12 | 4 |
| 66 | 10012162 | | SCREW M5 L=6 | 2 |
| 67 | 10000941 | | UTT_CLOSE_CAM | 1 |
| 68 | 10000261 | | SHOULDER SCREW D8 H3.2 | 1 |
| 69 | 10000933 | | SCREW M6 L=5 | 1 |
| 70 | 10004529 | | WORK_CLAMP_CHECK HOLDER | 1 |
| 71 | 10000008 | | WORK_CLAMP_CHECK HOLDER | 1 |
| 72 | 10000961 | | WORK_CLAMP_CHECK SPRING | 2 |
| 73 | 10000068 | | WORK_CLAMP_CHECK SPRING SET PI | 2 |
| 74 | 10000009 | | WORK_CLAMP_CHECK SPRING SPRING | 1 |

6.NEEDLE BAR ROCKING COMPONENTS



| NEEDLE BAR ROCKING COMPONENTS | | | | |
|-------------------------------|----------|--|--------------------------------|---|
| NO. | Part No. | | Description | |
| 1 | 20019529 | | MOTOR MOUNTING ASSY | 1 |
| 2 | 10009008 | | SCREW M6 L=16 | 4 |
| 3 | 10052936 | | MOTOR BASE | 1 |
| 4 | 10000863 | | SCREW M4 L=12 | 4 |
| 5 | 10052932 | | MOTOR LEVER | 1 |
| 6 | 10012162 | | SCREW M5 L=5 | 6 |
| 7 | 10000059 | | ZIGZAG LEVER REAR | 1 |
| 8 | 10000996 | | ZIGZAG ROD ASM | 1 |
| 9 | 10000983 | | SHAFT HOLDER LINK BUSH | 2 |
| 10 | 10000997 | | ZIGZAG ROD | 1 |
| 11 | 10000981 | | JUNCTION SHAFT A | 2 |
| 12 | 10000991 | | BUSHING REAR | 1 |
| 13 | 10060583 | | BUSHING | 1 |
| 14 | 10060584 | | THRUST COLLAR D15 W11 | 1 |
| 15 | 10040233 | | SCREW M6 L=6 | 2 |
| 16 | 10060588 | | NEEDLE BAR FRAME ASSY | 1 |
| 17 | 10052930 | | BALANCE SHAFT | 1 |
| 18 | 10061373 | | PIN | 1 |
| 19 | 10060589 | | NEEDLE BAR FRAME | 1 |
| 20 | 10000982 | | NEEDLE BAR METAL | 1 |
| 21 | 10000953 | | NEEDLE BAR | 1 |
| 22 | 10000952 | | NEEDLE BAR BOBBIN THREAD GUIDE | 1 |
| 23 | 10002447 | | NEEDLE DPX5 #11 | 1 |
| 24 | 10060582 | | ROOFING PLATE | 1 |
| 25 | 10005197 | | ROOFING PLATE | 1 |
| 26 | 10005050 | | SCREW M4 L=4 | 1 |
| 27 | 10005263 | | NEEDLE ROD SLIDE BLOCK | 1 |
| 28 | 10005379 | | SCREW M4 L=4.5 | 2 |
| 29 | 10005326 | | NEEDLE BAR CONNECTION SLIDE | 1 |
| 30 | 10060581 | | NEEDLE BAR FRONT FIXING PLATE | 1 |
| 31 | 10060607 | | SCREW | 2 |
| 32 | 10060585 | | ROOF | 1 |
| 33 | 10052928 | | NEEDLE BAR CONNECTION | 1 |
| 34 | 10000973 | | SCREW | 1 |
| 35 | 10000882 | | ROOF | 1 |
| 36 | 10000998 | | MOTO PLATEN ASS | 1 |
| 37 | 10001000 | | PIN | 1 |
| 38 | 10000999 | | MOTO PLATEN | 1 |

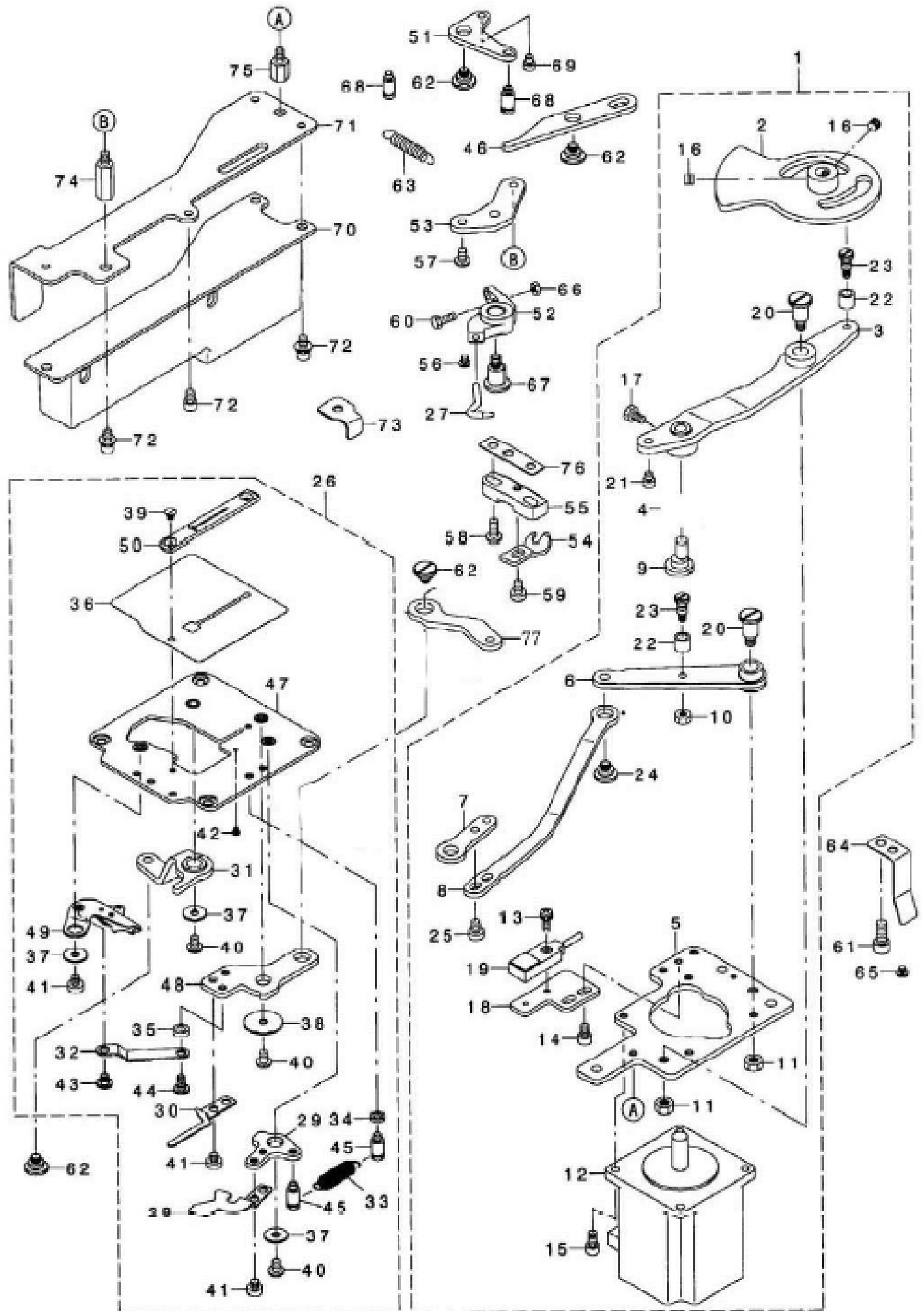
7. NEEDLE THREAD TRIMMER COMPONENTS



| NEEDLE THREAD TRIMMER COMPONENTS | | | | |
|----------------------------------|----------|--|--------------------------------|---|
| NO. | Part No. | | Description | |
| 1 | 10003215 | | ASSY UTT MODULE | 1 |
| 2 | 10003248 | | E-RING 3 | 1 |
| 3 | 10003358 | | CABLE BAND | 1 |
| 4 | 10002076 | | NUT M4 | 2 |
| 5 | 10000994 | | NUT M5 | 4 |
| 6 | 10002765 | | WASHER 4.3X9X0.8 | 1 |
| 7 | 10000984 | | SCREW ASM. | 1 |
| 8 | 10003496 | | SHOULDER SCREW D6 H2.6 | 1 |
| 9 | 10002762 | | SCREW M4 L=6 | 2 |
| 10 | 10003399 | | SCREW M4 L=6 | 2 |
| 11 | 10003298 | | SCREW M4 L=8 | 1 |
| 12 | 10003399 | | SCREW M4 L=10 | 4 |
| 13 | 10009037 | | SCREW M4 L=12 | 2 |
| 14 | 10003881 | | HEXAGON SOCKET HEAD SCREW M5X6 | 2 |
| 15 | 10002802 | | SCREW M5 L=8 | 2 |
| 16 | 10003442 | | SCREW M5 L=8 | 2 |
| 17 | 10002497 | | ASSY UTT RELEASE ARM B | 1 |
| 18 | 10003262 | | SCREW M4 L=5 | 1 |
| 19 | 10012162 | | SCREW M5 L=4 | 2 |
| 20 | 10012162 | | SCREW M5 L=5 | 4 |
| 21 | 10003256 | | SHOULDER SCREW D6 H3.2 | 4 |
| 22 | 10002755 | | SHOULDER SCREW D8 H4 | 1 |
| 23 | 10003266 | | SHOULDER SCREW D8 H15 | 3 |
| 24 | 10002767 | | SPRING | 1 |
| 25 | 10002760 | | THRUST COLLAR D8 W9 | 1 |
| 26 | 10002469 | | UTT ARM A | 1 |
| 27 | 10002766 | | UTT ARM A | 1 |
| 28 | 10003263 | | UTT BASE PLATE | 1 |
| 29 | 10000021 | | UTT CAM ROLLER | 2 |
| 30 | 10002803 | | UTT CAM ROLLER SHAFT | 2 |
| 31 | 10002531 | | UTT RATCH PLATE | 1 |
| 32 | 10002533 | | UTT RELEASE ARM A | 1 |
| 33 | 10003297 | | UTT RELEASE LEVER BASE | 1 |
| 34 | 10003222 | | UTT Y-DRIVE SHAFT | 1 |
| 35 | 10002751 | | UTT SENSOR BASE | 1 |
| 36 | 10002758 | | UTT_SUPPORT_ARM_SPRING | 1 |
| 37 | 10003226 | | UTT SUPPORT SHAFT | 1 |
| 38 | 10002764 | | UTT SUSPENSION SCREW 4 | 2 |
| 39 | 10002763 | | UTT SUSPENSION SCREW 9 | 1 |
| 40 | 10003495 | | UTT SUSPENSION SHOULDER SCREW | 1 |
| 41 | 10003441 | | UTT THREAD PULLING LINK A | 1 |
| 42 | 10003494 | | UTT THREAD PULLING LINK B | 1 |
| 43 | 10002566 | | UTT X-CAM | 1 |
| 44 | 10003223 | | UTT Y-DRIVE ROLLER | 1 |
| 45 | 10003222 | | UTT Y-DRIVE SHAFT | 1 |
| 46 | 10003215 | | UT TRIM MOTOR ASS'Y | 1 |

| | | | | |
|----|----------|--|-----------------------------|---|
| 47 | 10049545 | | UT TRIM SENSOR ASS'Y | 1 |
| 48 | 10002495 | | ASSY UTT RELEASE LEVER | 1 |
| 49 | 10002568 | | ASSY UTT CAM | 1 |
| 50 | 10002448 | | ASSY UTT THREAD PULLING ARM | 1 |
| 51 | 10002496 | | ASSY UTT CAM ARM | 1 |
| 52 | 10002498 | | ASSY UTT SUPPORT ARM | 1 |
| 53 | 10014210 | | SCREW M5 L=12 | 3 |
| 54 | 10002761 | | BUTTON SUPPORT LEVER SPRING | 1 |
| 55 | 10002450 | | ASSY UTT TRIMMER | 1 |
| 56 | 10003248 | | E-RING 3 | 1 |
| 57 | 10000994 | | NUT M5 | 1 |
| 58 | 10003399 | | SCREW M4 L=8 | 1 |
| 59 | 10002762 | | SCREW M4 L=6 | 1 |
| 60 | 10003396 | | SCREW M5 L=8 | 1 |
| 61 | 10003261 | | UTT GUIDE SHAFT | 1 |
| 62 | 10003258 | | UTT SUSPENSION PLATE | 1 |
| 63 | 10003260 | | UTT THREAD PULLING LEVER | 1 |
| 64 | 10003259 | | UTT THREAD PULLING SHAFT | 1 |
| 65 | 10003257 | | UTT TRIMMER CLOSE SPRING | 1 |
| 66 | 10003223 | | UTT Y-DRIVE ROLLER | 1 |
| 67 | 10051478 | | GUIDE PLATE | 1 |
| 68 | 10010685 | | SCREW M4 L=6 | 2 |

8. BOBBIN THREAD TRIMMER COMPONENTS

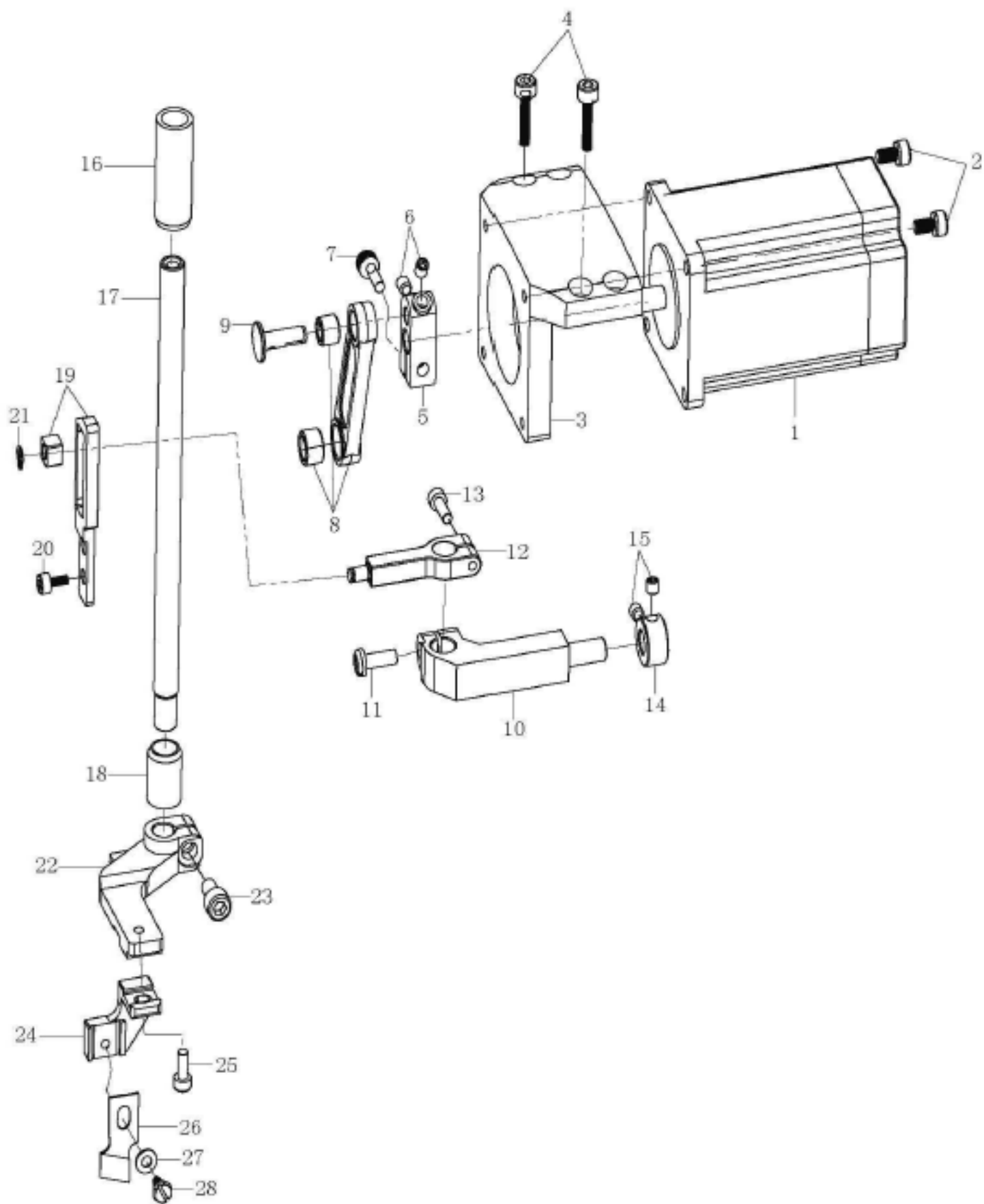


| BOBBIN THREAD TRIMMER COMPONENTS | | | | |
|----------------------------------|----------|--|-------------------------|---|
| NO. | Part No. | | Description | |
| 1 | 20007587 | | BTT_DRIVE_UNIT | 1 |
| 2 | 10001143 | | ASSY_BTT_DRIVE_CAM | 1 |
| 3 | 10001164 | | ASSY_BTT_DRIVE_LEVER | 1 |
| 4 | 10001012 | | BTT_DRIVE_LINK | 1 |
| 5 | 10001009 | | BTT_DRIVE_UNIT_BASE | 1 |
| 6 | 10008447 | | ASSY_BTT_RELEASE_LEVER | 1 |
| 7 | 10001015 | | BTT_RELEASE_LINK_F | 1 |
| 8 | 10001014 | | BTT_RELEASE_LINK_R | 1 |
| 9 | 10001024 | | LINK_ROD | 1 |
| 10 | 10002076 | | NUT_M4 | 1 |
| 11 | 10001146 | | NUT_M5 | 2 |
| 12 | 10001022 | | LT_TRIM_MOTOR_ASS'Y | 1 |
| 13 | 10000984 | | SCREW_M3_X_10 | 1 |
| 14 | 10010685 | | SCREW_M4_L=6 | 2 |
| 15 | 10001010 | | SCREW_M4_L=8 | 4 |
| 16 | 10012162 | | SCREW_M5_L=4 | 2 |
| 17 | 10001013 | | HEXAGONAL_BOLY | 1 |
| 18 | 10001021 | | SENSOR_FITTING_PLATE_BT | 1 |
| 19 | 10049546 | | LT_TRIM_SENSOR_ASS'Y | 1 |
| 20 | 10001029 | | SHOULDER_SCREW_D8_H10 | 2 |
| 21 | 10001124 | | STOPPER_PIN | 1 |
| 22 | 10000021 | | UTT_CAM_ROLLER | 2 |
| 23 | 10000919 | | UTT_CAM_ROLLER_SHAFT | 2 |
| 24 | 10001023 | | SHOULDER_SCREW_D8_H2.9 | 1 |
| 25 | 10010554 | | SCREW_M3_L=6 | 2 |
| 26 | 10025945 | | THROAT_PLATE_BASE_COMPL | 1 |
| 27 | 10003487 | | PICKER | 1 |
| 28 | 10000915 | | BT_CLAMP | 1 |
| 29 | 10000910 | | BT_CLAMP_LEVER | 1 |
| 30 | 10001120 | | BT_PULLER | 1 |
| 31 | 10001126 | | ASSY_BT_RELEASE_ARM | 1 |
| 32 | 10000022 | | BT_TRIMMER_LINK | 1 |
| 33 | 10000918 | | SPRING | 1 |
| 34 | 10000916 | | WASHER | 1 |
| 35 | 10000070 | | WASHER | 1 |
| 36 | 10001123 | | OIL_SHIELD | 1 |
| 37 | 10001017 | | PLAIN_WASHER_4.3X12X1 | 3 |
| 38 | 10001121 | | WASHER_4.5X20X1 | 1 |
| 39 | 10001145 | | SCREW_M3_L=4 | 2 |
| 40 | 10001051 | | SCREW | 3 |
| 41 | 10000041 | | SCREW_M4_L=4 | 9 |
| 42 | 10000917 | | HINGE_SCREW | 1 |
| 43 | 10000071 | | SHOULDER_SCREW_D5_H1.6 | 1 |
| 44 | 10001144 | | SHOULDER_SCREW_D5_H1.6 | 1 |
| 45 | 10001053 | | SUSPENSION_SCREW | 2 |
| 46 | 10001016 | | PICKER_ACTUATING_LEVER | 1 |

| | | | | |
|----|----------|--|-------------------------------|---|
| 47 | 10001155 | | ASSY_THROAT_PLATE_BASE | 1 |
| 48 | 10000072 | | BTT_LEVER | 1 |
| 49 | 10001127 | | ASSY_BTT_LOWER | 1 |
| 50 | 10000074 | | THROAT_PLATE(K) | 1 |
| 51 | 10001052 | | PICKER_ACTUATING_L_LINK | 1 |
| 52 | 10001028 | | PICKER_BASE | 1 |
| 53 | 10001026 | | PICKER_BASE_FITTING_PLATE | 1 |
| 54 | 10000912 | | STOPPER_A | 1 |
| 55 | 10000913 | | BOBBIN_CASE_POSITIONING_PLATE | 1 |
| 56 | 10000040 | | SCREW_M3_L=4 | 1 |
| 57 | 10001027 | | SCREW_M4_L=5 | 1 |
| 58 | 10009104 | | SCREW_M4_L=10 | 2 |
| 59 | 10010554 | | SCREW_M4_L=6 | 1 |
| 60 | 10001025 | | SCREW_M4_L=12 | 1 |
| 61 | 10001010 | | SCREW_M5_L=8 | 3 |
| 62 | 10001125 | | SHOULDER_SCREW_D8_H2.9 | 4 |
| 63 | 10000918 | | SPRING | 1 |
| 64 | 10001020 | | SAFETY_SWITCH_PRESSING_PLATE | 1 |
| 65 | 10009529 | | SCREW | 1 |
| 66 | 10002076 | | NUT_M4 | 1 |
| 67 | 10001029 | | SHOULDER_SCREW_D8_H10 | 1 |
| 68 | 10001053 | | SUSPENSION_SCREW | 2 |
| 69 | 10001018 | | STOPPER_PIN | 1 |
| 70 | 10001137 | | OIL_TANK_ASM. | 1 |
| 71 | 10000073 | | OIL_TANK_PLATE | 1 |
| 72 | 10001135 | | SCREW | 6 |
| 73 | 10000911 | | PICKER_BASE_STOPPER | 1 |
| 74 | 10000039 | | STUD | 1 |
| 75 | 10001011 | | STUD | 1 |
| 76 | 10000914 | | BTT_SPACER | 1 |
| 77 | 10001012 | | TANGENTIAL_DRIVE_PLATE | 1 |

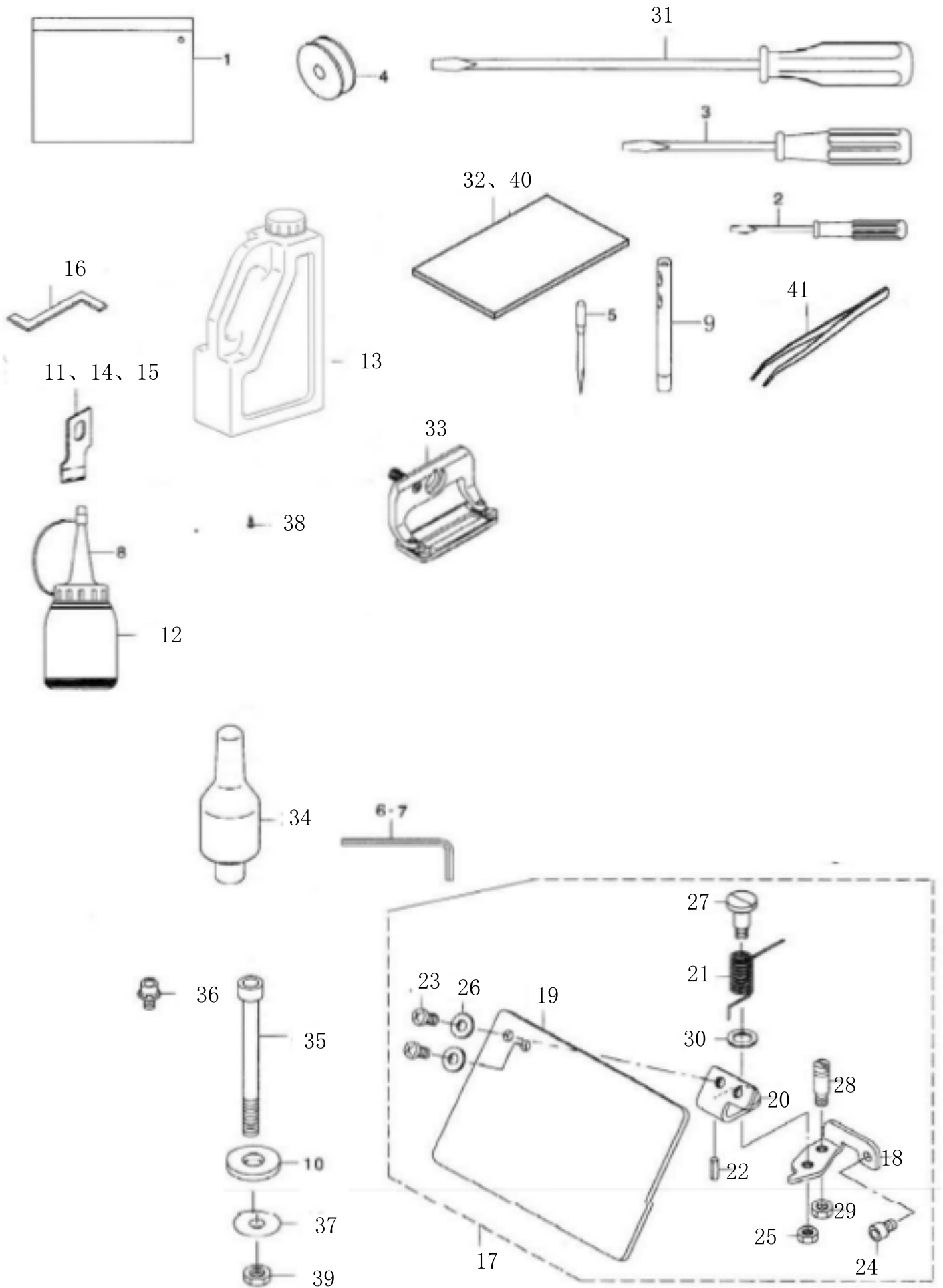
9.CLOTH CUTTING KNIFE COMPONENTS

切布刀部件



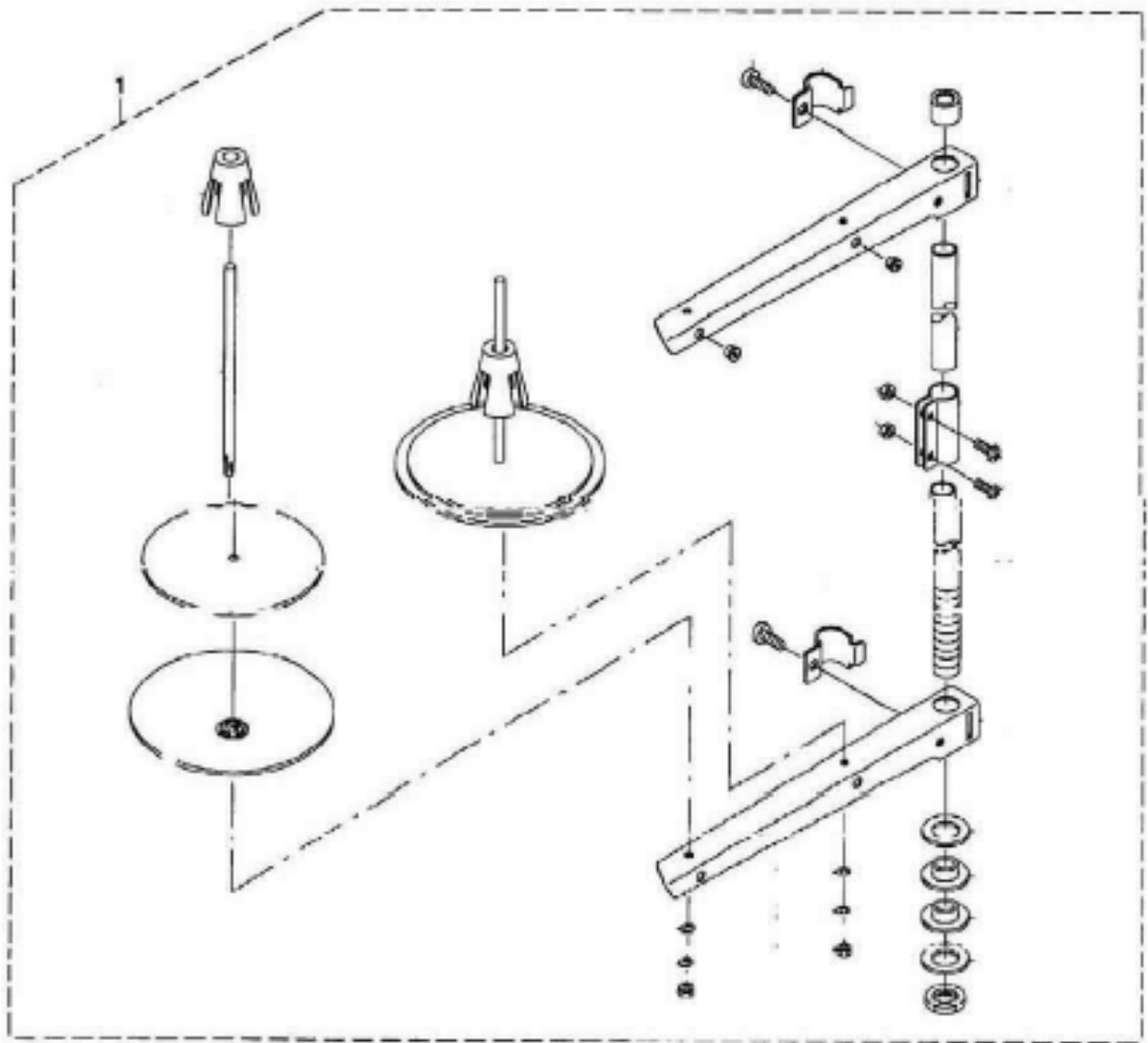
| CLOTH CUTTING KNIFE COMPONENTS | | | | |
|--------------------------------|----------|--|---------------------------------|---|
| NO. | Part No. | | Description | |
| 1 | 10041709 | | KNIFE MOTOR ASS'Y | 1 |
| 2 | 10009103 | | SCREW M4 L=16 | 4 |
| 3 | 10039445 | | MOTOR BRACKET | 1 |
| 4 | 10000860 | | SCREW M5 L=12 | 4 |
| 5 | 10039439 | | MOTOR DRIVE BLOCK | 1 |
| 6 | 10012162 | | SCREW M5 L=5 | 2 |
| 7 | 10005139 | | SCREW M5 L=12 | 1 |
| 8 | 10039441 | | CONNECTING ROD ASSEMBLY | 1 |
| 9 | 10000981 | | BELL CRANK SHAFT | 1 |
| 10 | 10039440 | | KNIFE CONNECTING SHAFT | 1 |
| 11 | 10001159 | | SCREW | 1 |
| 12 | 10051906 | | CUTTER SHAFT GUIDE POST | 1 |
| 13 | 10000863 | | SCREW M4 L=12 | 1 |
| 14 | 10002760 | | SHRINK-RING | 1 |
| 15 | 10012162 | | SCREW M=5 L=5 | 2 |
| 16 | 10001185 | | KNIFE BAR BUSH | 1 |
| 17 | 10001169 | | KNIFE BAR | 1 |
| 18 | 10001181 | | KNIFE BAR LOWER BUSHING | 1 |
| 19 | 10051994 | | RAG KNIFE GUIDE SLIDER ASSEMBLY | 1 |
| 20 | 10003399 | | SCREW M4 L=8 | 2 |
| 21 | 10009668 | | BEAD FLANGE | 1 |
| 22 | 10001180 | | KNIFE BAR BASE | 1 |
| 23 | 10011824 | | SCREW M6 L=12 | 1 |
| 24 | 10001160 | | KNIFE FITTING BASE | 1 |
| 25 | 10005139 | | SCREW | 1 |
| 26 | 10001086 | | KNIFE | 1 |
| 27 | 10002765 | | WASHER 4.3X9X0.8 | 1 |
| 28 | 10001189 | | HEXAGONAL BOLT | 1 |

10. ACCESSORIE PART COMPONENTS



| ACCESSORIES PART COMPONENTS | | | | |
|-----------------------------|----------|--|--------------------------------|---|
| NO. | Part No. | | Description | |
| 1 | 10001177 | | ACCESSORIE BAG | 1 |
| 2 | 10013185 | | SCREW DRIVER, SMALL | 1 |
| 3 | 10010995 | | SCREW DRIVER, MIDDLE | 1 |
| 4 | 10000880 | | BOBBIN | 3 |
| 5 | 10002447 | | EEEDLE DPX5 #11~#14 | 1 |
| 6 | 10009685 | | HEXAGONAL WRENCH KEY | 1 |
| 7 | 10009689 | | HEXAGONAL WRENCH KEY | 1 |
| 8 | 10006373 | | OILER CAP | 1 |
| 9 | 10000167 | | THREAD GUIDE BAR | 1 |
| 10 | 10003357 | | RUBBER CUSHION(B) | 4 |
| 11 | 10001192 | | KNIFE 1 | 1 |
| 12 | 10013294 | | OILER | 1 |
| 13 | 10004455 | | DEFRIX OIL NO. 1 (600CC) | 1 |
| 14 | 10001093 | | KNIFE 5/8 | 1 |
| 15 | 10001092 | | KNIFE 3/8 | 1 |
| 16 | 10001174 | | HOOK TIMING GAUGE, K | 1 |
| 17 | 20000415 | | ASSY SAFETY PLATE | 1 |
| 18 | 10001338 | | SAFETY PLATE FITTING BASE | 2 |
| 19 | 10011636 | | SAFETY PLATE | 1 |
| 20 | 10001339 | | SAFETY PLATE INSTALLING PLATE | 1 |
| 21 | 10011678 | | SAFETY PLATE RETURN SPRING | 1 |
| 22 | 10002880 | | SPRING PIN 2X6 | 2 |
| 23 | 10011570 | | SCREW 11/64-40 L=7 | 2 |
| 24 | 10003399 | | SCREW M4 L=6 | 1 |
| 25 | 10000100 | | NUT 11/64-40 | 2 |
| 26 | 10011680 | | WASHER 4. 5X10X0. 8 | 1 |
| 27 | 10011677 | | HINGE SCREW D=6 H=10. 2 | 1 |
| 28 | 10011633 | | TENSION SPRING RACK B | 1 |
| 29 | 10011682 | | NUT 3/16-28 | 1 |
| 30 | 10001289 | | WASHER 7. 4X10X0. 8 | 1 |
| 31 | 10010994 | | SCREW DRIVER, LARGE | 1 |
| 32 | 10050264 | | PARTS MANUAL | 1 |
| 33 | 10006197 | | WORK CLAMP CHECK HOLDER | 1 |
| 34 | 10011749 | | HEAD SUPPORT BAR | 4 |
| 35 | 10003832 | | HEXAGON BOLT | 4 |
| 36 | 10003875 | | BOLT | 1 |
| 37 | 10003395 | | WASHER 6. 1X18. 5X2 | 4 |
| 38 | 10008323 | | WOOD SCREW D=4. 8 L=20 | 2 |
| 39 | 10003078 | | NUT M6 | 8 |
| 40 | 10037832 | | ELECTRIC CONTROL SPECIFICATION | 1 |
| 41 | 10004247 | | TWEEZERS COMPONENT | 1 |

11. THREAD STAND COMPONENTS

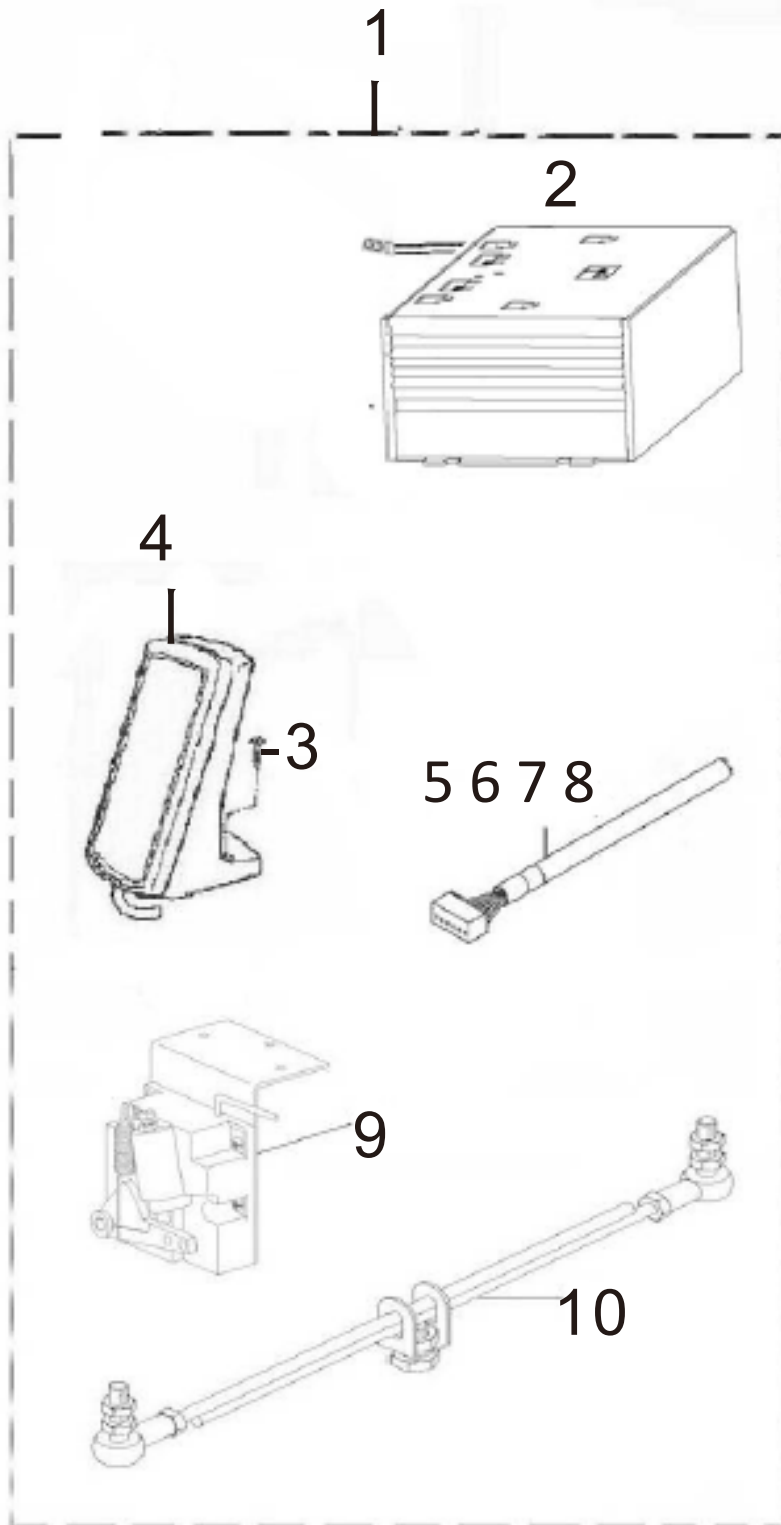


1 10007130

THREAD STAND ASM.

1

12. CONTROL BOX COMPONENTS



| 12. CONTROL BOX COMPONENTS | | | |
|----------------------------|----------|------------------------------------|------|
| NO. | Part No. | Description | Q-ty |
| 1 | 10053754 | CONTROL BOX ASSEMBLY | 1 |
| 2 | 10001298 | POWER SWITCH | 1 |
| 3 | 10008323 | SCREW | 2 |
| 4 | 10053755 | OPERATION BOX | 1 |
| 5 | 10048837 | L725 CABLE | 1 |
| 6 | 10048838 | L724-1 CABLE | 1 |
| 7 | 10025146 | L524-1 CABLE | 1 |
| 8 | 10049550 | L437 DISCONNECTION DETECTION CABLE | 1 |
| 9 | 10024990 | PEDAL UNIT ASM | 1 |
| 10 | 10024458 | PEDAL CONTROL ROD ASM | 1 |

* check the model of the machine with the supplier Different years of manufacture may have different details.

Special parts list

| Name | Item number |
|--------------------------------------|-------------|
| 9.5mm knife | 10001092 |
| 12.7mm knife | 10001086 |
| 15.9mm knife | 10001093 |
| 25.4mm knife | 10001192 |
| 5×35 Presser foot | 10006179 |
| 5×70 Presser foot | 10028680 |
| 5×100 Presser foot | 10028685 |
| K type small needle eye needle plate | 10061804 |

| Part | Standard S | Knitting K | Option L |
|-----------------------------|------------|------------|----------|
| Presser foot assembly | 10004529 | 10062461 | 10049886 |
| Needle plate | 10000074 | 10061804 | 10000074 |
| Transport plate | 10000020 | 10000020 | 10007084 |
| Presser foot lifter | 10000944 | 10000944 | 10007086 |
| Presser foot vertical guide | 10000942 | 10000942 | 10007085 |
| Upper cutter reset plate | 10000941 | 10000941 | 10007079 |