

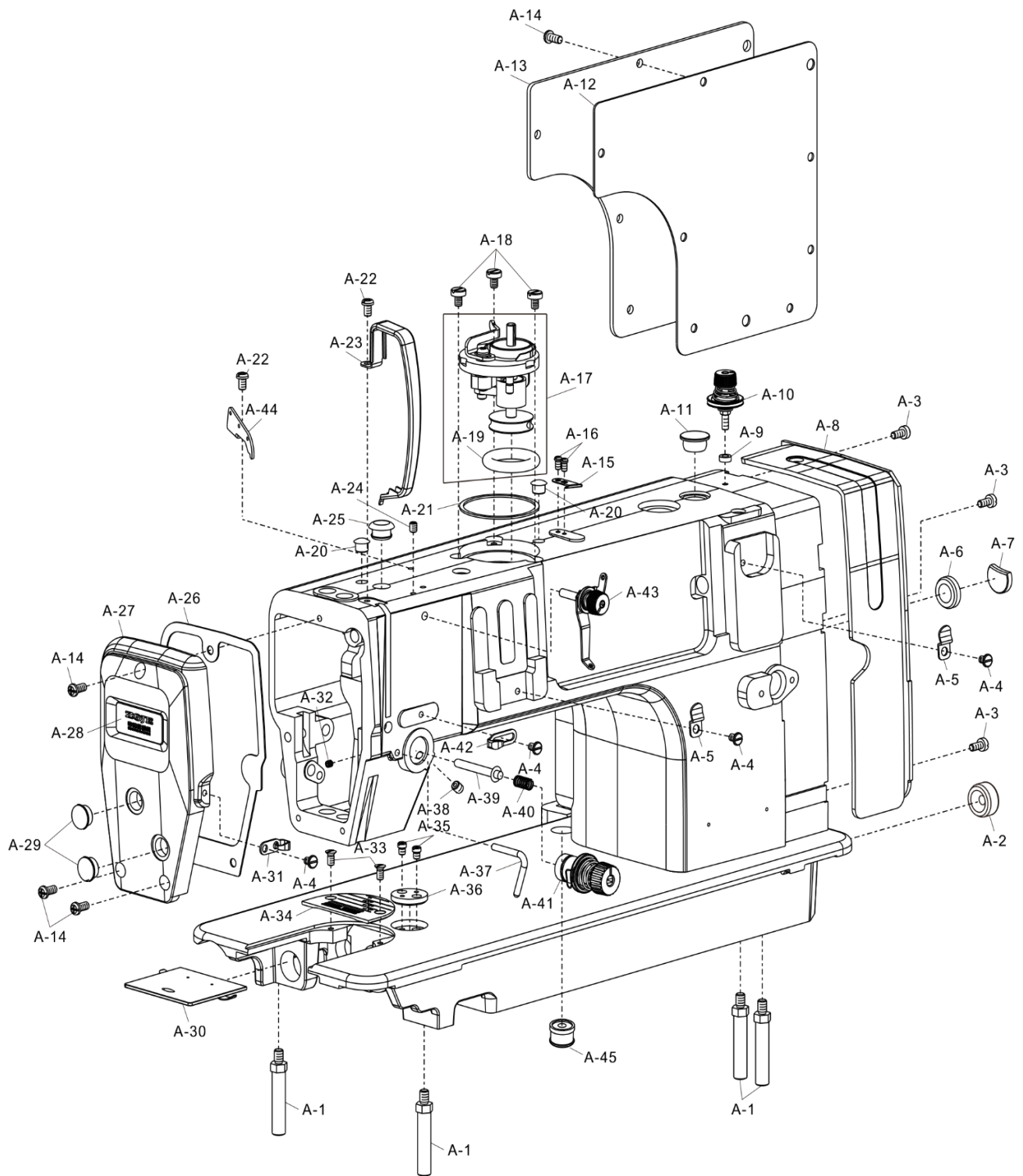
# PARTS BOOK

## *Tronic 3 NEO*

*High speed direct drive  
automatic lockstitch sewing  
machine*



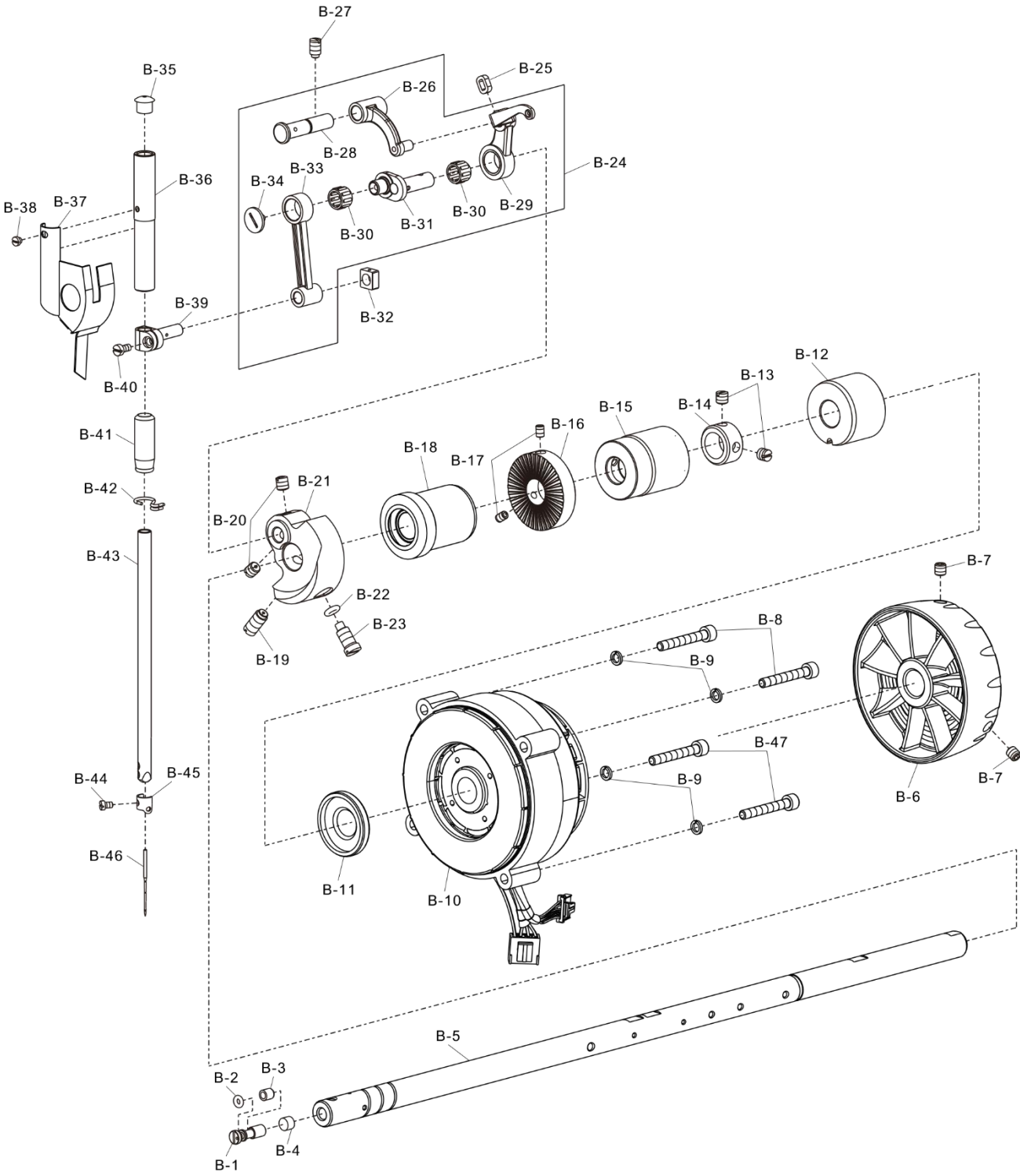
## A. Machine Frame & Miscellaneous cover Components



## A. Machine Frame & Miscellaneous cover Components

Ref.No.	Part No.	Description	QTY	Note
A-1	10002577	Bed screw stud	4	
A-2	10008941	Rubber plug	1	
A-3	10010066	Screw SM11/64"×40	3	
A-4	10008973	Screw SM11/64"×40	4	
A-5	10062047	Slide buckle	2	
A-6	10008975	Rubber plug	1	
A-7	10053849	Rubber plug	1	
A-8	10063821	Plastic plate	1	
A-9	10062565	Washer	1	
A-10	10062049	Bobbin thread tension ASM	1	
A-11	10009576	Rubber plug	1	
A-12	10062030	Side plate gasket	1	
A-13	20024889	Side plate	1	
A-14	10008972	Screw SM3/16"×28	12	
A-15	10011149	Thread cutter	1	
A-16	10050423	Screw SM9/64"×40	2	
A-17	10031086	Bobbin wider ASM.	1	
A-18	10004380	Screw SM3/16"×32	3	
A-19	10008773	Rubber ring	1	
A-20	10008943	Rubber ring	2	
A-21	10061911	Bobbin wider ASM. Washer	1	
A-22	10008934	Screw SM3/16"×28	1	
A-23	10014082	Thread take-up lever cover	1	
A-24	10041529	Screw SM3/16"×28	1	
A-25	10008942	Rubber ring	1	
A-26	10062031	Face plate gasket	1	
A-27	20024053	Face plate	1	
A-28	10062054	Decorative board	1	
A-29	10008977	Rubber ring	2	
A-30	10013706	Push plate ASM.	1	
A-31	10008937	Arm thread guide left	1	
A-32	10009074	Screw M4	1	
A-33	<b>10009005</b>	Screw SM11/64"×40	2	
A-34	<b>10012131</b>	Needle plate L-M	1	
A-34	<b>10014459</b>	Needle plate M-H	1	-5
A-34	10008039	Needle plate M-H	1	-5/H
A-35	10004374	Screw SM11/64"×40	2	S7
A-36	10004373	Ruler plate	1	
A-37	10039823	Presser bar thread guide	1	
A-38	10006264	Screw SM15/64"×28	1	
A-39	10062374	Tension release supporting pin	1	
A-40	10050348	Spring	1	
A-41	<b>10062050</b>	Thread take-up device	1	
A-42	10008940	Arm thread guide right	1	
A-43	10062051	Top thread tension ASM	1	
A-44	10052992	Thread tension guide	1	
A-45	10068303	Rubber plug	1	

**B. Main Shaft & Thread Take-up Cover Components**



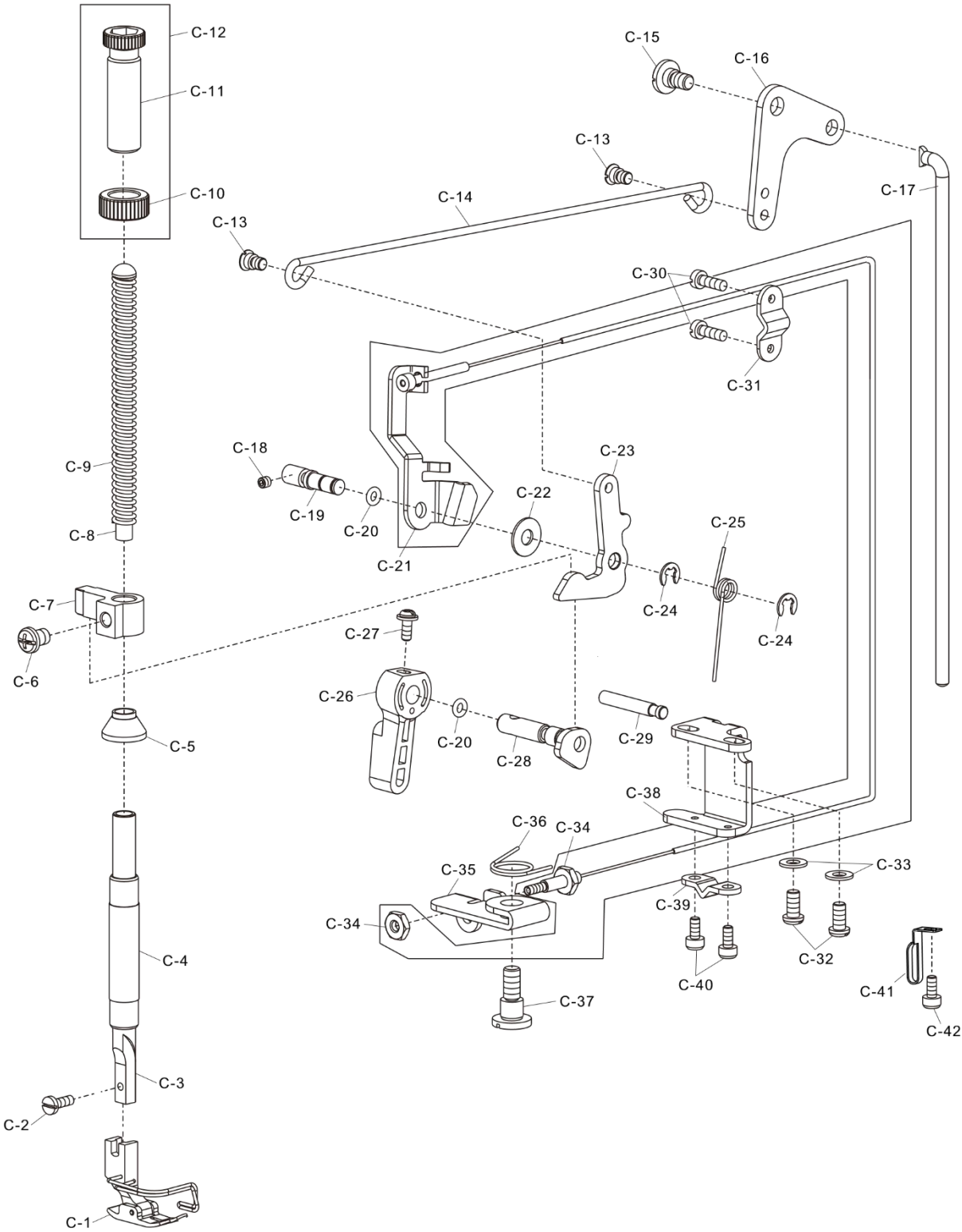
## B. Main Shaft & Thread Take-up Cover Components 1

Ref.No.	Part No.	Description	QTY	Note
B-1	10010504	Adjusting pin	1	
B-2	10010538	O-ring 6.46×1.78	1	
B-3	10010540	Sleeve of adjusting pin	1	
B-4	10010541	Roler felt	1	
B-5	10062373	Main shaft	1	
B-6	20023713	Head wheel	1	
B-7	10011232	Screw M6×6	2	
B-8	10003100	Screw M5×35	4	
B-9	10005537	Washer 5	4	
B-10	10068304	Motor ASM.	1	
B-11	10058049	Oil seal	1	
B-12	10048486	Shaft sleeve	1	
B-13	10005020	Screw SM1/4"×40	2	
B-14	10010542	Thrust collar	1	
B-15	10048484	Shaft sleeve	1	
B-16	10004472	Driving wheel	1	
B-17	10012062	Screw SM11/64"×40	2	
B-18	10061912	Shaft sleeve	1	
B-19	10010082	Screw SM9/32"×28	1	
B-20	10010065	Screw SM1/4"×40	2	
B-21	10012203	Crank	1	
B-21	10012858	Crank	1	-5
B-21	10005938	Crank	1	H
B-22	10010534	O-ring 9.2×2.4	1	
B-23	10010545	Screw	1	
B-24	10047592	Thread take-up lever ASM.	1	
B-25	10010539	Oil resistant cover	1	
B-26	10010535	Connecting rod	1	
B-26	10005936	Connecting rod	1	H
B-27	10010083	Screw SM15/64"×28	1	
B-28	20019236	Pin ASM.	1	
B-29	10038474	Thread take-up lever	1	
B-29	10004158	Thread take-up lever	1	S7
B-29	10005939	Thread take-up lever	1	H
B-30	10014107	Needle bearing K8×12×7.8	2	
B-31	10004144	Crank ASM.	1	
B-31	10005937	Crank ASM.	1	-5/H
B-32	10010586	Sliding block	1	
B-33	10010592	Connecting rod	1	
B-34	10010537	Screw	1	
B-35	10010587	Rubber plug	1	
B-36	10011063	Shaft sleeve	1	
B-37	10056308	ARM oil shield ASM	1	
B-38	10005558	Screw SM1/8"×44	1	
B-39	10010590	Joint pin	1	
B-40	10030286	Screw SM9/64"×40	1	
B-41	10014117	Shaft sleeve	1	

**B. Main Shaft & Thread Take-up Cover Components 2**

<b>Ref.No.</b>	<b>Part No.</b>	<b>Description</b>	<b>QTY</b>	<b>Note</b>
B-41	10005916	Shaft sleeve	1	-5/H
B-42	10005943	Thread guide	1	
B-43	<b>10041608</b>	Needle bar DBx1	1	OPTION
B-43	<b>10041609</b>	Needle bar DPx5	1	-5/H
B-44	<b>10010588</b>	Screw SM1/8"×44	1	
B-45	<b>10010591</b>	Thread guide	1	
B-45	<b>10005945</b>	Thread guide	1	-5/H
B-46	10029605	Needle DBx1 14#	1	OPTION
B-46	10021295	Needle DPx5 18#	1	-5/H
B-47	10059025	Screw M5×42	4	

C. Hang Lifter & Tension Release Components

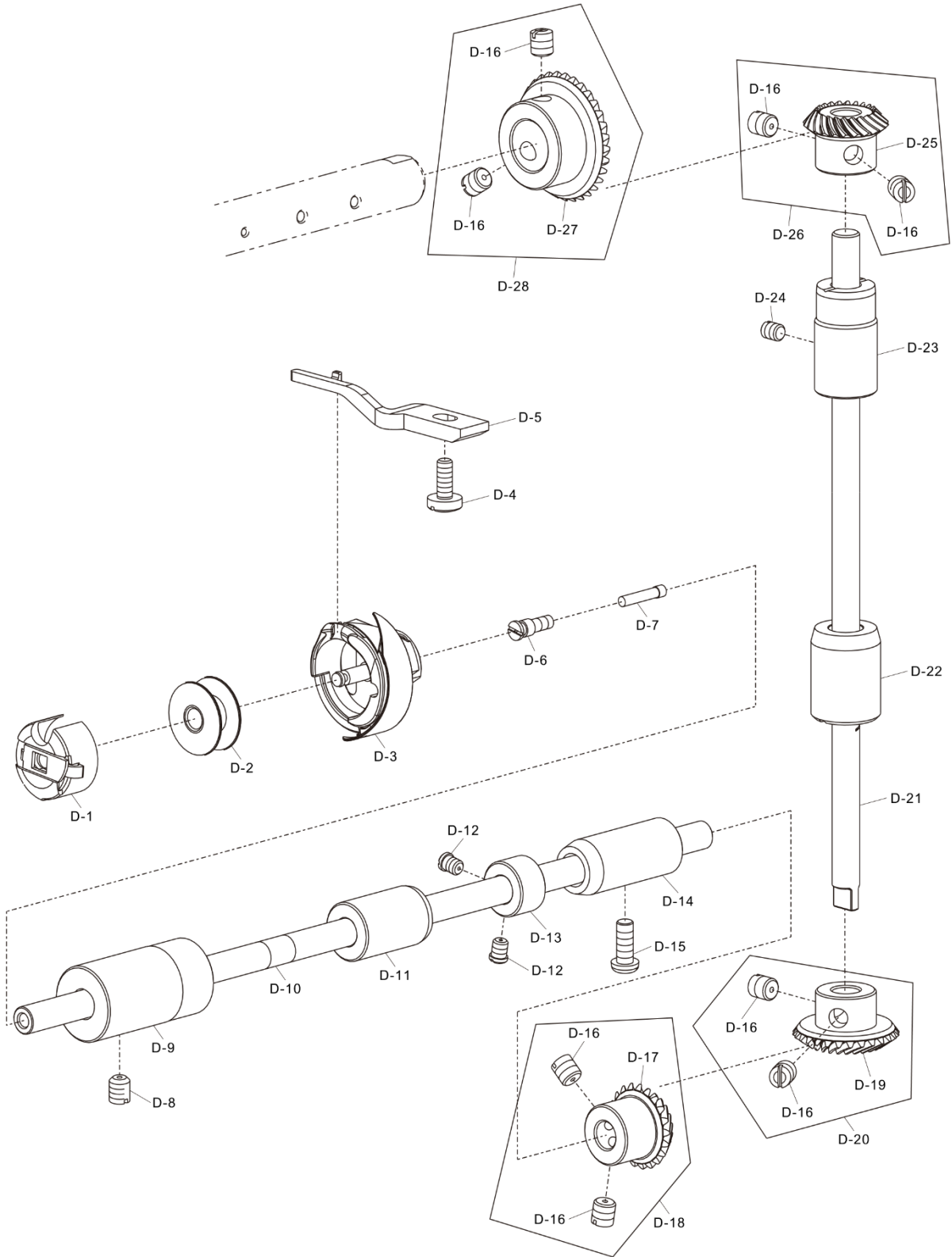


### C. Hang Lifter & Tension Release Components

Ref.No.	Part No.	Description	QTY	Note
C-1	<b>10052532</b>	Presser foot	1	
C-1	<b>10005982</b>	Presser foot	1	-5/H
C-2	10010650	Screw SM9/64"×40	1	
C-3	10010646	Presser bar	1	
C-4	10014118	Shaft sleeve	1	
C-4	10005915	Shaft sleeve	1	-5/H
C-5	10011457	Oil protector cover	1	
C-6	10000325	Screw M6×8	1	
C-7	10039365	Presser guide bar bracket	1	
C-8	10004439	Presser guide bar	1	
C-9	10004473	Spring	1	
C-10	10062022	Nut	1	
C-11	10062021	Screw	1	
C-12	<b>10062052</b>	Screw ASM.	1	
C-13	10010651	Screw SM3/16"×32	2	
C-14	10050189	Lifting lever connecting rod	1	
C-15	10010652	Screw	1	
C-16	10053738	Lifting lever link components	1	
C-17	10010020	Connecting rod vertical	1	
C-18	10009074	Screw M4×4	1	
C-19	10039373	Pin	1	
C-20	10010027	O-ring 3.68×1.78	2	
C-21	10039372	Tension release plate	1	
C-22	10050590	Snap ring	1	
C-23	10050188	Lifting lever	1	
C-24	10013038	Closing ring 5×0.8	2	
C-25	10052046	Spring	1	
C-26	10062023	Hand lifter	1	
C-27	10010016	Screw SM9/64"×40	1	
C-28	10050190	Hand lifter CAM ASM.	1	
C-29	10039374	Pin	1	
C-30	10009037	Screw M4×12	2	
C-31	10039378	Platen	1	
C-32	10008972	Screw SM3/16"×28	2	
C-33	10011653	Washer 5.2×10.5×1	2	
C-34	10005834	Nut SM3/16"×32	2	
C-35	10008860	Loosing plate	1	
C-36	10008834	Spring	1	
C-37	10012467	Screw	1	
C-38	10008811	Loosing line plate	1	
C-39	10013615	Fixing shutter	1	
C-40	10006624	Screw SM9/64"×40	2	
C-41	10000675	Thread guide	1	
C-42	10014477	Screw SM3/16"×28	1	



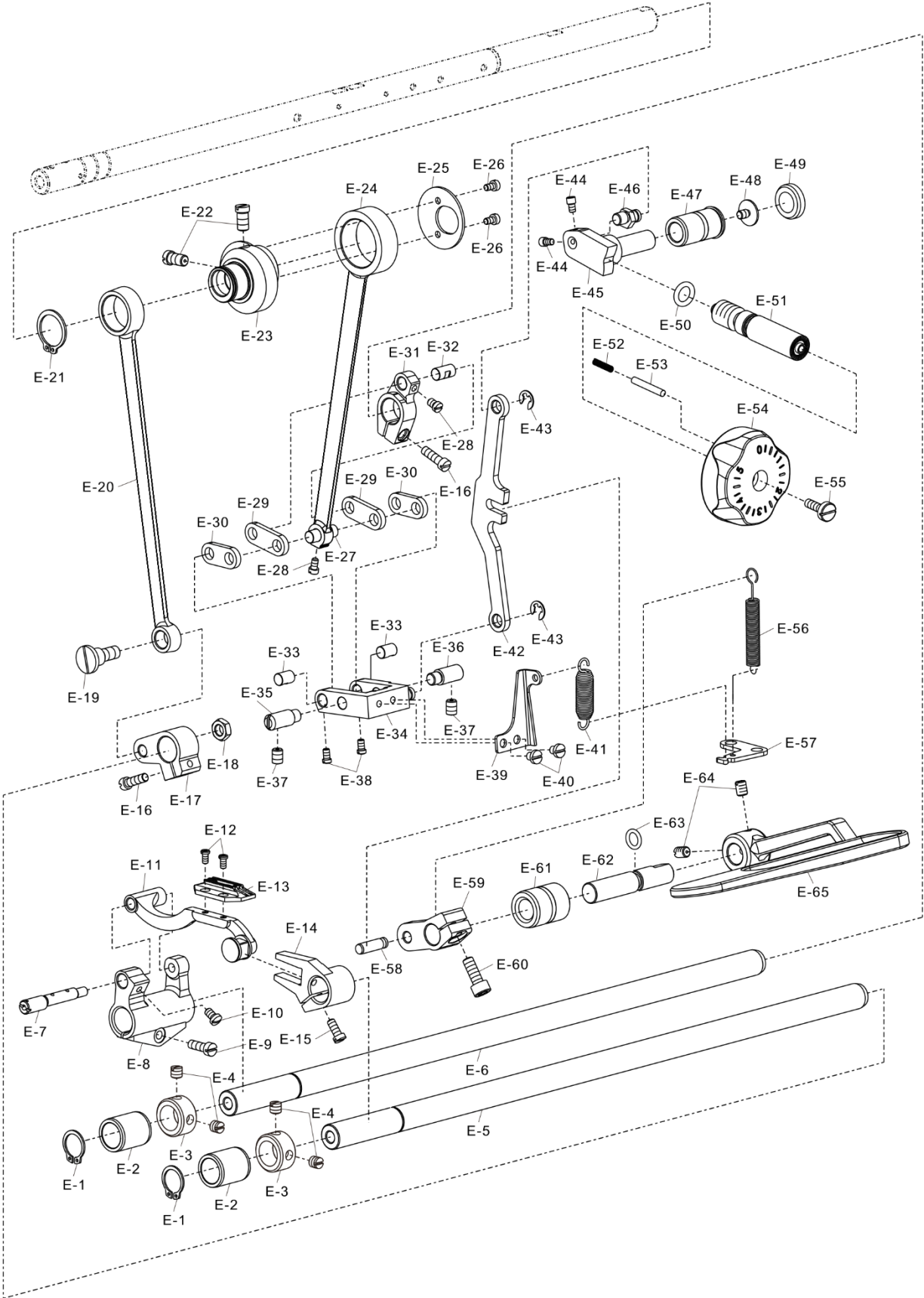
D. Hook Of Driving Shaft Components



#### D. Hook Of Driving Shaft Components

Ref.No.	Part No.	Description	QTY	Note
D-1	<b>10056326</b>	Bobbin case	1	
D-1	<b>10007390</b>	Bobbin case	1	-5
D-2	<b>10025484 (10010060)</b>	Bobbin Alu	1	
D-3	<b>10047162</b>	Hook SMH-7,94BTR	1	
D-3	<b>10051588</b>	Hook SMH-7,94ATR	1	-5
D-4	10010066	Screw SM11/64"×40	1	
D-5	10031260	Positioning finger	1	
D-6	10010064	Screw	1	
D-7	10010063	Oil wick	1	
D-8	10010506	Screw SM15/64"×28	1	
D-9	10058811	Shaft sleeve	1	
D-9	10026781	Shaft sleeve	1	H
D-10	10008821	Hook driving shaft	1	
D-11	10008857	Shaft sleeve	1	
D-12	10010059	Screw SM11/64"×40	2	
D-13	10010058	Thrust collar	1	
D-14	10059385	Shaft sleeve	1	
D-15	10010030	Screw SM3/16"×28	1	
D-16	10010065	Screw SM1/4"×40	8	
D-17	10003937	Gear	1	
D-18	10002560	Gear ASM.	1	
D-19	10010029	Gear	1	
D-20	10002509	Gear ASM.	1	
D-21	10010057	Upright shaft	1	
D-22	10007235	Shaft sleeve	1	
D-23	10007267	Shaft sleeve	1	
D-24	10039610	Screw SM3/16"×28	1	
D-25	10010062	Gear	1	
D-26	10002561	Gear ASM.	1	
D-27	10010056	Gear	1	
D-28	10002445	Gear ASM.	1	

E. Feed Mechanism Components



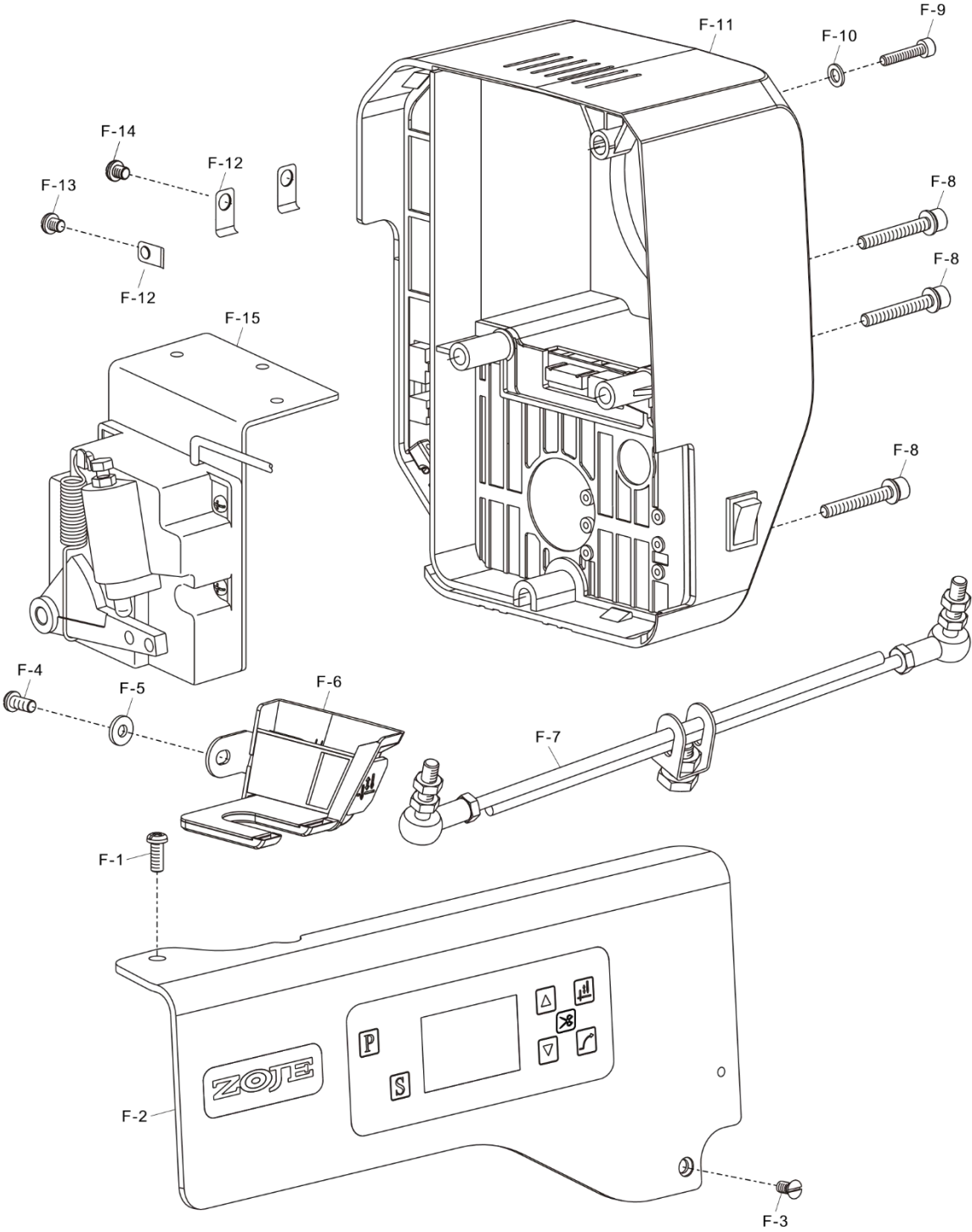
## E. Feed Mechanism Components 1

Ref.No.	Part No.	Description	QTY	Note
E-1	10010090	Closing ring 13.8×1	2	
E-2	10014116	Shaft sleeve	2	
E-3	10048496	Thrust collar	2	
E-4	10005020	Screw SM1/4"×40	4	
E-5	10010097	Feed driving shaft	1	
E-6	10010073	Feed rocker shaft	1	
E-7	10004440	Pin	1	
E-8	10004474	Feed bar driving crank	1	
E-9	10004993	Screw SM3/16"×28	1	
E-10	10010074	Screw SM11/64"×40	1	
E-11	20024474	Feed bar ASM.	1	
E-11	20019012	Feed bar ASM.	1	H
E-12	10010099	Screw SM1/8"×44	2	
E-13	<b>10011066</b>	Feed dog	1	
E-13	10026357	Feed dog	1	S7
E-13	<b>10007322</b>	Feed dog	1	-5/H
E-14	10010100	Crank	1	
E-14	10030200	Crank	1	S7/H
E-15	10004628	Screw SM11/64"×40	1	
E-16	10010095	Screw SM3/16"×28	2	
E-17	10010086	Crank	1	
E-18	10004475	Nut SM9/32"×28	1	
E-19	10010091	Screw	1	
E-20	10010084	Connecting rod	1	
E-21	10010089	Closing ring 18.5×1.2	1	
E-22	10010092	Screw SM1/4"×40	2	
E-23	10010115	Feed drive eccentric cam	1	
E-23	10005991	Feed drive eccentric cam	1	S7/H
E-24	10010072	Connecting rod	1	
E-24	10006004	Connecting rod	1	S7/H
E-25	10010098	Thrust cover	1	
E-25	10005992	Thrust cover	1	S7/H
E-26	10010643	Screw SM9/64"×40	2	
E-27	10010069	Pin	1	
E-28	10010071	Screw SM9/64"×40	2	
E-29	10048696	Connecting plate	2	
E-30	10048736	Connecting plate	2	
E-31	10010076	Crank	1	
E-32	10010096	Pin	1	
E-33	10010087	Pin	1	
E-34	10010088	Feed adjusting ASM.	1	
E-34	10028750	Feed adjusting ASM.	1	
E-35	10010102	Pin	1	
E-36	10058783	Pin	1	
E-37	10010678	Screw SM15/64"×28	2	
E-38	10010197	Screw SM9/64"×40	2	
E-39	10010282	Plate	1	S7/H

## E. Feed Mechanism Components 2

Ref.No.	Part No.	Description	QTY	Note
E-40	10010285	Screw SM11/64"×40	2	S7/H
E-41	10010284	Spring	1	
E-41	10012990	Spring	1	
E-42	10064647	Feed adjust rod	1	
E-42	10065217	Feed adjust rod	1	S7/H
E-43	10010649	Closing ring 5.1×0.6	2	
E-44	10051742	Screw SM9/64"×40	2	
E-45	10053433	Feed regulator	1	
E-45	10054536	Feed regulator	1	S7/H
E-46	10026886	Pin	1	
E-47	10053434	Shaft sleeve	1	
E-48	10010238	Screw	1	
E-49	10008975	Rubber plug	1	
E-50	10010240	O-ring 9.2×2.7	1	
E-51	10062375	Screw	1	
E-52	10013869	Spring	1	
E-53	10013870	Pin	1	
E-54	10063088	Feed dial	1	
E-54	10063374	Feed dial	1	S7/H
E-55	10010281	Screw SM3/16"×28	1	
E-56	10004430	Spring	1	
E-56	10012991	Spring	1	S7/H
E-57	10010235	Plate	1	
E-57	10012987	Plate	1	S7/H
E-58	10010287	Pin	1	
E-59	10031548	Crank	1	
E-59	10065216	Crank	1	S7/H
E-60	10009008	Screw	1	
E-61	10014119	Shaft sleeve	1	
E-62	10062033	Reverse feed shaft	1	
E-63	10010243	O-ring 7.8×2	1	
E-64	10040504	Screw M6	2	
E-65	20024054	Reverse feed control lever	1	

F. Drive-by-wire Components



## F. Drive-by-wire Components

Ref.No.	Part No.	Description	QTY	Note
F-1	10063944	Screw SM3/16"×28	1	
F-2	10068306	Operation screen ASM	1	
F-3	10009005	Screw SM11/64"×40	1	
F-4	10008972	Screw SM3/16"×28	1	
F-5	10011168	Washer 4.8×11.6×1.6	1	
F-6	10064186	Led lamp ASM.	1	
F-7	10042945	Pedal control rod ASM.	1	
F-8	10049837	Screw M5×35	3	
F-9	10012080	Screw M4×20	1	
F-10	10006115	Washer 5.3×9×1	1	
F-11	10068305	Controll box	1	
F-11	*	Controll box	1	-5/S7/H
F-12	10029991	Cord holder	3	
F-13	10010899	Screw SM3/16"×28	1	
F-14	10008972	Screw SM3/16"×28	1	
F-15	10031424	Pedal unit ASM.	1	

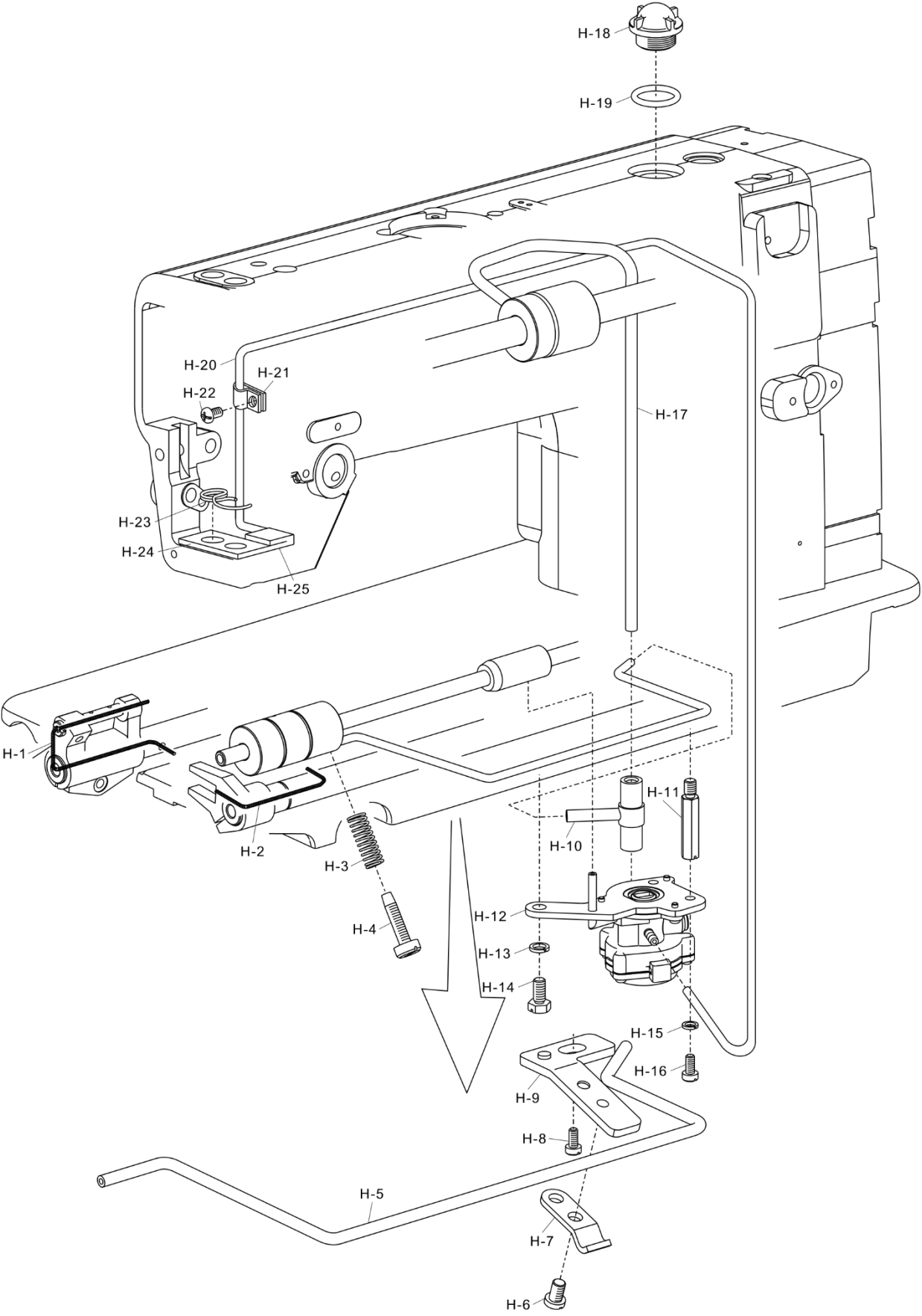




## G. Thread trimmer Components

Ref.No.	Part No.	Description	QTY	Note
G-1	<b>10011421</b>	Fixed knife	1	
G-2	10011422	Screw SM9/64"×40	1	
G-3	10024496	Screw SM1/8"×40	1	
G-4	<b>10058067</b>	Dispart	1	
G-4	<b>10062533</b>	Dispart	1	H
G-5	10013154	Washer 9×4.5×0.8	3	
G-6	10014474	Screw SM11/64"×40	1	
G-7	10011514	Screw SM11/64"×40	2	
G-8	10031612	Knife shaft crack rod	1	
G-9	10010900	Screw SM11/64"×40	2	
G-10	10008856	Knife holder ASM.	1	
G-11	10004640	Round knife bracket	1	
G-12	10011578	Nut SM11/64"×40	1	
G-13	<b>10011494</b>	Round knife	1	
G-13	<b>10030280</b>	Round knife	1	-5
G-14	10011588	Screw SM11/64"×40	2	
G-15	10010736	Thread trimmer cam	1	
G-16	10023739	Cam collar	1	
G-17	10013465	Screw SM1/4"×40	2	
G-18	10058043	Trimming crank	1	
G-19	10008863	Screw SM3/16"×32	1	
G-20	10011580	Block	1	
G-21	10008865	Washer 15.3×21×1	1	
G-22	10011649	Spring	1	
G-23	10012454	Shaft sleeve	1	
G-24	10012062	Screw SM11/64"×40	1	
G-25	10011630	Short bushing	1	
G-26	10008866	Trimming crank shaft	1	
G-27	10014196	Spring cover	1	
G-28	10008812	Spring	1	
G-29	10011686	Trimming cam crank ASM.	1	
G-30	10008862	Screw SM1/4"×40	1	
G-31	10011697	Trimming shaft	1	
G-32	10009654	Closing ring 6×1	1	
G-33	10003031	Washer 8.4×16×1.6	1	
G-34	10011650	Washer 8.2×15×2	1	
G-35	10050266	Sound deadening plug	1	
G-36	10031414	Thread trimmer solenoid ASM.	1	
G-37	10003077	Washer 6	1	
G-38	10011605	Screw SM1/4"×28	1	
G-39	10026782	Round knife	1	H
G-40	10009626	Screw M3×4.35	1	H
G-41	10013026	Knife holder	1	H
G-42	10026783	Round knife bracket	1	H

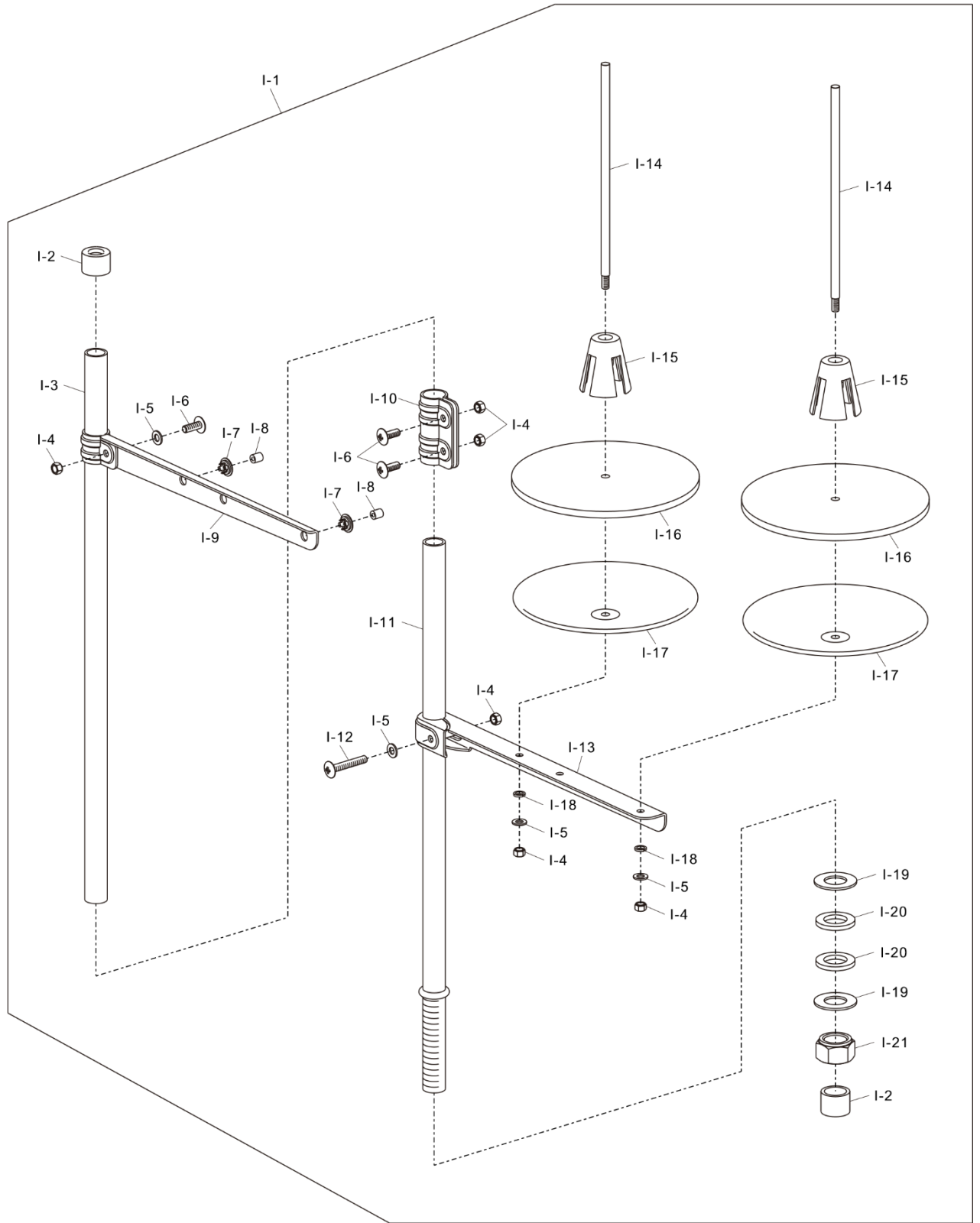
H. Lubrication Components



## H. Lubrication Components

Ref.No.	Part No.	Description	QTY	Note
H-1	10008067	Oil wick(430mm)	1	
H-2	10008067	Oil wick(400mm)	1	
H-3	10008806	Spring	1	
H-4	10008831	Screw	1	
H-5	10008807	Oil tube	1	
H-6	10010074	Screw SM11/64"×40	1	
H-7	10012445	Tube holder	1	
H-8	10010292	Screw SM15/64"×28	1	
H-9	10012443	Plate	1	
H-10	10010340	Oil connection	1	
H-11	10010293	Screw	1	
H-12	10008817	Oil pump ASM.	1	
H-13	10003077	Washer 6	1	
H-14	10050422	Screw SM15/64"×28	1	
H-15	10005537	Washer 5	1	
H-16	10010066	Screw SM11/64"×40	1	
H-17	10065712	Oil tube	1	
H-18	10008938	Oil sight window	1	
H-19	10008939	O-ring 19×3	1	
H-20	10007795	Oil tube(690mm)	1	
H-21	10004476	Holder	1	
H-22	10008934	Screw SM3/16"×28	1	
H-23	10042077	Oil felt preser	1	
H-24	10054207	Roler felt	1	
H-25	20019651	Oil return tube ASM.	1	

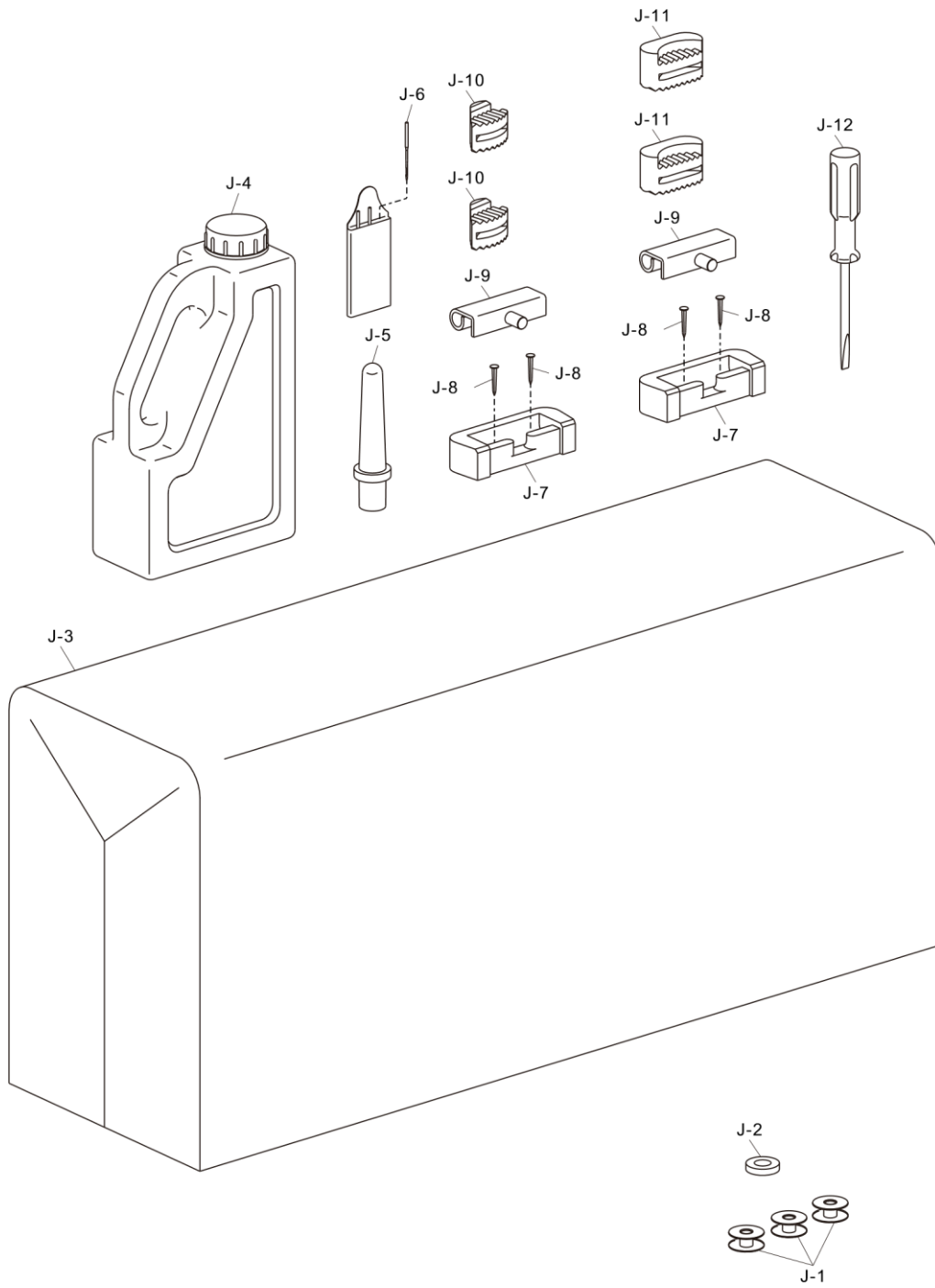
# I. Thread Stand Components



## I. Thread Stand Components

Ref.No.	Part No.	Description	QTY	Note
I-1	10061710	Thread stand ASM.	1	
I-2	10004282	Column cap	2	
I-3	10004293	Column pipe(upper)	1	
I-4	10002953	Nut M5	6	
I-5	10003022	Washer 5	4	
I-6	10003301	Screw M5×14	3	
I-7	10004285	Thread guide bushing	2	
I-8	10004289	Thread guide pipe	2	
I-9	10004298	Thread hanger(upper)	1	
I-10	10004286	Column pipe connector	1	
I-11	10004291	Column pipe(lower)	1	
I-12	10003312	Screw M5×30	1	
I-13	10004284	Thread hanger(lower)	1	
I-14	10004288	Spool pin	2	
I-15	10004287	Spool cushion	2	
I-16	10004281	Spool mat	2	
I-17	10004299	Spool seat disc	2	
I-18	10003077	Washer 5	2	
I-18	10004290	Washer 16×30×1.5	2	
I-19	10004295	Washer 16.5×27.5×3	2	
I-20	10002985	Nut M16	1	

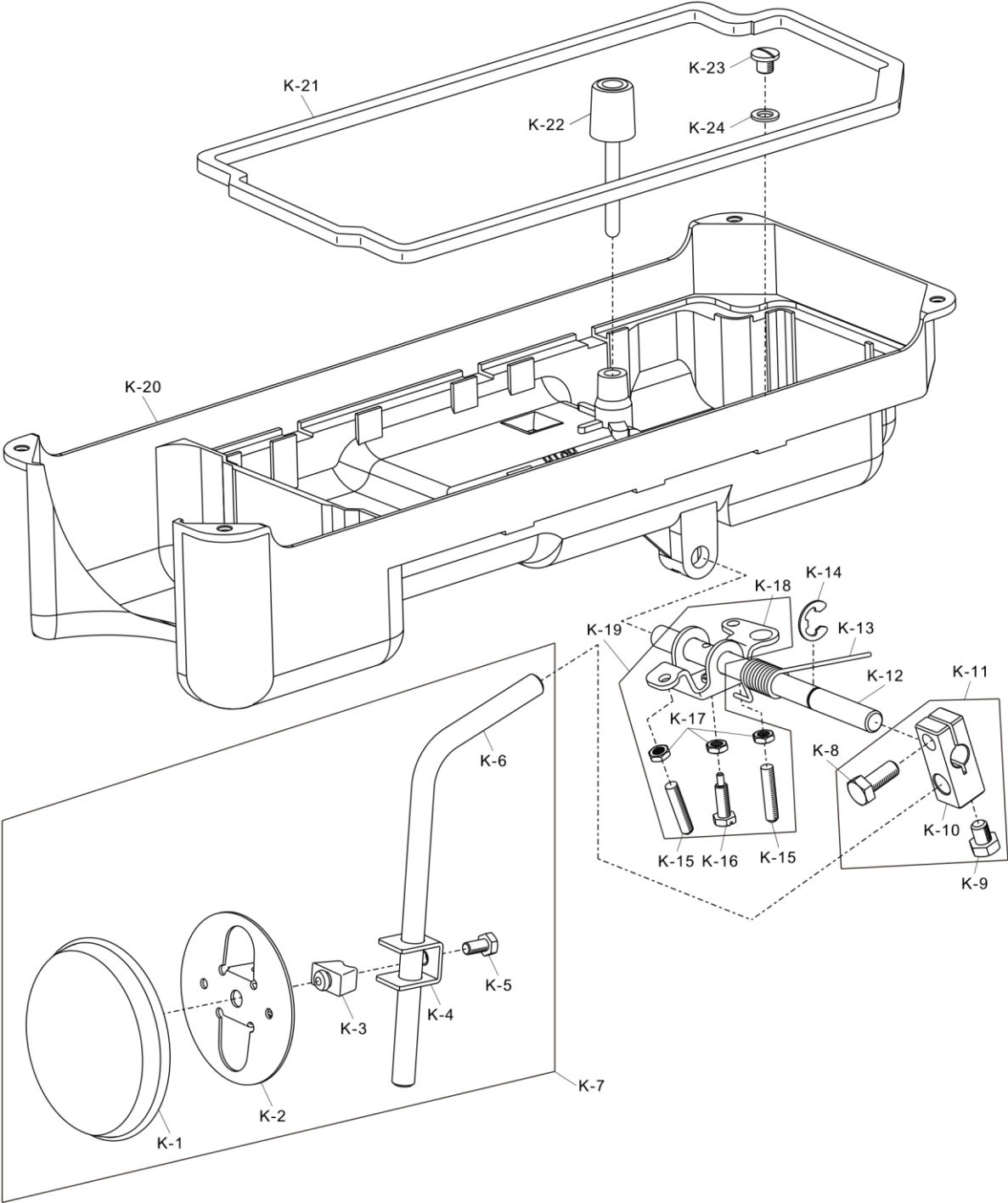
## J. Auxiliaries



## J. Auxiliaries

Ref.No.	Part No.	Description	QTY	Note
J-1	10025484	Bobbin	3	
J-2	10003892	Oil reservoir magnet	1	
J-3	10008849	Head cover	1	
J-4	10060866	Oil bottle with oil	1	
J-5	10004514	Head pole	1	
J-6	TEXI 135X5 80	Needle DP×5 No. 80	3	
J-6	TEXI 135X5 100	Needle DP×5 No. 100	3	-5/H
J-7	10011041	Head connecting hook socket	2	
J-8	10003889	Nail	4	
J-9	10004466	Head connecting hook	2	
J-10	10009986	Oil reservoir seat	2	
J-11	10009993	Oil reservoir cushion	2	
J-12	10010995	Screw driver, middle	1	

K. Presser Foot Components Of Oil Plate Knee Lift





**K. Presser Foot Components Of Oil Plate Knee Lift**

<b>Ref.No.</b>	<b>Part No.</b>	<b>Description</b>	<b>QTY</b>	<b>Note</b>
K-1	10004223	Knee pressing cover	1	
K-2	10003891	Knee pressing plate	1	
K-3	10003900	Knee pressing plate rubber	1	
K-4	10003897	Knee pressing plate holder	1	
K-5	10003894	Screw SM15/64"×28	1	
K-6	10003901	Knee pressing plate rod	1	
K-7	10009985	Knee pressing plate ASM.	1	
K-8	10002613	Screw M8×20	1	
K-9	10002610	Screw M8×10	1	
K-10	10003896	Connection	1	
K-11	10002562	Connection ASM.	1	
K-12	10003899	Knee pressing shaft	1	
K-13	10003893	Spring	1	
K-14	10002559	Closing ring 9.8×1	1	
K-15	10003895	Screw M6×30	2	
K-16	10003898	Screw	1	
K-17	10003890	Nut M6×3.2	3	
K-18	10009987	Crank	1	
K-19	10002563	Crank ASM.	1	
K-20	10056895	Oil reservoir	1	
K-21	10014194	Oil reservoir gasket	1	
K-22	10009984	Pin	1	
K-23	10009991	Screw SM5/16"×24	1	
K-24	10009988	Rubber ring 7.8×13.5×1.3	1	