

*Parts list*

*texi*® **1501**

version from



# INDEX

01.Machine Stand  
1

02.Rotary Hook Base  
3

03.Machine Head/Color Change  
System  
5

04.Needle Bar Case  
7

05.Trimming Part  
9

06.Y-axis Drive System  
11

07.X-axis Drive System  
13

08.Thread Stand  
15

09.Thread Tension Base  
17

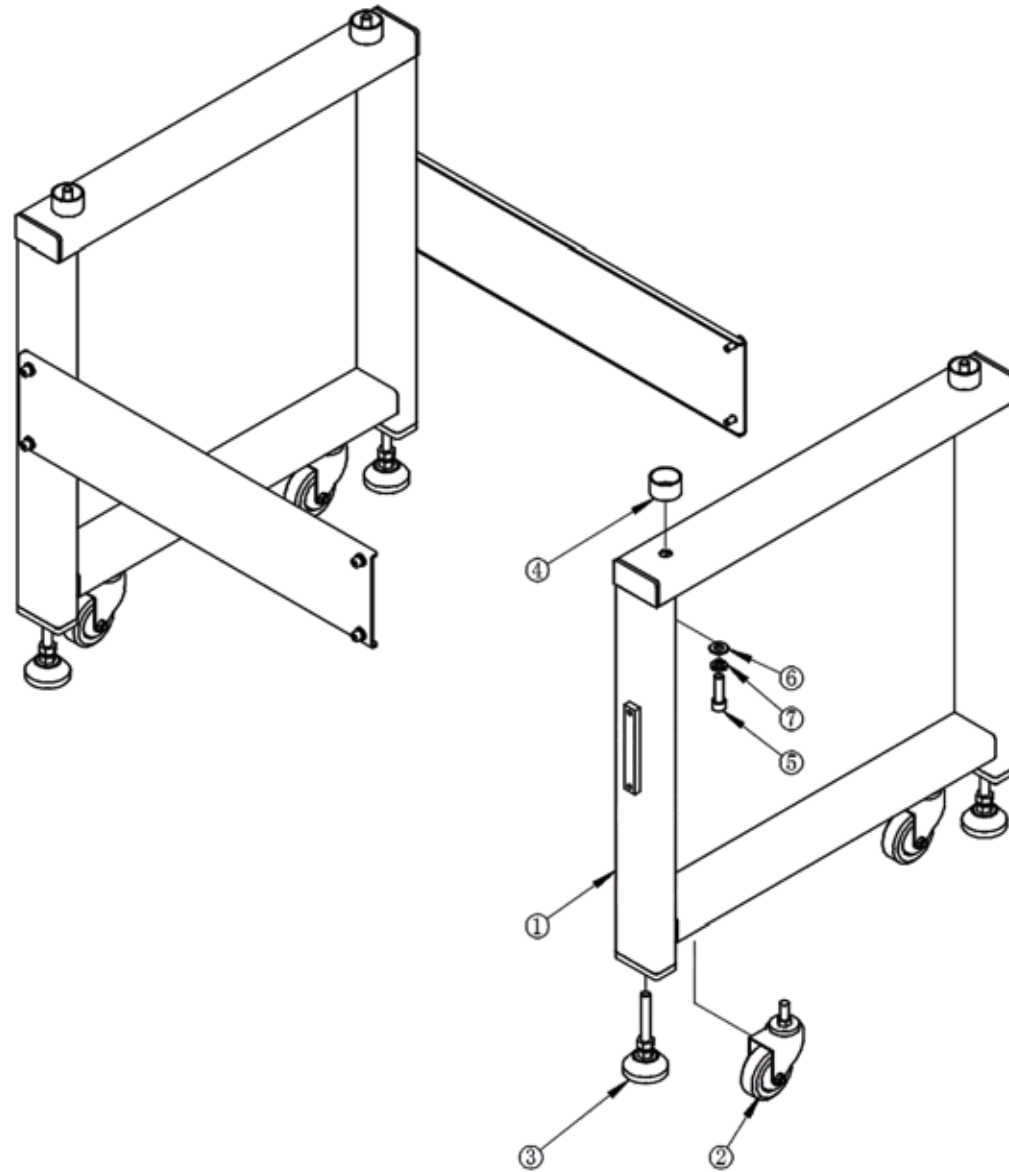
10.Electrical Part  
19

10.Electrical Part-MT-1T-8S  
21

11.Frame  
23

12.Cap Frame  
25

# 01. Machine Stand



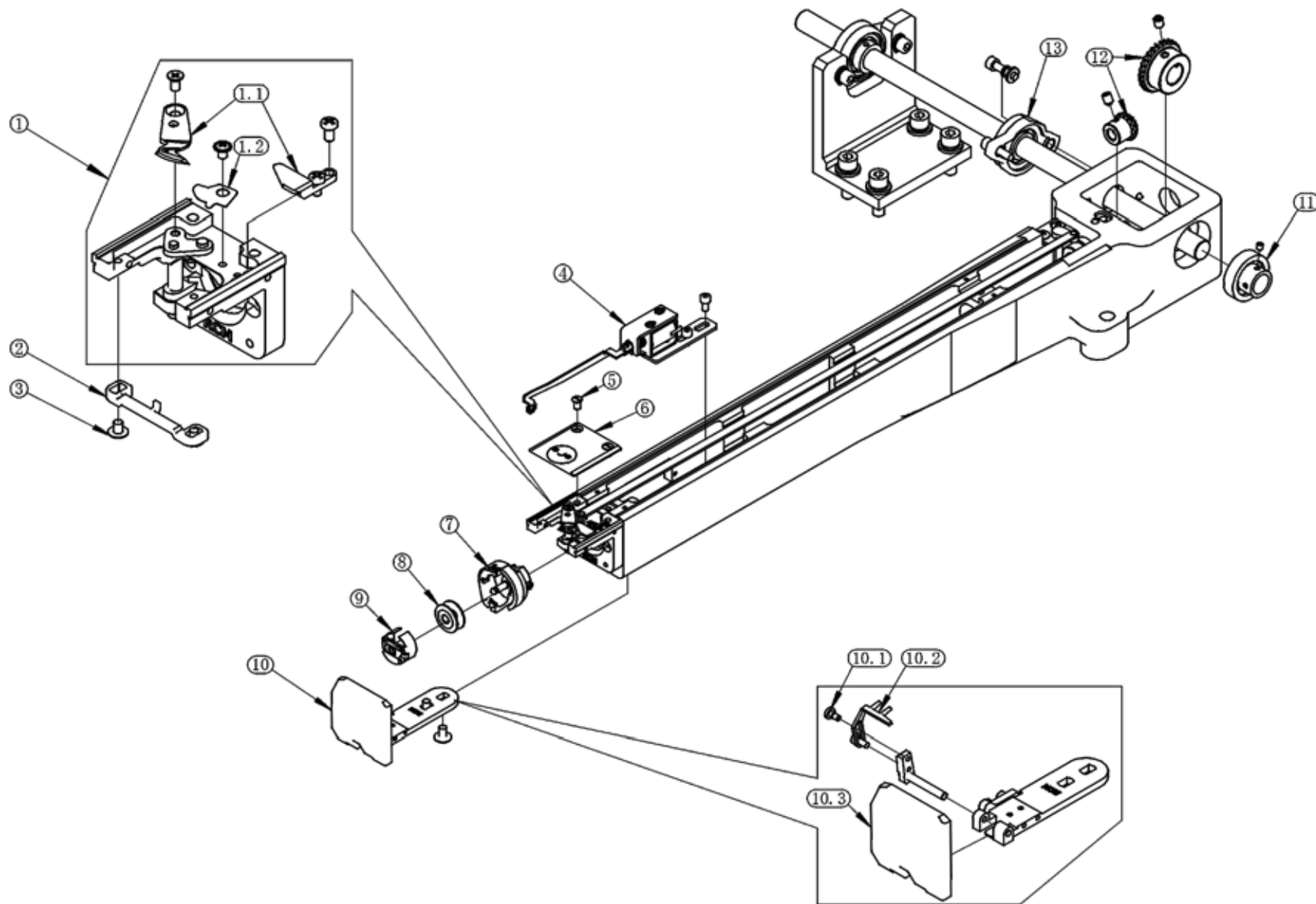
*texi* 1501 TS

# 01.Machine Stand

No.	Serial No.	Part name	Remark
1	3011100211	Side rack-lower rack-MT-A	
2	80270501	Screw lever truckle-65M12	
3	80270831	Support Feet-Nylon-Φ50-M12*50	
4	3011100121	Rubber Foot Cover-40	

No.	Serial No.	Part name	Remark
5	80811240	M12x40 Hexagon socket head	
6	80901202	M12 thick flat cushion- nickel-plated	
7	80901213	M12 spring cushion-black	

## 02.Rotary Hook Base



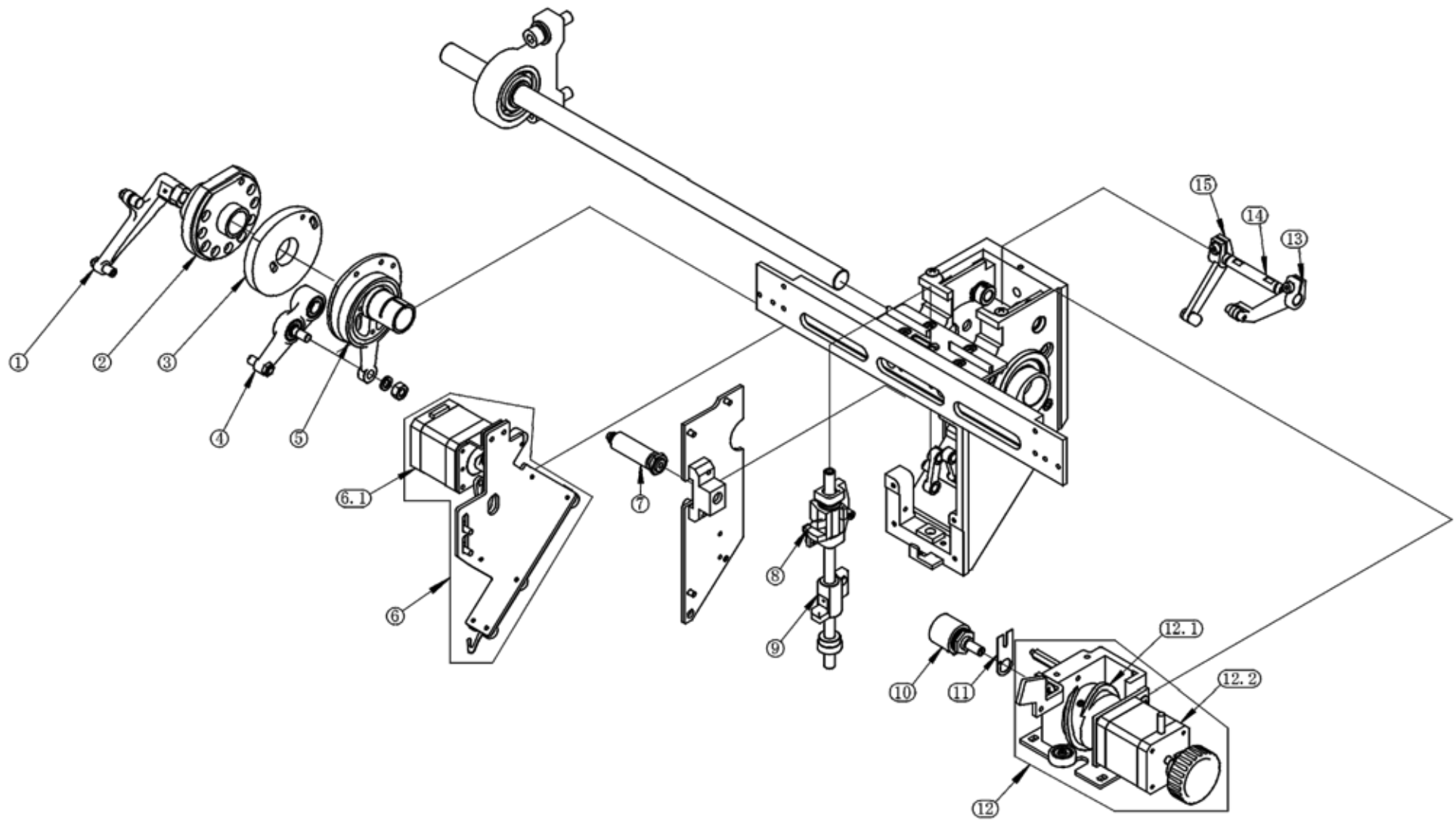
*texi* 1501 TS

## 02.Rotary Hook Base

No.	Serial No.	Part name	Remark
1	02101660	Needle plate base assembly-SR-C	
1.1	02101282	Cap Embroidery Scissors Kit	
1.2	02101233	Fixed knife shrapnel	
2	03021322	Locating rotary hook-RCM	
3	80746304	Screw-M3x4	
4	02010665VA	Picker solenoid set-small needle plate	
5	80924131	Counter bore slotted screw 11/64 x 6	
6	02101611VA	Needle Plate -SR-C-H	
7	80620291	Koban rotary hook	

No.	Serial No.	Part name	Remark
8	80620302	Bobbin	
9	80620301	Bobbin case	
10	02101661	Picker set-SR-C	
10.1	02010625	Picker rod screw-SY	
10.2	02010624	Picker-SY	
10.3	02101622	Front cover-SR-C	
11	80031522	Bearing-60/15-15x35x19	
12	01030133	Bevel gear kit	
13	80039011	Bearing UFL002	

# 03. Machine Head/Color Change System



**texi** 1501 TS

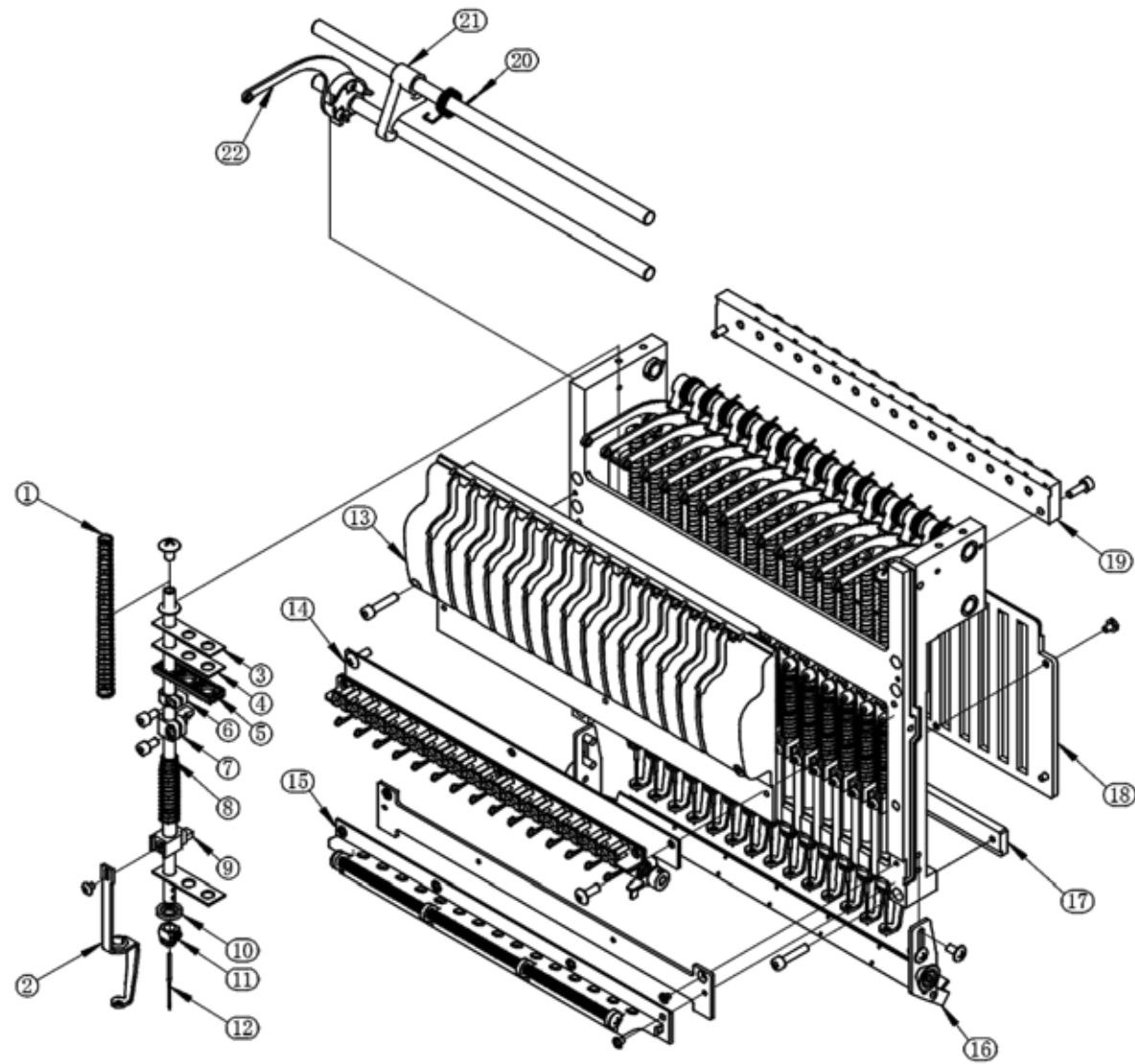
## 03.Machine Head/Color Change System

No.	Serial No.	Part name	Remark
1	01212262	Press Foot Rod	
2	01212271	Press Foot Cam + AI Ring + AL Base	
3	01212404DY	Thread-taking-up nylon cam-Single cam and Double Driver-15 shafts	
4	01212161	Three-eye connecting rod assembly – high speed	
5	01212464	Large connecting rod–4pcs–15 shafts	
6	01431281	Thread hooking device-step-wide machine head	
6.1	42BYGH4408-12	Thread hooking motor	
7	80320201	Solenoid	
8	01212073	Reciprocator-H-S	

No.	Serial No.	Part name	Remark
9	01212260DX	Presser Foot Driving Block Assembly-DX	
10	03150833	Potentiometer-DT	
11	03040510	potentiometer support plate	
12	01293862VA	Stepping motor 42-color changing component- high speed	
12.1	01293813	changing color cam-double rail-steel	
12.2	17H2059-12-6B	Color change motor	
13	01212165DX	Take-up connecting rod B assembly	
14	01212307DX	Take-up Lever Pin	
15	01212163DX	Take-up connecting rod A assembly	



# 04. Needle Bar Case



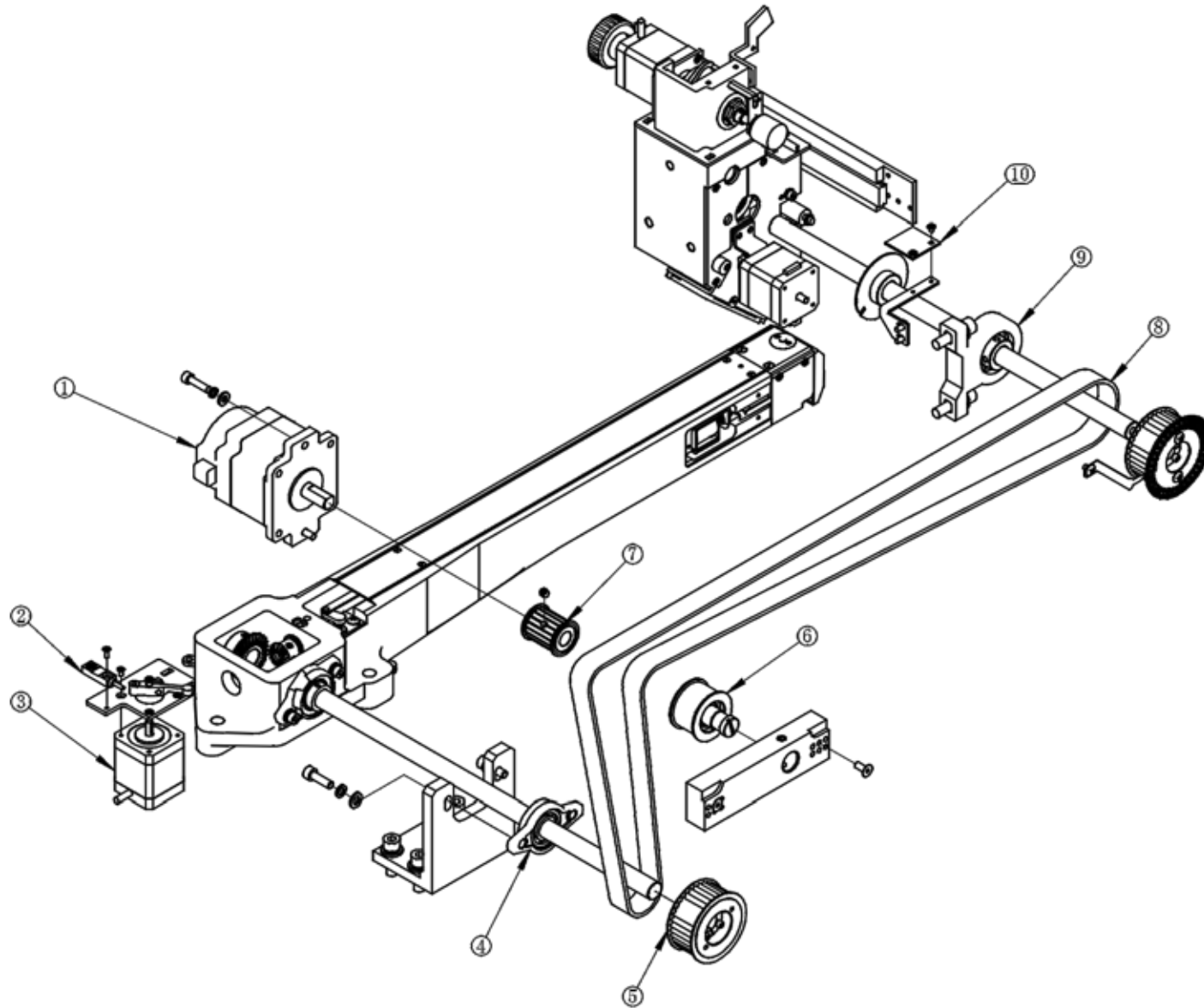
*texi* 1501 TS

## 04.Needle Bar Case

No.	Serial No.	Part name	Remark
1	03080102	Needle bar spring-P	
2	4006260200	Press foot and cushion-high speed-93	
3	01221602	3 pore cushion-1	
4	01221606	Feltless pad	
5	01221605	3 pore rubber cushion	
6	01222105	Upper end stopper clamp	
7	01222106	Needle bar connecting pin	
8	03080108	Presser foot spring-P	
9	03080104AB	Lifting set-brown- with + shape screw	
10	01222110	Cushion blocking	
11	01222194	Normal clamp with screw	

No.	Serial No.	Part name	Remark
12	80621111	Needle-DBXK5-11	
13	72011215-RH	15 Needles Upper Faceplate-Customize Dark Grey	
14	03082592	Middle threading module-15	
15	03096015	Below thread guide module-LED-15	
16	03086193	Front thread clamp module-15	
17	01213116	Lower guide rail – high speed-15	
18	03081311	Needle bar guide plate-15	
19	03081215	15 needle change color plate	
20	03081503	Fixed block torsional spring	
21	01213312	Positioning block of take-up-lever	
22	01213371	Take-up lever assembly	

## 05. Trimming Part



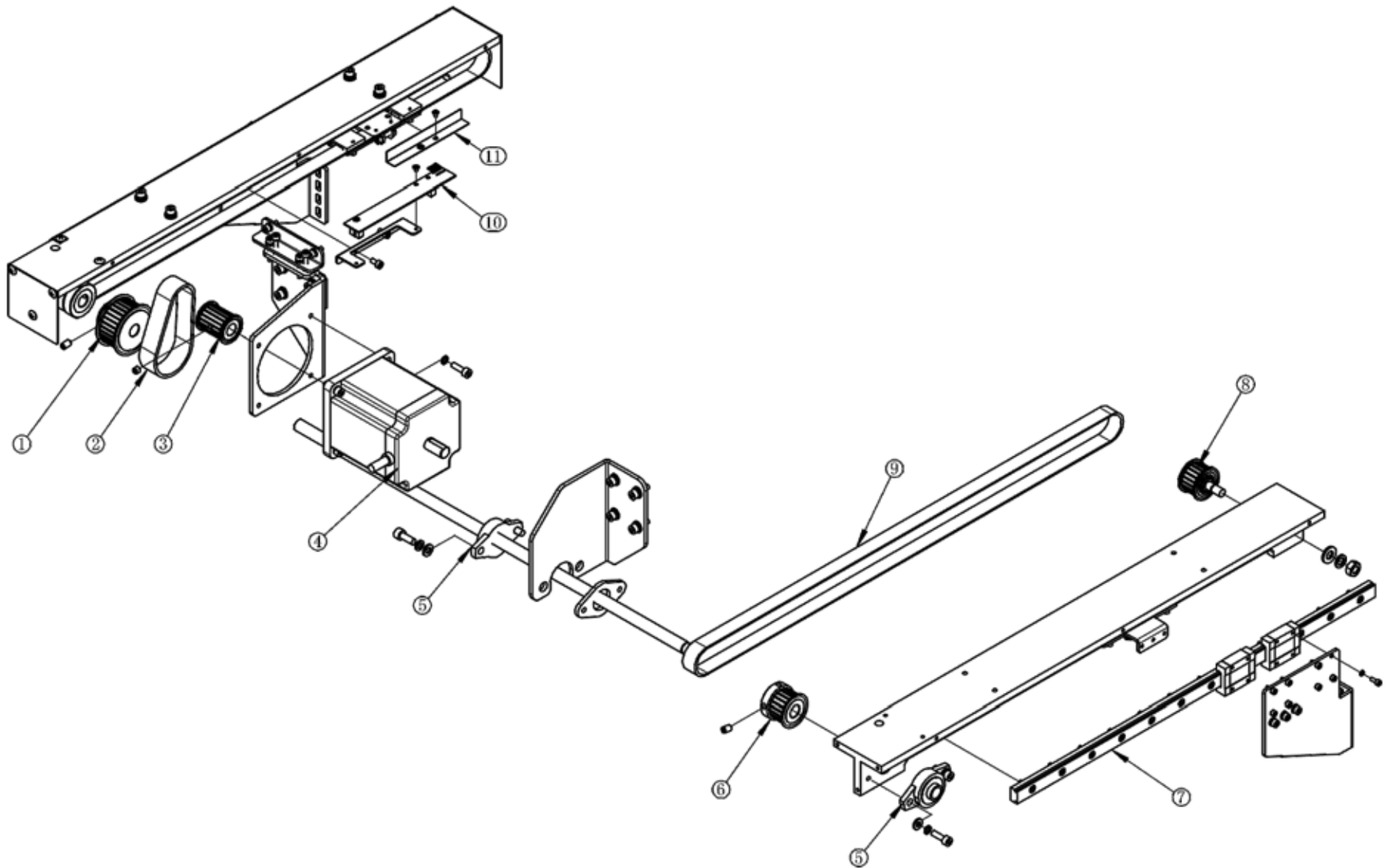
**texi** 1501 TS

# 05.Trimming Part

No.	Serial No.	Part name	Remark
1	70SF3A60-330-1000Z	Main motor	
2	80333601	Micro proximity switch	
3	42BYGH5201-01	Trimming motor	
4	01400660	Trimming box bearing assembly-SY	
5	3011200192	Synchronous pulley-upper and lower shafts--MT-M	

No.	Serial No.	Part name	Remark
6	3011200160	Eccentric wheel assembly-MT-up and down movement	
7	3011200193	Synchronous pulley-spindle motor-MT-M	
8	80025152	Synchronous belt 5M-20-1690	
9	02311181	Bearing base	
10	RCM-ZPS1V12	Optical coupling plate-Zero-MT	

# 06.Y-axis Drive System



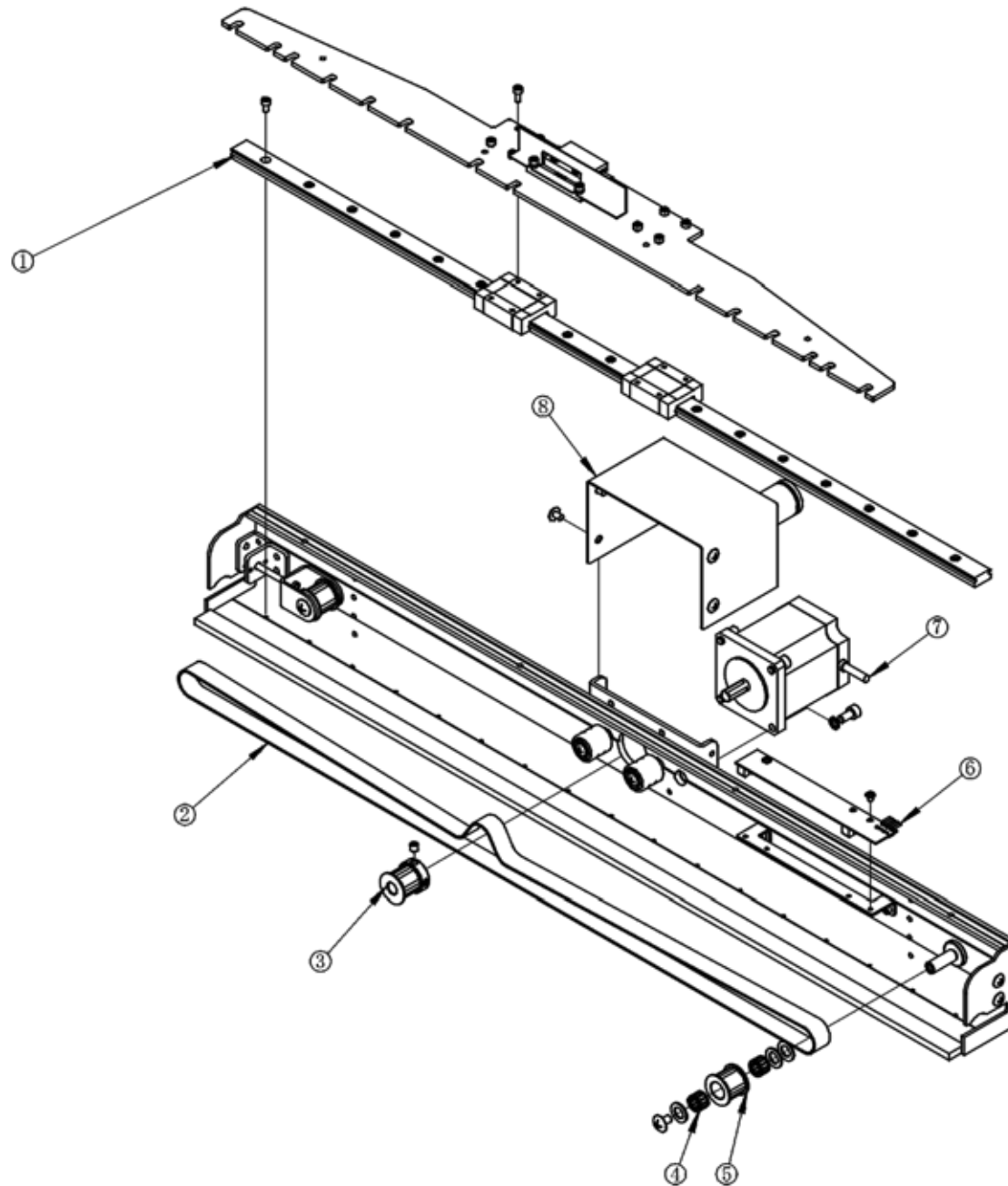
**texi 1501 TS**

# 06.Y-axis Drive System

No.	Serial No.	Part name	Remark
1	3011212095	Synchronous pulley-transition-MT-Y	
2	80025151	Synchronous belt 5M-20-235	
3	3011200193	Synchronous pulley-spindle motor-MT-M	
4	86BYG350	Y axis driving motor	
5	80039010	Insert bearing UFL001-D12	
6	3011212092	Synchronous pulley-driving-MT-Y	

No.	Serial No.	Part name	Remark
7	8001510480	Linear guide rail-MT-Y	
8	3011212080	Driven wheel assembly-MT-Y	
9	3011212032	Limit baffle-MT-A	
10	RCM-SW2V13	Optical coupling plate-limit XY	
11	3011212097	Synchronous belt-MT-Y	

# 07.X-axis Drive System



**texi 1501 TS**

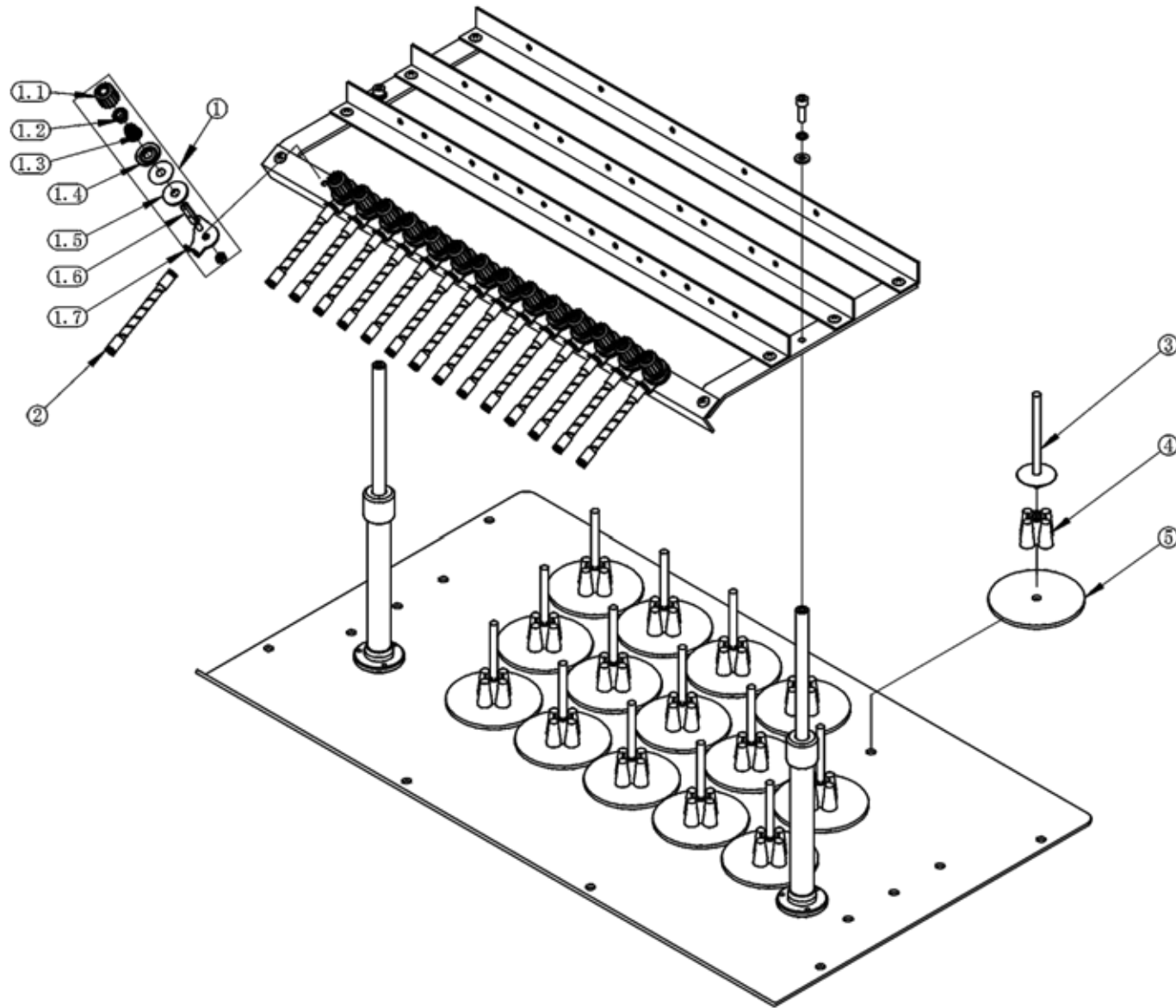
# 07.X-axis Drive System

No.	Serial No.	Part name	Remark
1	8001510690	Guide rail BRH15-690	
2	3011211197	Synchronous belt-MT1-X	
3	80023601	20-3M-15-XDM pulley	
4	80030831	Needle Roller Bearing	

No.	Serial No.	Part name	Remark
5	80023602	20-3M-15-12 pulley	
6	RCM-SW2V13	Optical coupling plate-limit XY	
7	60BYG350	X axis motor	
8	3011211105	X motor cover-MT1	



# 08.Thread Stand



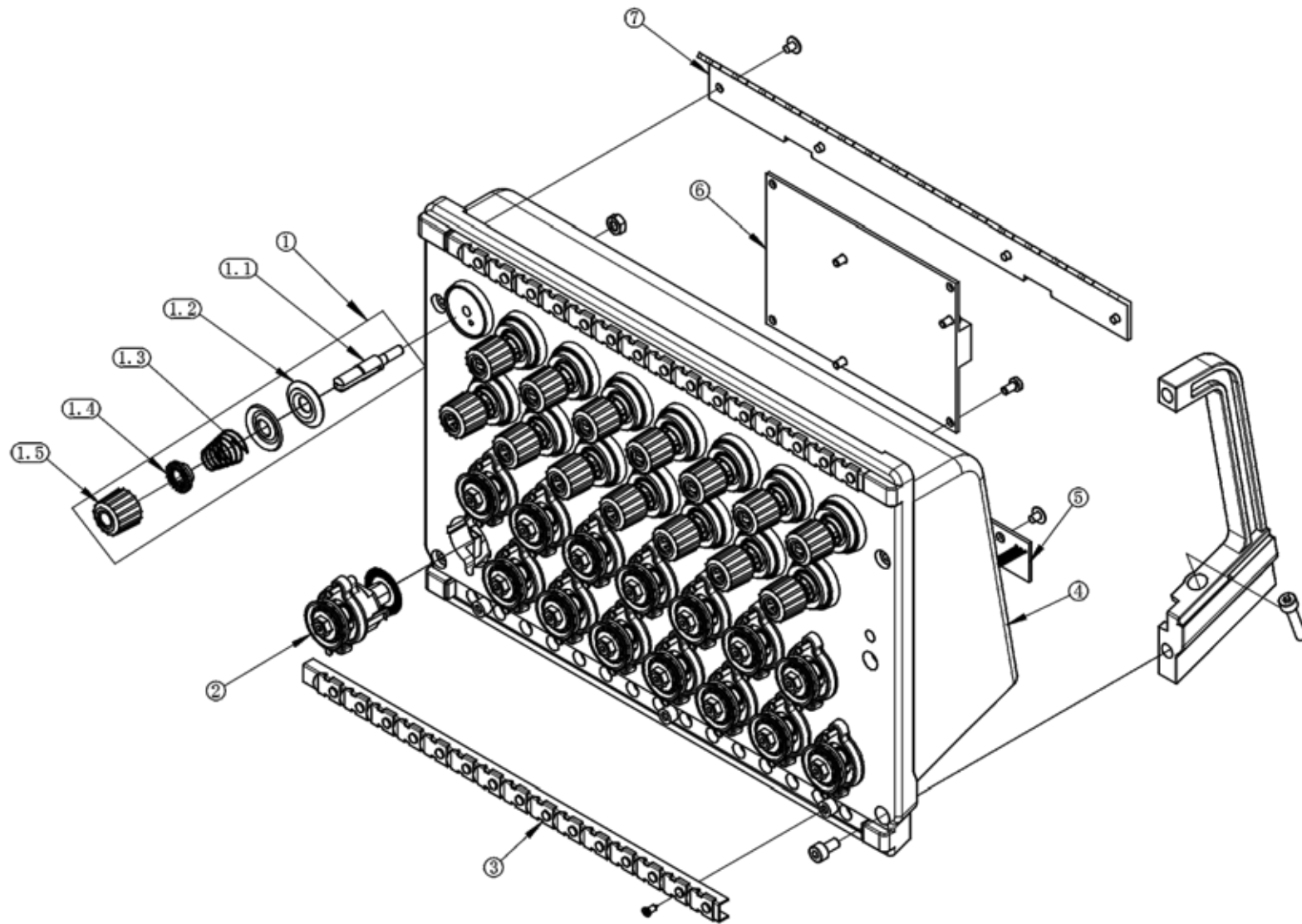
*texi* 1501 TS

## 08.Thread Stand

No.	Serial No.	Part name	Remark
1	03144260	Adjusting knob assembly-gray	
1.1	03144207	Wire clamping knob - wheel	
1.2	03044155	Locking washer	
1.3	03144209	Spring	
1.4	03144202	Press plate	
1.5	80211104	Felt gasket	

No.	Serial No.	Part name	Remark
1.6	03144208	Wiring nail - wheel	
1.7	03141001	Threading base	
2	03044360	Threading pipe	
3	80211007	Stand B25	
4	80211008	Cushion B5	
5	80211009	Foam rubber cushion	

# 09.Thread Tension Base



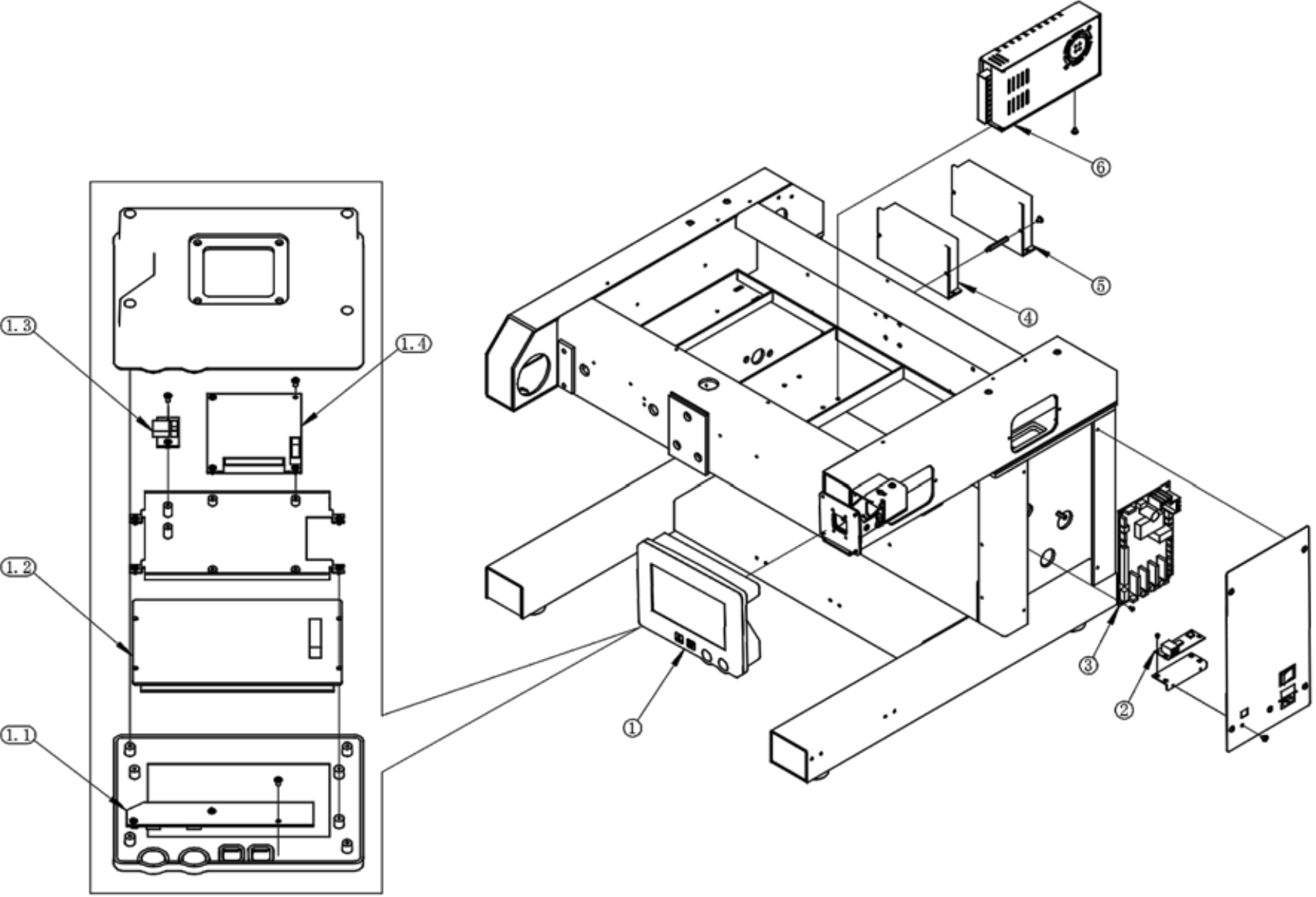
*texi* 1501 TS

## 09.Thread Tension Base

No.	Serial No.	Part name	Remark
1	03144254	Adjusting knob – yarn trapper	
1.1	03144208	Wiring nail - wheel	
1.2	03144202	Press plate	
1.3	03144224	Spring	
1.4	03144226	Lock washer - wheel	
1.5	03144207	Wire clamping knob - wheel	

No.	Serial No.	Part name	Remark
2	03144252	Thread course wheel module-bearing	
3	03144353	Thread course board-15	
4	RCM-DJ1V12A	Optical coupling plate-Thread break detection	
5	03150802MT	Head indicator board	
6	HEAD2V22B	Arm plate-wheel-solenoid	
7	03144310	Thread guide support plate – 15 needles	

# 10. Electrical Part



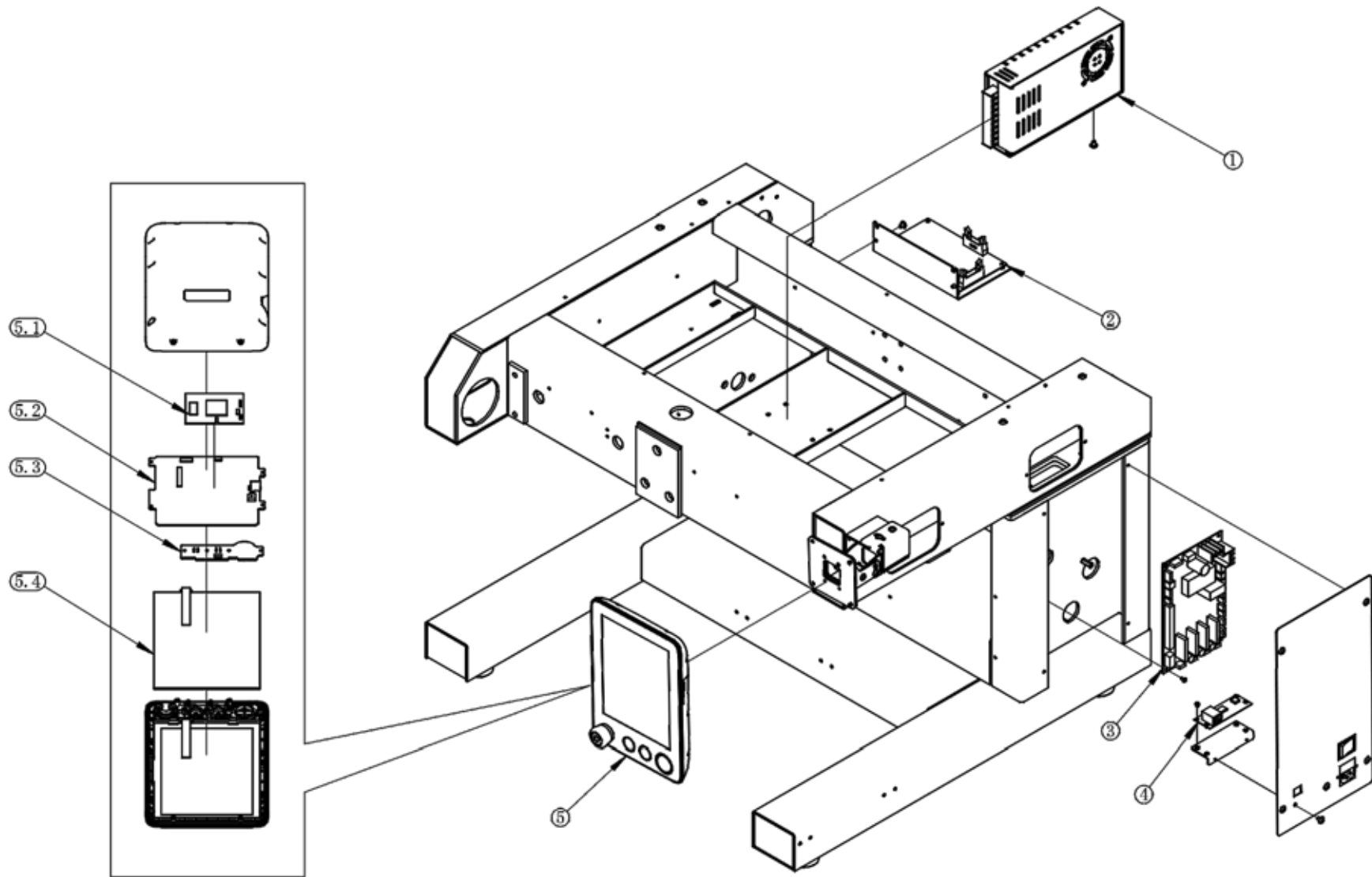
*texi* 1501 TS

# 10. Electrical Part

No.	Serial No.	Part name	Remark
1	03151561MT	Control panel module-MT	
1.1	RCM-KEY4V21	Keyboard plate	
1.2	B7084TZ	Touch Screen	
1.3	USB1V12	USB interface plate	
1.4	RMBD2V13001	Main board	

No.	Serial No.	Part name	Remark
2	RCM-ENET1V12	Network interface plate	
3	RCM-SMR2V33-C	Multi-function board	
4	80.RCM3P3600B	X Y axis driver)	
5	80.RCMSV360002	Main driver	
6	PDF-350-36	Switching power supply	

# 10. Electrical Part-MT-1T-8S



*texi* 1501 TS

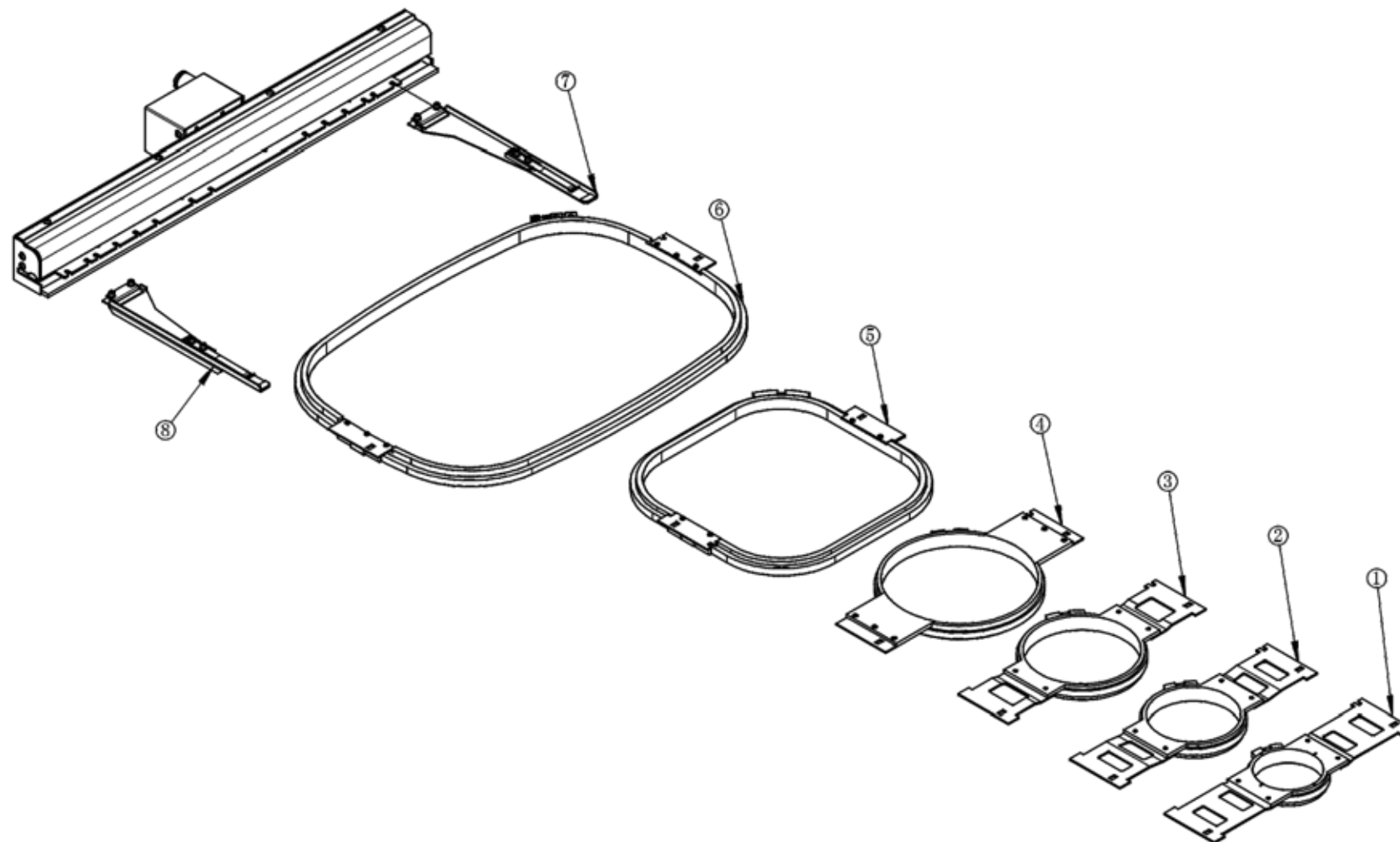
# 10.Electrical Part-MT-1T-8S

No.	Serial No.	Part name	Remark
1	PDF-350-36	Switching power supply	
2	80.RCM3IN10302	3-in-1 driver	
3	81.RMFA4V30DOOR	Mutliti-function board	
4	RCM-ENET1V12	Network interface board	
5	03151568MT	Control panel-P8-MT	

No.	Serial No.	Part name	Remark
5.1	81.0T1788B00R2	Main board	
5.2	RCM-SSMFD6Y3C	DSP board	
5.3	RCM-KEY8V21	Keyboard plate	
5.4	EJ080NA-058	Touch Screen	



# 11.Frame



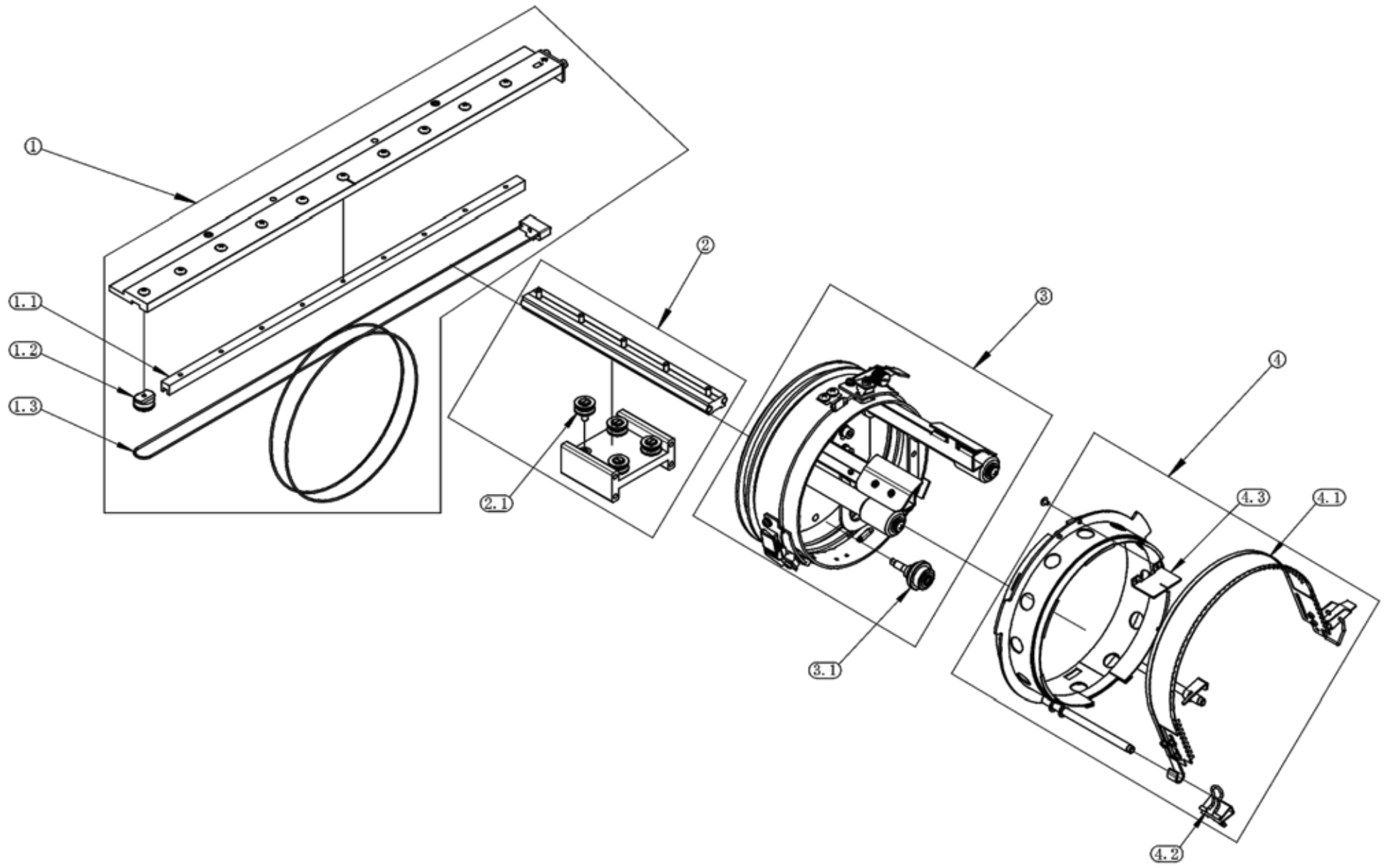
*texi* 1501 TS

# 11.Frame

No.	Serial No.	Part name	Remark
1	03171181	Round frame-90	
2	03171681	Round frame-120	
3	03172181	Round frame-150	
4	03172681	Round frame-200	

No.	Serial No.	Part name	Remark
5	03173181	Square frame-290x290	
6	03173691	Square frame-540x360	
7	03100291	Frame bracket module-R	
8	03100292	Frame support module-L	

# 12.Cap Frame



*texi* 1501 TS

# 12.Cap Frame

序号	编号	零件名称	备注
1	02815042	帽架驱动连接板套件-P-MT	
1.1	02815002	帽架驱动条	
1.2	02815008	钢丝轮	
1.3	02815052	帽架钢丝套件-P-MT	
2	02815039	直线导轨套件RCM-220(长)	
2.1	02815032	导轨滚轮-G15	

No.	Serial No.	Part name	Remark
3	02815082	Hat rack-big shuttle box	
3.1	02810161	Eccentric wheel	
4	02811080	Clamp ring	
4.1	02811082	Cap strapping rod	
4.2	02811055	Clamp ring	
4.3	02811006	Positioning block	