

texi[®]

texi POWER 550S

Enjoy the silence, save energy



Energy-saving, universal, single-phase 220 - 240 V AC Servo motor with 550 W power and maximum rotation 5 000 per minute. Works only when the machine is sewing (no idling running). Even though its power exceeds previously used electronic and standard clutch motors, it saves 70% energy. Quiet operation, compact size, high efficiency, wide range of speed and easy installation are the main advantages of TEXI POWER 550S motor. With the use of external synchronizer motor enables needle positioning - setting needle in lower or upper position (TEXI POWER SYNCHRONIZER is an option). Perfect for one or two needle lockstitch machines, overlocks, interlocks, blind stitch machines, multi-needle machines etc.

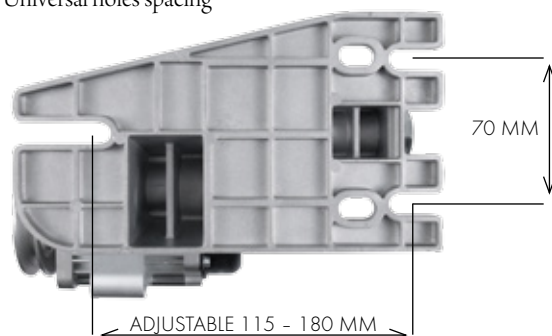
Set with: control box, v-belt with belt cover, power supply cord 2 m long, lever pedal-motor, assembly plate with standard holes spacing (the same as in clutch motors), assembly screws, power plug 230 V.

Change your old clutch motor for modern **texi** POWER 550S

EASY TO REPLACE

Enjoy the silence, save energy

Universal holes spacing



SALES ON-LINE

www.strima.com

Producer reserves the right to introduce, without notice, changes in technical parameters, equipment and specification of offered devices.

