

texi®

texi POWER 750S

Enjoy the silence, save energy



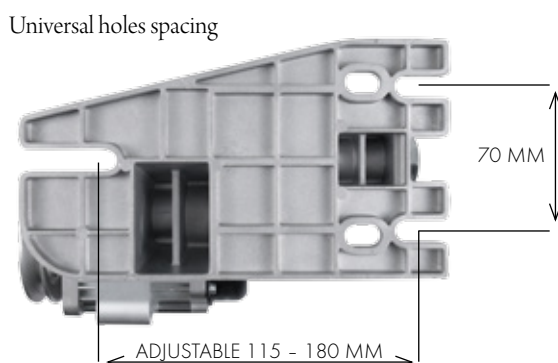
Energy-saving, universal, single-phase 220-240 V AC Servo motor with 750W power and maximum rotation 3.000 per minute. Works only when the machine is sewing (no idling running). Even though its power exceeds previously used electronic and standard clutch motors, it saves 70% energy. Quiet operation, compact size, high efficiency, wide range of speed and easy installation are the main advantages of TEXI POWER 750 S motor. With the use of external synchronizer motor enables needle positioning - setting needle in lower or upper position (TEXI POWER SYNCHRONIZER is an option). Perfect for two needle lockstitch machines, machines with compound and unison feed etc.

Set with: control box, v-belt with belt cover, power supply cord 2 m long, lever pedal-motor, assembly plate with standard holes spacing (the same as in clutch motors), assembly screws, power plug 230V.

Change your old clutch motor for modern **texi** POWER 750S

EASY TO REPLACE

Enjoy the silence, save energy



SALES ON-LINE

www.strima.com

Producer reserves the right to introduce, without notice, changes in technical parameters, equipment and specification of offered devices.

