

Parts list

High speed two needle lockstitch
sewing machine

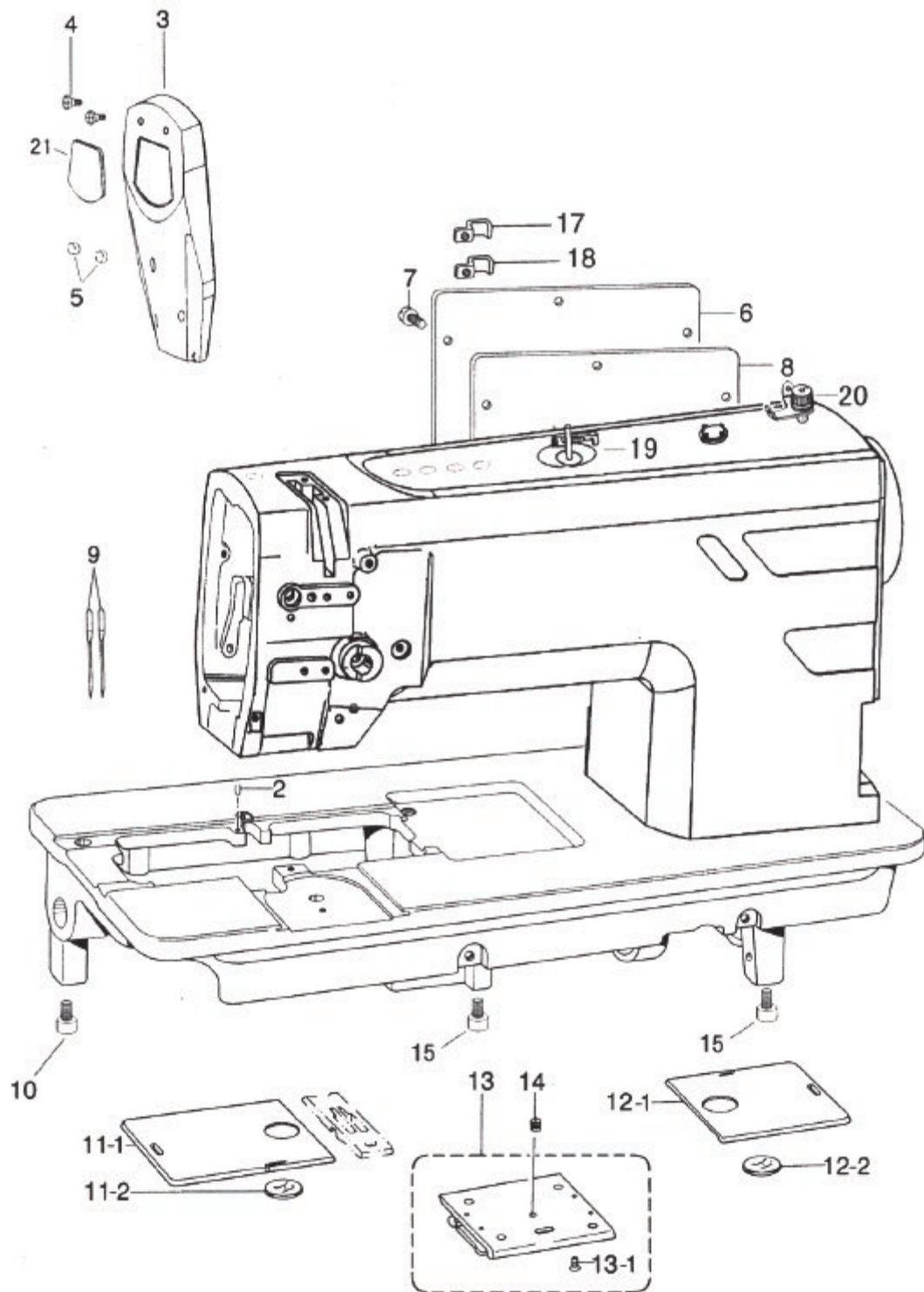
Twin MS

 ***texi***®

CONTENTS

1. Machine body	2
2. Upper shaft mechanism	4
3. Needle bar rocking mechanism	5
4. Needle flip-up mechanism	7
5. Presser foot mechanism	8
6. Feed mechanism	10
7. Feed shaft mechanism	12
8. Gauge parts	13
9. Rotary mechanism	14
10. Lower shaft mechanism	16
11. Lubrication	18
12. Accessories	21

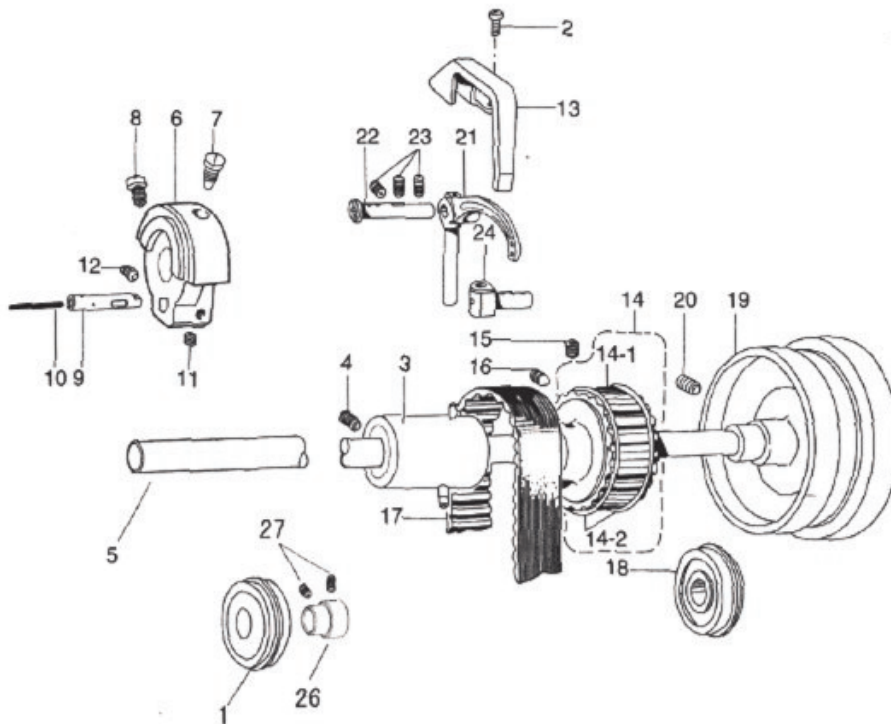
1. Machine body



1. Machine body

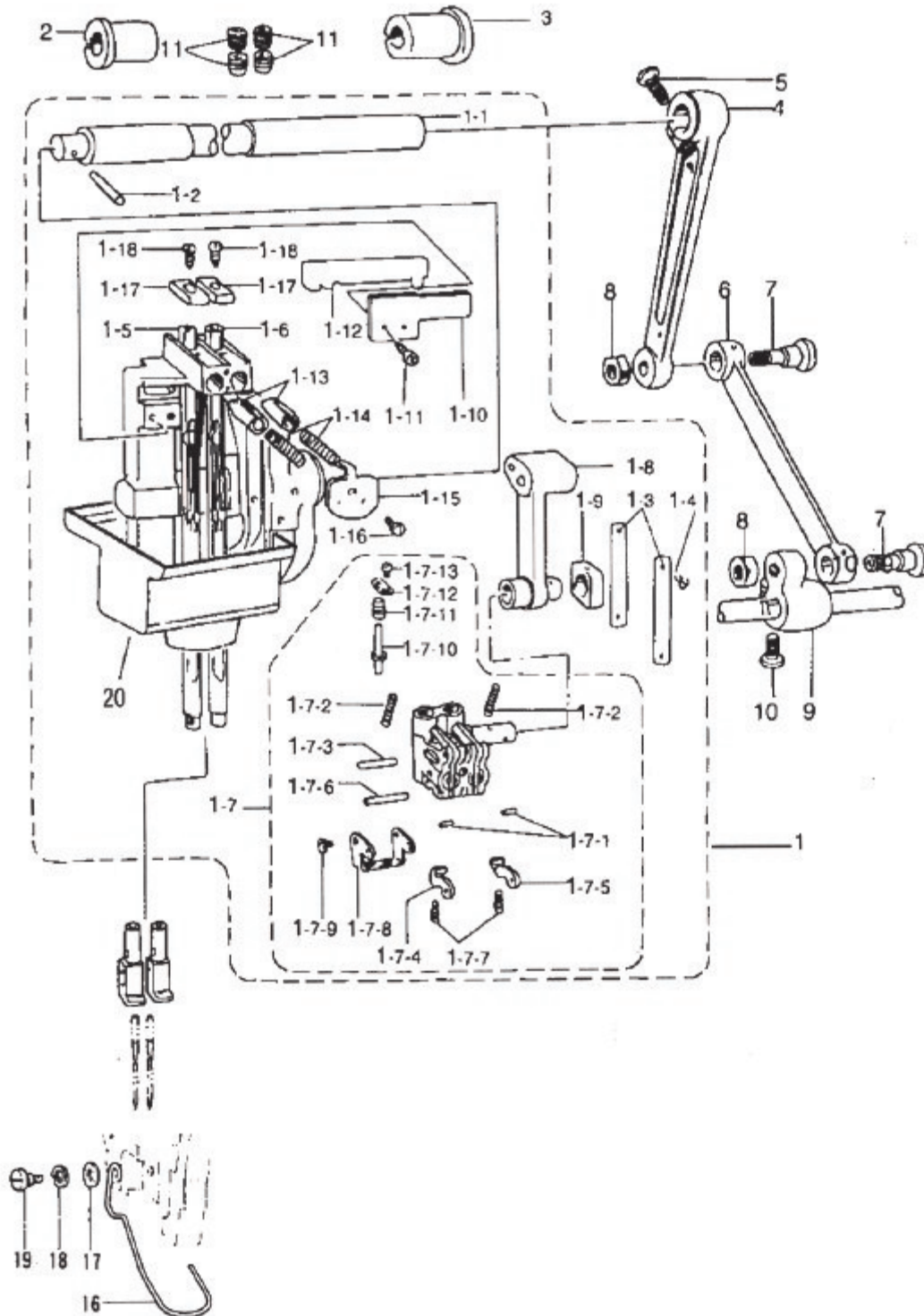
Ref. No.	Part No.	Description	QTY
2	10013612	POSITINING PIN	1
3	20003660	PACE PLATE	1
4	10006556	SHOULDER SCRING	3
5	10008977	RUBBER PLUG FOR FACE PLATE	2
6	20003546	REAR COVER	1
7	10013647	SCREW,PAN	7
8	10013362	GASKET OF SIDE COVER PLATE	1
9	10004858	NEEDLE DPX5 (135X5)	2
10	10013357	SCREW	1
15	10013358	SCREW	4
11	20000689	SLIDE APLTE ASSY (L)	1
11-1	10013558	SLIDE APLTE (L)	1
11-2	10013560	DOBBIN WINDOW	1
12	20000653	SLIDE PLATE ASSY (R)	1
12-1	10013605	SLIDE PLATE (R)	1
12-2	10013560	BOBBIN WINDOW	1
13	10006594	SLIDE PLATE ASSY (F)	1
13-1	10013563	SCREW, FLAT	4
14	10013637	SET SCREW	1
9	10004858	NEEDLE DPX5 (135X5)	2
9	10004869	NEEDLE DPX5 (135X5)	2
19	10002564	WINDER CLAMP	1
20	10013363	BOBBIN WINDER	1
21	10005468	REFLECTOC PLATE	1
17	10013524	CORD HOLDER (L)	1
18	10013524	CORD HOLDER (L)	1

2. Upper shaft mechanism



Ref. No.	Part No.	Description	QTY
1	10025882	FRONT BEARING OF UPPER SHAFT	1
2	10013598	SCREW,PAN	2
3	10013351	UPPER SHAFT BUSHING ASSY (M)	1
4	10013469	SET SCREW,SOCKET (CP)	1
5	10013457	UPPER SHAFT	1
6	10013413	THREAD TAKE-UP CRANK	1
7	10013441	SCREW	1
8	10013438	SET SCREW	1
9	10013305	NEEDLE BAR CRANK	1
10	10008097	WICK (L=34)	1
11	10013443	SET SCREW,	1
12	10013405	SET SCREW,	1
13	20003612	THREAD TAKE-UP CRANK	1
14	10006334	TIMING PULLEY (U) ASSY	1
14-1	10013466	TIMING PULLEY (U)	1
14-2	10006476	TIMING PULLEY RING	2
19	20003605	PULLEY,ST	1
19	20003663	PULLEY,TR	1
15	10013465	SET SCREW,SOCKET (CP)	1
16	10013467	SET SCREW,SOCKET (CN)	1
17	10007970	TIMING BELT	1
18	10025881	BALL BEARING,6204ZZNR	1
19	20003605	PULLEY,ST	1
20	10013470	SET SCREW,(CP)	2
21	10006490	THREAD TALE-UP,S3 TR	1
22	10013406	THREAD TAKE-UP SHAFT	1
23	10013469	SET SCREW,SOCKET (CP)	3
24	10013347	THREAD TAKE-UP LEVER LINK POLE	1
26	10013412	BEARING BUSH	1
27	10013465	POSITION SCREW	2

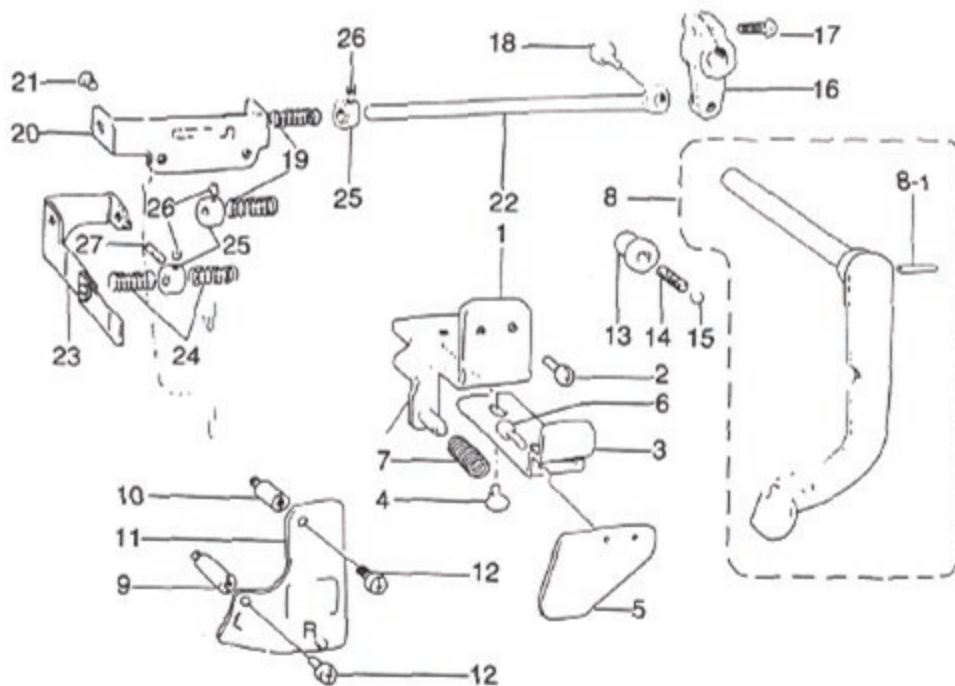
3. Needle bar rocking mechanism



3. Needle bar rocking mechanism

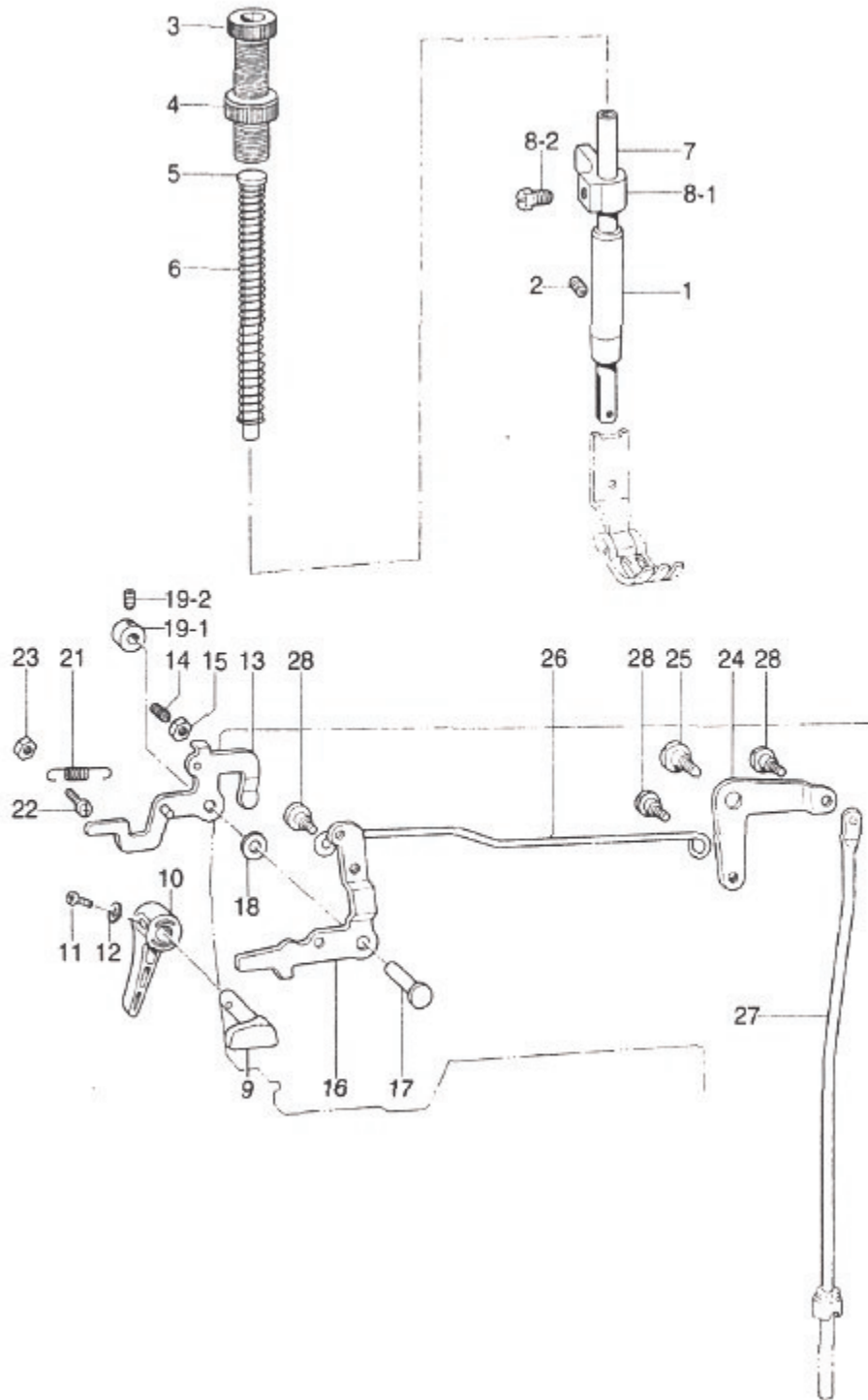
Ref. No.	Part No.	Description	QTY
1	10013374	NEEDLE BAR ROCK SHAFT ASSY	1
1-5	10006496	NEEDLE BAR (L) ASSY	1
1-6	10006492	NEEDLE BAR (R) ASSY	1
1-1	10013607	NEEDLE BAR ROCK SHAFT	1
1-2	10002813	PIN, TAPER	1
1-3	10013400	GUIDE PLATE	1
1-4	10006436	SCREW, FLAT SM2.38	1
1-7	10013426	NEEDLE BAR CLAMP ASSY	1
1-7-1	10013423	PIN, 1.5X5.8	2
1-7-2	10013429	SPRING, CLUTCH LEVER	2
1-7-3	10013432	PIN, 2X15.8	1
1-7-4	10006460	CLUTCH STOPPER (L)	1
1-7-5	10006459	CLUTCH STOPPER (R)	1
1-7-6	10013423	PIN, 2X17.8	1
1-7-7	10013430	SPRING	1
1-7-8	10013428	SPRING HOLDER	1
1-7-9	10013425	SCREW, SM2.38	1
1-7-10	10006461	PIN	2
1-7-11	10006458	SPRING, RELEASE PIN	1
1-7-12	10006464	PIN COVER	1
1-7-13	10006466	SCREW, SM2.38	1
1-8	10006443	NEEDLE BAR CRANK ROD	1
1-9	10013386	SLIDE BLOCK	1
1-10	10013343	SLIDE BLOCK GUIDE PLATE	1
1-11	10013643	SCREW, PAN SM3.57-40X8	2
1-12	10006463	SLIDE BLOCK ASSY	1
1-13	10013383	NEEDLE BAR STOPPER	2
1-14	10013389	SPRING, NEEDLE BAR STOPPER	2
1-15	10013377	SPRING COVER	1
1-16	10013382	SCREW, BIND SM3.18-40X5	2
1-17	10006444	NEEDLE BAR ROTATE STOPPER	2
1-18	10013376	SCREW, SM3.18	2
2	10013471	NEEDLE BAR ROCK SHAFT BUSH (L)	1
3	10013495	NEEDLE BAR ROCK SHAFT BUSH (R)	1
4	10013641	NEEDLE BAR ROCK CONNECTING ROD	1
5	10013348	SCREW, SM6.35	1
6	10013395	NEEDLE BAR ROCK LINK	1
7	10013393	NEEDLE BAR ROCK LINK SHAFT	2
8	10013398	NUT, SM7.94	2
9	10013401	NEEDLE BAR CONNECTING CRANK	1
10	10013403	SCREW, SM6.35x18	1
11	10013385	SET SCREW, SOCKET (CP) SM7.94	4
16	10013646	FINGER GUARD	1
17	10013639	WASHER, PLAIN5	1
18	10013645	WASHER, SPRING 2-4.37	1
19	10013648	SHOULDER SCREW SM3.57	1
20	10013409	OIL SEAL COVER	1

4. Needle bar flip-up mechanism



Ref. No.	Part No.	Description	QTY
1	10013411	INDICATION PLATE ASSY	1
2	10013655	SCREW, PAN SM4.76-32X10	2
3	10013338	PUSH LEVER	1
4	10013410	SCREW	2
5	10013334	PUSH LEVER PLATE	1
6	10013598	SCREW, PAN SM3.57-40X5	2
7	10013335	SPRING	1
8	10013337	STOP LEVER SHAFT ASSY	1
8-1	10006428	PIN, SPRING 3X18	1
9	10013314	STUD (L)	1
10	10013309	STUD (S)	1
11	10013331	FLIP-UP HOLDER PLATE ASSY	1
12	10013655	SCREW, PAN 4.36-32X10	2
13	10013312	BALL GUDE BUSH	1
14	10013319	SPRING	1
15	10013306	BEARING BALL 1/4	1
16	10013332	LEVER SHAFT ARM	1
17	10013333	SCREW PAN SM4.76-32X14	1
18	10013340	SHOULDER SCREW, SM4.37	1
19	10013387	SPRING	2
20	10013342	SLIDE SHAFT BRACKET	1
21	10013603	SCREW, PAN SM4.37-40X8	2
22	10013339	SLIDE SHAFT	1
23	10013378	SLIDE SHAFT SOUPPORT PLATE	1
24	10013388	PLATE SPRING	2
25	10013375	SET SCREW COLLAR	3
26	10013379	SET SCREW, (FT) SM3.57	5
27	10013381	GUIDE SCREW	1

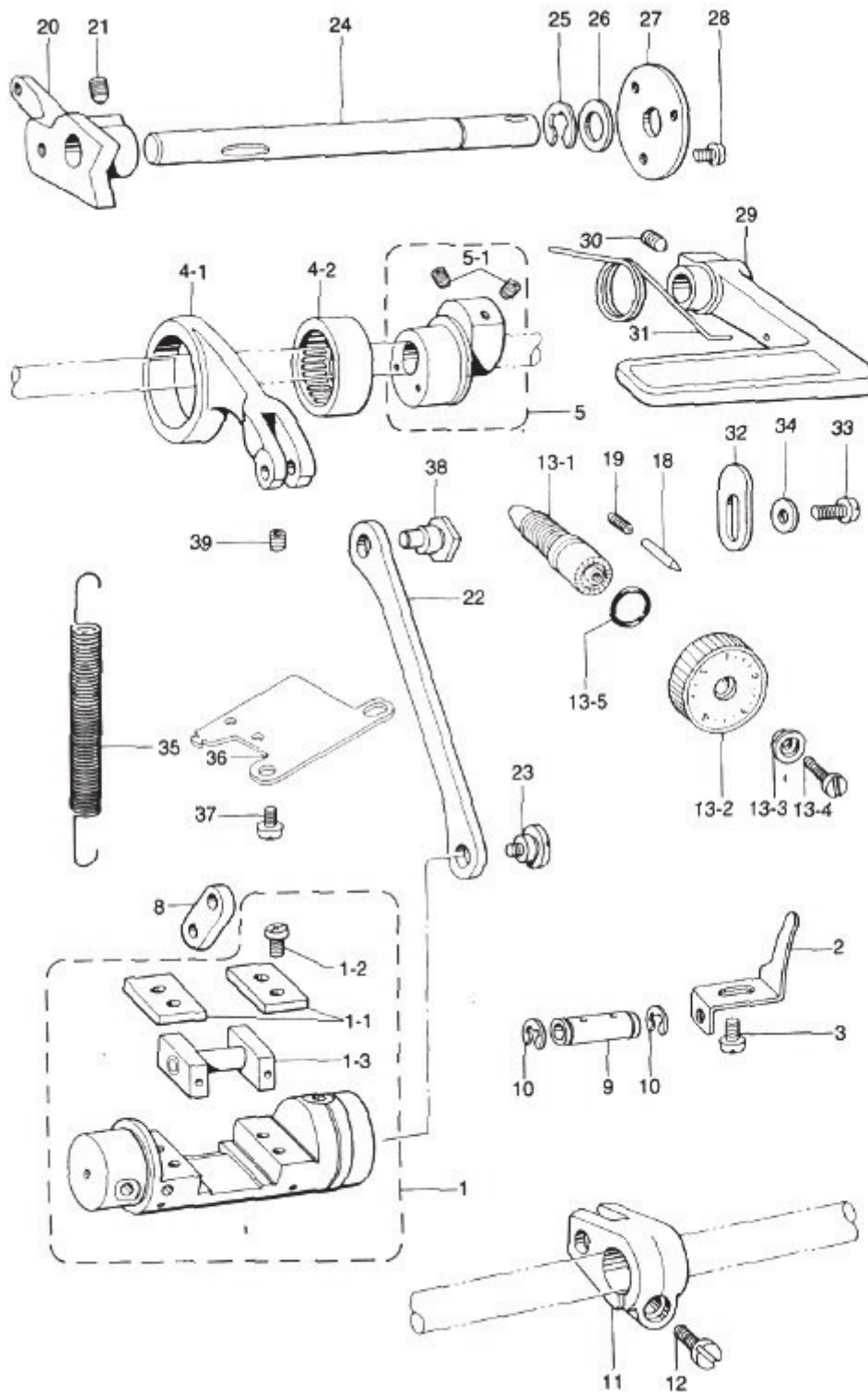
5. Presser foot mechanism



5. Presser foot mechanism

Ref. No.	Part No.	Description	QTY
1	10010841	PRESSER BAR BUSH	1
2	10013469	SET SCREW,SOCKET (CP)	1
3	10013237	PRESSER ADJUST SCREW	1
4	10013240	PRESSER ADJUST NUT	1
5	10012155	SPRING GUIDE	1
6	10013251	PRESSER SPRING	1
7	10013247	PRESSER BAR	1
8	20001253	PRES.BAR GUIDE BRACKET W/SCR	1
8-1	10013584	PRESSER BAR GUIDE BRACKET	1
8-2	10013591	BOLT	1
9	10013284	PRESSER BAR LIFTER STUD	1
10	10013229	PRESSER BAR LIFTER	1
11	10012154	SCREW,PAN	1
12	10012156	WASHER	1
13	10013589	TENSION RELEASE PLATE ASSY	1
13	10013578	TENSION RELEASE PLATE TR	1
14	10013223	SET SCREW	1
15	10013246	NUT	1
16	10013587	PRESSER BAR LIEER LEVER	1
13	10013578	TENSION RELEASE PLATE TR	1
16	10013587	PRESSER BAR LIFER LEVER	1
17	10013245	PRESSER BAR LIFTER LEVER SHAFT	1
18	10013220	WASHER	1
19-1	10013594	SETSCREW COLLAT	1
19-2	10013590	SET SCREW,SOCKET,SOCKET	2
21	10013224	SPRING	1
21	10013224	SPRING	2
22	10013223	SCREW,PAN	1
23	10013246	NUT	1
24	10006591	KNEE LIFTER LEVER	1
25	10013250	SHOULDER SCREW	1
26	10013593	KNEE LIFTER CONNECTING ROD	1
27	10013593	KNEE LIFTRE BAR	1
28	10013217	SHOULDER	3

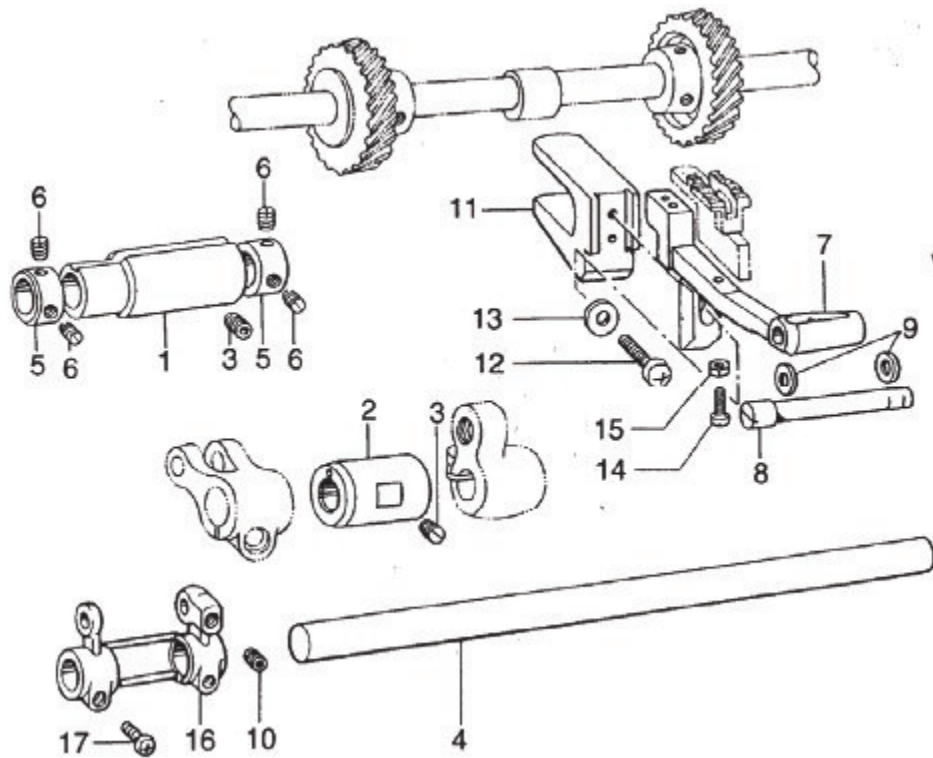
6. Feed mechanism



6. Feed mechanism

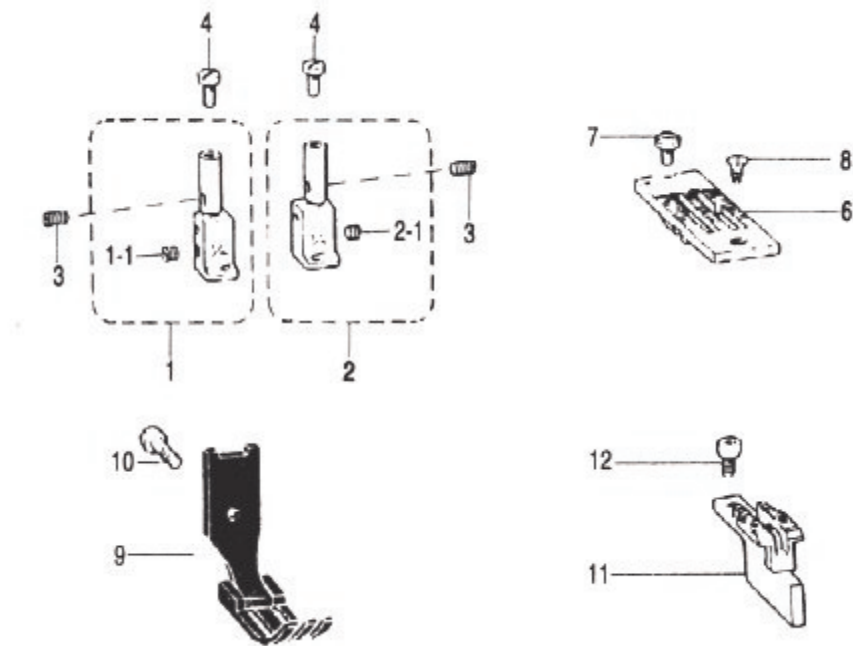
Ref. No.	Part No.	Description	QTY
1	10013435	FEED REGULATOR ASSY	1
1-1	10006583	SLIDE BLOCK GUIDE PLATE	2
1-2	10013647	SCREW,PAN	4
1-3	10006500	FEED REGULATOR SLIDE BLOCK A.ASSY	1
2	10013476	FEED REGULATOR STOPPER	1
3	10013499	SCREW,PAN	1
4	20001071	FEED ROCK CONNECTING ROD ASSY	1
4-1	10013507	FEED ROCK CONNECTING ROD	1
4-2	10013554	NEEDLE BEARING	1
5	10013551	LEVEL ECCENTRIC WHEEL WITH SCR	1
5-1	10013465	SET SCREW,SOCKET	2
8	10013552	FEED ROCK ARM LINK	1
9	10013581	FEED ROCK RING,SHAFT	1
10	10013582	RETAINING RING,E6	2
11	10013579	FEED ROCK ARM	1
12	10013403	SCREW	1
13	20001299	STITCH CONTROL DIAL ASSY	1
13-1	10013233	STITCH CONTROL SCREW	1
13-2	10013367	STITCH CONTROL DIAL	1
13-3	10012150	LENGTH CONTROL PLATE SUPPORT	1
13-4	10014409	SCREW	1
13-5	10012151	O RING	1
18	10012153	POSITIONING PIN	1
19	10012152	SPRING	1
20	10013546	FEED REGULATOR	1
21	10013544	SET SCREW,SOCKET	1
22	10013547	FEED REGULATOR CONNECTING ROD	2
23	10013503	SHOULDER SCREW	1
25	10013248	RETAINING RING	1
26	10013508	WASHER,PLAIN S 10	1
27	10013512	WASHER	3
28	10013518	SCREW PAN	1
31	10013501	SPRING	1
32	10013475	REVERSE LEVER STOPPER	1
33	10013655	SCREW PAN	1
34	10013691	SCREW PLAIN	1
35	10013500	SPRING,FEED REGULATOR	1
36	10013234	SPRING HOOK	1
37	10013499	SCREW,PAN	2
38	10013553	FEED REGULATOR ECCENTRIC WHEEL SHAFT	1
39	10013538	SET SCREW,SOCKET	1
24	10013451	REVERSE STITCH LEVER SHAFT,ST	1
29	20003634	REVERSE LEVER ST.	1
30	10013544	SET SCREW, SOCKET	1

7. Feed shaft mechanism



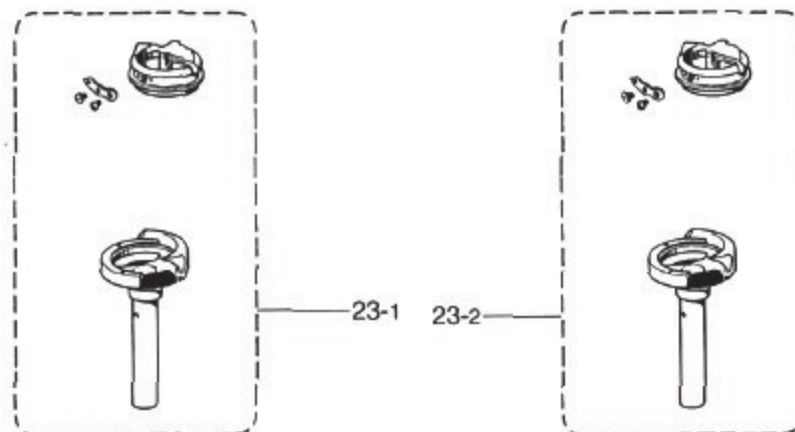
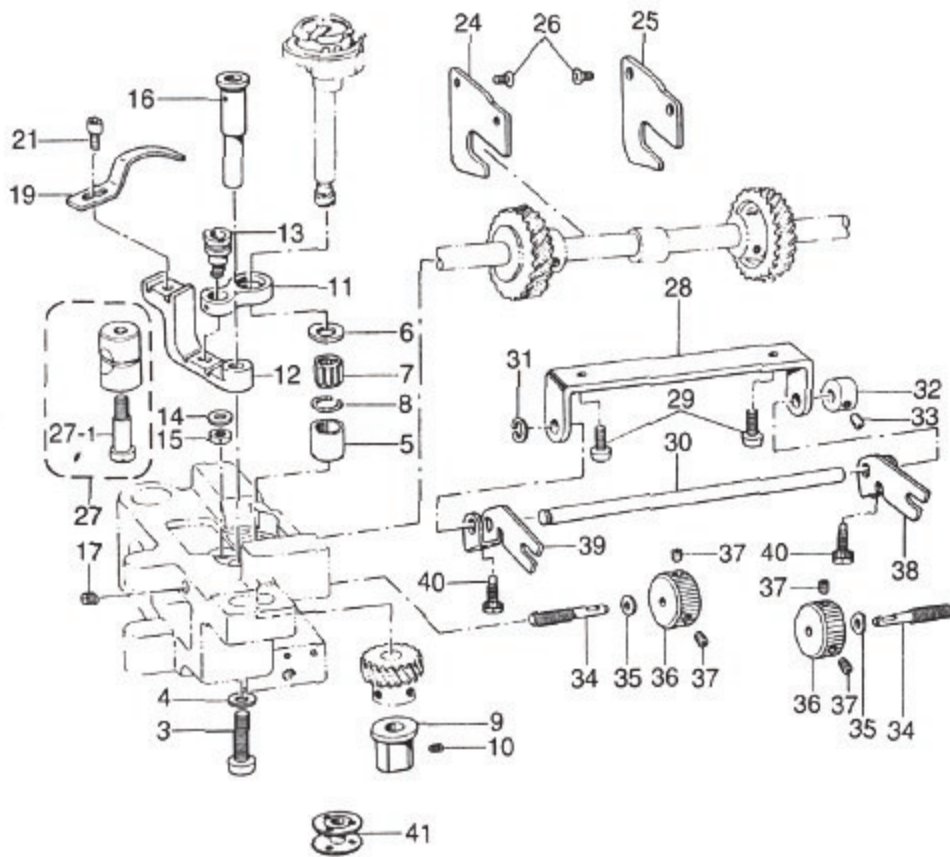
Ref. No.	Part No.	Description	QTY
1	10013471	FEED SHAFT BUSH (L)	1
2	10013495	FEED SHAFT BUSH (R)	1
3	10013469	SET SCREW, SOCKET (CP) SM6.35	2
4	10013498	FEED ROCK SHAFT	1
5	10013517	SET SCREW COLLAR	2
6	10013441	SET SCREW, SM6.35	4
7	10013505	FEED BAR, ST	1
8	10013510	FEED BAR SHAFT	1
9	10013514	THRUST RING	2
10	10011314	SET SCREW, SOCKET SM5.95	1
11	10013506	FEED BAR FORK	1
12	10013513	SCREW, PAN SM5.95-28X14	1
13	10013509	WASHING, PLAIN S6	1
14	10013519	SCREW, PAN SM3.18-40X12	1
15	10013516	NUT, 1 SM3.18	1
16	10013515	FEED ROCK BASE ARM	1
17	10013541	SCREW, PAN SM4.37-40X12	2
7	10013571	FEED BAD, TR	1

8. Gauge parts



Ref. No.	Part No.	Description	QTY
1		NEEDLE CLAMP (L) ASSY	1
1-1	10013427	SET SCREW, (CP) SM3.18X4	1
1-2	10013424	NEEDLE CLAMP (L)	1
2		NEEDLE CLAMP (R) ASSY	1
2-1	10013427	SET SCREW, (CP) SM3.18X4	1
2-2	10013392	NEEDLE CLAMP (R)	1
3	10013391	SET SCREW, SM3.18	2
4	10013431	SET SCREW, SM3.18	2
7	10013608	SCREW, SM3.18	1
8	10013611	SCREW,FLAT SM4.37	1
10	10013221	SCREW, SM3.57	1
12	10013542	SCREW, SM3.18	2
6	10013308	NEEDLE FLATE ASSY	1
9	10006609	PRESSER FOOT ASSY	1
11	10013540	FEED DOG	1
6	10013529	NEEDLE FLATE ASSY	1
9	10006599	PRESSER FOOT ASSY	1
11	10006600	FEED DOG	1

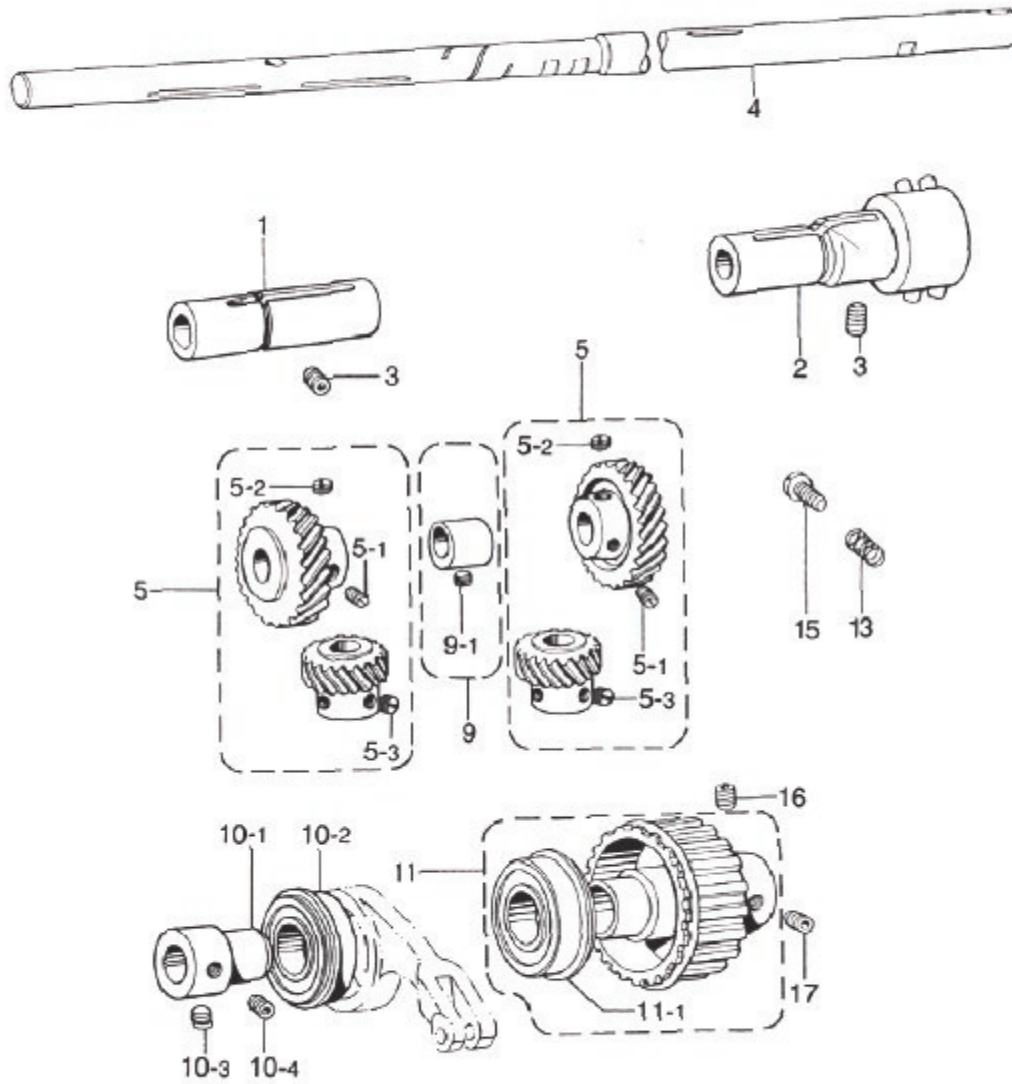
9. Rotary mechanism



9. Rotary mechanism

Ref. No.	Part No.	Description	QTY
3	10013676	SCREW, PAN	2
4	10013678	WASHER	2
5	10013708	ROTARY HOOK SHAFT BUSH (U)	2
6	10027572	THRUST RING	2
7	10013711	NEEDLE BEARING	2
8	10013713	STOP RING	2
9	10013688	ROTARY HOOK SHAFT BUSH (D)	2
10	10013652	SET SCREW, (CP)	2
11	10013654	OPENER LINK	2
12	10013684	OPENER LEVER	2
13	10013712	OPENER LINK SHAFT	2
14	10013691	WASHER,PLAIN	2
15	10013710	NUT	2
16	10013686	OPENER LEVER SHAFT	2
17	10013649	SET SCREW,(CP)	2
19	10013651	OPENER	2
21	10006624	BOLT,SOCKER	2
24	10013650	GEAR GUIDE (L)	1
25	10013717	GEAR GUIDE (R)	1
26	10013601	SCREW, FLAT SM3.57	4
27	10013720	PINCH SLEEVE ASSY	2
27-1	10006684	SCREW, SM5.95	2
28	10013677	ADJUST BAR SUPPORT	1
29	10013655	SCREW, PAN SM4.76-32X10	1
30	10013722	ADJUST BAR	2
31	10009653	RETAINING RING, E4	1
32	10013517	SET SCREW COLLAR	1
33	10013441	SET SCREW, SOCKET (CP) SM4.37	1
34	10013474	ROTRY HOOK BASS ADJUST SCREW	2
35	10013477	WASHER, PLAIN S 4.37	2
36	10013473	ROTARY HOOK BASE ADJUST DIAL	2
37	10013721	SET SCREW, SOCKET (CP) SM4.37	4
38	10013496	PRESET LEVER (R)	1
39	10013472	PRESET LEVER (L)	1
40	10013502	NEEDLE SET SCREW, SM3.57	2
23-1	10013749	ROTARY HOOK ASSEMBLY	1
23-2	10013749	ROTARY HOOK ASSEMBLY	1
41	10013653	BOBBIN, ST	2
23-1	10013751	ROTARY HOOK ASSEMBLY TR	1
23-2	10013751	ROTARY HOOK ASSEMBLY TR	1

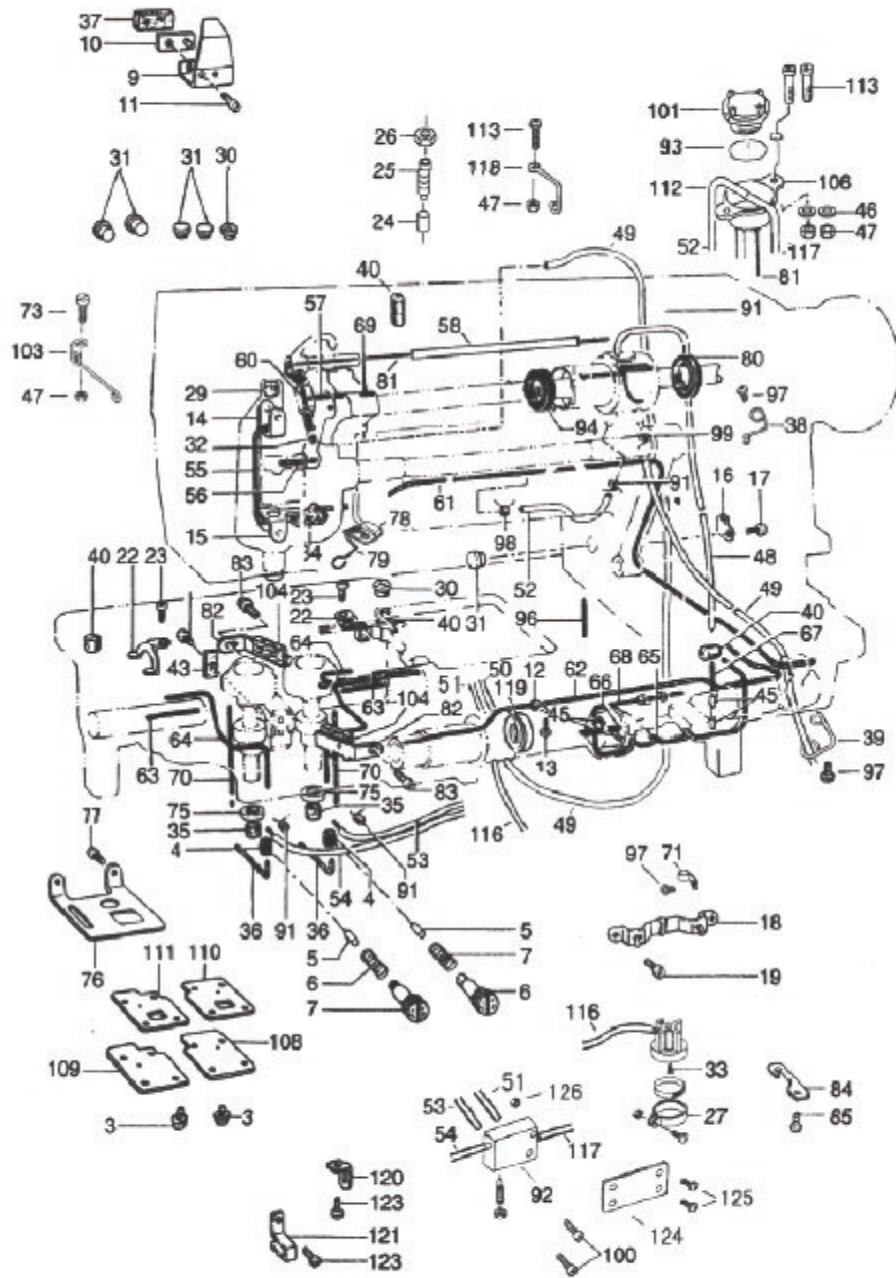
10. Lower shaft mechanism



10. Lower shaft mechanism

Ref. No.	Part No.	Description	QTY
1	10013682	ROTARY HOOK BASE BUSH L	1
2	20001236	ROTARY HOOK BASE BUSH ASSY (R)	1
3	10013469	SET SCREW, SOCKET (CP) SM6.35	2
4	10013231	LOWER SHAFT, ST	1
4	10013418	LOWER SHAFT, TR	1
5	10006678	SPIRAL GEAR ASSY (A)	2
6	10006679	SPIRAL GEAR ASSY (A)	2
5-2	10006660	SET SCREW, SM6.35	2
5-1	10013685	SET SCREW, SM6.35	4
5-3	10006338	SET SCREW, (CP) SM6.35	6
9	10013212	VERTICAL FEED ECCENTRIC WHEEL ASSY	1
9-1	10013685	SET SCREW, SM6.35	1
10-1	10013715	BALL BEARING ASSY	1
10-2	10025882	BALL BEARING, 6004ZZNR	1
10-3	10013467	SET SCREW, SOCKET (CN) SM6.35	1
10-4	10013465	SET SCREW, SOCKET (CP) SM6.35	1
11	10006332	TIMING PULLEY D ASSY SET	1
11-1	10025881	TIMING PULLEY D ASSY	1
13	10012609	PLUNGER	1
14	10013238	PLUNGER SPRING	1
15	10013232	SCREW, SM6.35X5	1
16	10013465	SET SCREW, SOKCET (CNP) SM6.35	1
17	10013467	SET SCREW, SOKCET (CN) SM6.35	1

11. Lubrication



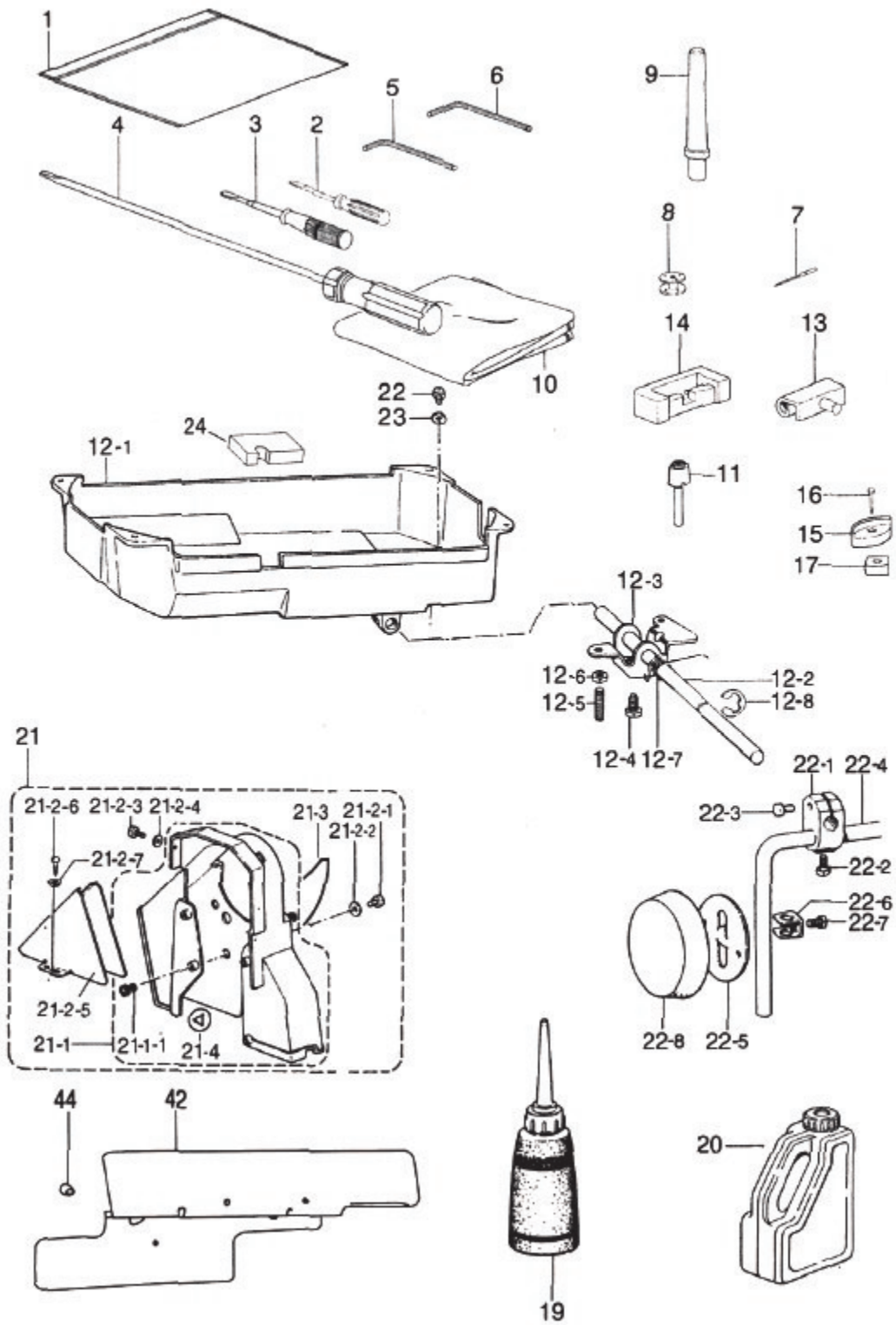
11. Lubrication

Ref. No.	Part No.	Description	QTY
3	10013258	SCREW, PAN SM3.57-40X8	8
4	10013266	RUBBER RING	2
5	10013261	RUBBER ORESSER	2
6	10013290	OIL ADJUST SCREW	2
7	10013252	OIL ADJUST SPRING	2
9	10013489	OIL STOPPER PLATE	1
10	10013256	OIL STOPPER PLATE PRESSER	1
11	10013655	SCREW, PAN SM4.76-32X12	1
12	10013497	WICK SUPPORT	1
13	10013598	SCREW, BIND SM3.57-40X5	1
14	10013402	FELT SUPPORT (U)	1
15	10013346	FELT SUPPORT (D)	1
16	10013345	WICK SUPPORT	1
17	10013598	SCREW, PAN SM3.57-40X5	1
18	10013580	WICK SUPPORT	1
19	10013504	SCREW, PAN SM3.18-40X4	2
22	10013680	WICK HOLDER	2
23	10013598	SCREW, PAN SM3.57-40X5	2
24	10013244	OIL CONTROLLING WSSHER AT THE FRONT OF MACHINE	1
25	10013273	OIL CONTROLLING SCREW AT THE FRONT OF MACHINE	1
26	10013282	OIL CONTROLLING NUT AT THE FRONT OF MACHINE	1
27	20001065	OIL FILTER SETS	1
29		FELT	1
30	10013583	OIL CAP	2
31	10013586	OIL CAP	6
32		OIL CAP	1
33	10009101	ASSEMBLY SCREW OF OIL FILTER	1
34		FELT	2
35	10013253	CLUTCH FELT	2
36	10008091	FELT	2
37	10013668	FELT, THREAD TAKE-UP	1
38	10013272	UPPER OIL ELIMINETING TUBE STAND	1
39	10013276	LOWER OIL ELIMINETING TUBE STAND	1
40	10013254	FELT	2
43	10013539	FELT	1
44	10013543	SCREW, SM3.57	1
45	10013550	FELT	4
46		WASH GB170-86-c4	2
47		NUT GB6170-86-M4	2
48	10007800	OIL TUBE	1
49	10007800	OIL TUBE (L=750)	1
50	10007800	OIL TUBE (L=150)	1
51	10007800	OIL TUBE (L=150)	1
52	10007800	OIL TUBE (L=130)	1
53	10007800	OIL TUBE (L=200)	1
54	10007800	OIL TUBE (L=230)	1
55	10008091	WICK (L=200)	1
56	10008091	WICK (L=30)	1
57	10008091	WICK (L=18)	1
58	10008091	OIL TUBE (L=230)	1
60	10008091	WICK (L=40)	1
61	10008091	WICK (L=440)	1
62	10008091	WICK (L=350)	1

11. Lubrication

Ref. No.	Part No.	Description	QTY
63	10008091	WICK	2
64	10008091	WICK 4X4 (L=250)	2
65	10008091	WICK 4X4 (L=250)	1
66	10008091	WICK 4X4 (L=40)	1
67	10008091	WICK (L=35)	1
68	10008091	WICK (L=110)	1
69	10008091	WICK (L=25)	1
70	10008091	WICK (L=70)	2
71	10013272	OIL TUBE STAND	2
73	10010595	SCREW	1
75	10013259	SPACER	2
76	10013566	DUST PROTECTOR	1
77	10013598	SCREW, PAN SM3.57-40X5	2
78	10013274	OIL RETURN FELT BLOCK	1
79	10013281	FIXING STAND OF OIL RETURN FELT	1
80	10013448	OIL SEAL	1
81	10008091	WICK (L=480)	1
82	10013683	FELT PRESSER	2
83	10013598	SCREW, PAN SM3.57-40X5	2
84	10013289	TUBE SUPPRT BRACKET	1
85	10013269	SCREW, PAN SM3.57-40X6	1
91	10013449	TUBE CLIP	7
92	20001068	OIL SUPPLYING ADJUSTER SETS	1
93	10008939	SEAL	1
94	10013447	OIL SEAL	1
96	10008091	WICK (L=35)	1
97		SCREW	4
98	10013449	TUBE CLIP	3
99	10013449	TUBE CLIP	1
100	10010595	SCREW OF OIL SUPPLYING ADJUSTER	1
101	10008938	OIL SIGHT WINDOW	1
103	10013271	OILTHREAD STAND OF LEVER	1
104	10013693	FELT	2
106	20001064	OIL SPRAY TUBE	1
108	10013255	OIL SEAL R,SUB-TANK	1
109	10013263	OIL SEAL L,SUB-TANK	1
110	10013291	SUB-TANK COVER R	1
111	10013257	SUB-TANK COVER L	1
112	20001086	OIL SPRAY TUBE	1
113	10009037	SCREW	3
116	10007800	OIL TUBE (L=150)	1
117	10007800	OIL TUBE (L=460)	1
118	10007800	OIL THREAD STAND	1
119	10013716	OIL SEAT,PLUNGER PUMP	1
120	10013265	TUBE SUPPRT BRACKET L	1
121	10013262	OIL TUBE SUPPORT	1
122	10013264	WASHER	8
123	10013499	SCREW, PAN SM4.76-32X6	2
117	10007800	OIL TUBE (L=530)	1
124	10013420	PLATE	1
125	10013223	SCREW	2
126	10013246	NUT GB6170-86-M4	2

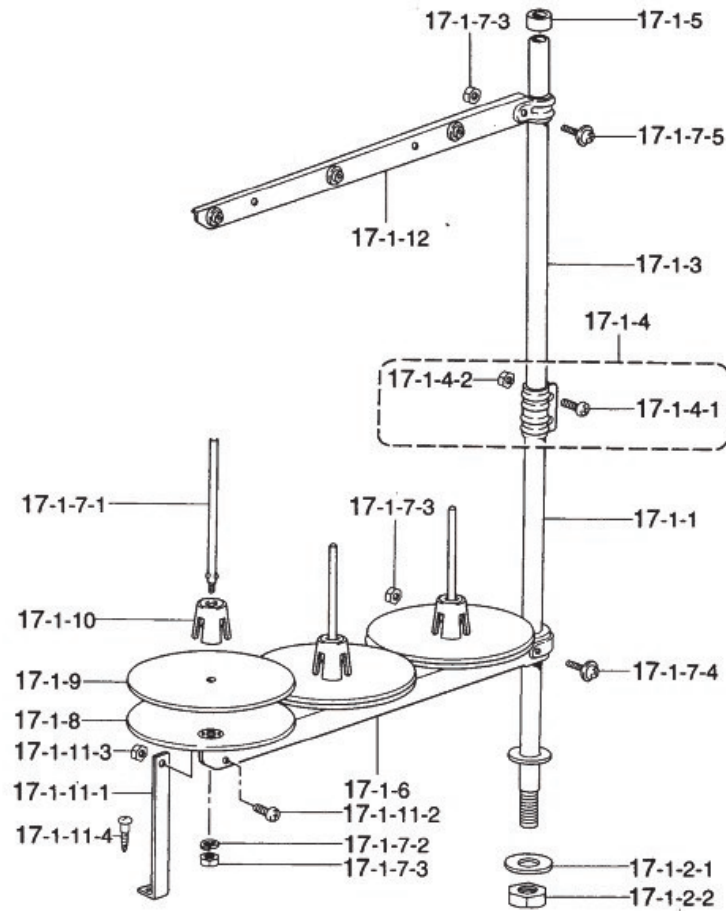
12. Accessories



12. Accessories

Ref. No.	Part No.	Description	QTY
1		ACCESSORY BAG	1
2	10010994	SCREW DRIVER, 1.9X52	1
3	10010995	SCREW DRIVER, 3.4X70	1
4	10013185	SCREW DRIVER, 4.7X250	1
5	10009683	HEXAGONAL WRENCH 2	1
6	10009685	HEXAGONAL WRENCH 3	1
7	10004858	NEEDLE DPX5 (135X5)	4
8	10013653	BOBBIN, ST	4
9	10013295	HEAD REST	1
10	10008197	WOOD SCREW, ROUND M5.5X20	1
11	10004399	HEAD COVER	1
12	20001049	OIL PAN ASSY	1
12-1	10013241	OIL PAN	1
12-2	10013592	KNEE LIFTER SHAFT	1
12-3	10006340	KNEE LIFTER	1
12-4	10004962	BOLT, SM5.95	1
12-5	10004962	SET SCREW, SM5.95	2
12-6	10004960	NUT, SM5.95	2
12-7	10004963	TWIST SPRING	1
12-8	10002559	RETAINING RING, E10	1
13	10004466	HEAD HINGE	2
14	10011041	RUBBER CUSHION	2
15	10012159	HEAD CUSHION	4
16	10003889	NAIL	8
17	10012158	OIL PAN CUSHION	4
19	10004455	OILER ASSY	1
20	20001784	OILER	1
22	10009991	OIL DRAINING SCREW	1
23	10009988	OIL DRAIN WASHER	1
24	10013300	OIL FILTER	1
21	10021674	BELT COVER ASSY	1
21-1	10006362	BELT COVER COLLAR ASSY	1
21-1-1	10013316	RUBBER COLLAR	4
21-2-1	10013296	SCREW, PAN SM4.76-32X20	4
21-2-2	10013293	WASHER, PLAIN L5	4
21-2-3	10013603	SCREW, PAN SM4.37-40X8	1
21-2-4	10013297	WASHER, PLAIN M 4.37	1
21-2-5	20003612	LOWER-BELT SHIELD	1
21-2-6	10004309	WOOD SCREW, ROUND M5.5X20	1
21-2-7	10012318	WASHER, PLAIN S 5.56	2
21-3	10006361	BELT COVER COLLAR	2
21-4	10013302	WASHER	1
22	10005710	KNEE LIFTER ASSY	1
22-1	10002562	KNEE LIFTER JOINT	1
22-2	10003894	BOLT, SM7.94	1
22-3	10003894	BOLT, SM5.95X20	1
22-4	10005640	KNEE LIFTER BAR	1
22-5	10003900	KNEE LIFTER PLATE	1
22-6	10003897	KNEE LIFTER PLATE STOPPER	1
22-7	10003894	BOLT, SM5.95	1
22-8	10004223	KNEE LIFTER PLATE COVER	1
42	10006516	HB SETTING PLATE #3	1
44	10013598	SCREW, PAN SM4.37-40X12	3

10. Accessories



Ref. No.	Part No.	Description	QTY
17-1	10006352	COTTON STAND ASSY (3D)	1
17-1-1	10004291	COLUMN PIPE (D)	1
17-1-2-1	10004290	WASHER, PLAIN 16	1
17-1-2-2	10002985	NUT, 5/8	1
17-1-3	10004293	COLUMN PIPE	1
17-1-4	10004296	COLUMN JOINT ASSY	2
17-1-4-1	10003301	SCREW, PAN M5X14	2
17-1-4-2	10002953	NUT, 1M5	1
17-1-5	10004282	COLUMN CAP	1
17-1-6	10006351	SPOOL HOLDER 3	1
17-1-7-1	10004288	SPOOL SHAFT (B)	3
17-1-7-2	10003022	WASHER, SPRING 2-5	5
17-1-7-3	10002953	NUT, 1 M5	1
17-1-7-4	10003312	SCREW, PAN (P WASHER) M5X32	1
17-1-7-5	10003312	SCREW, PAN (P WASHER) M5X14	3
17-1-8	10004299	SPOOL STAND BASE	3
17-1-9	10004281	SPOOL MAT	3
17-1-10	10004287	SPOOL CUSHION	1
17-1-12	10006345	THREAD HANGER ASSY 3	1



Dealer:

--