

Parts book

Computerized zigzag
machine

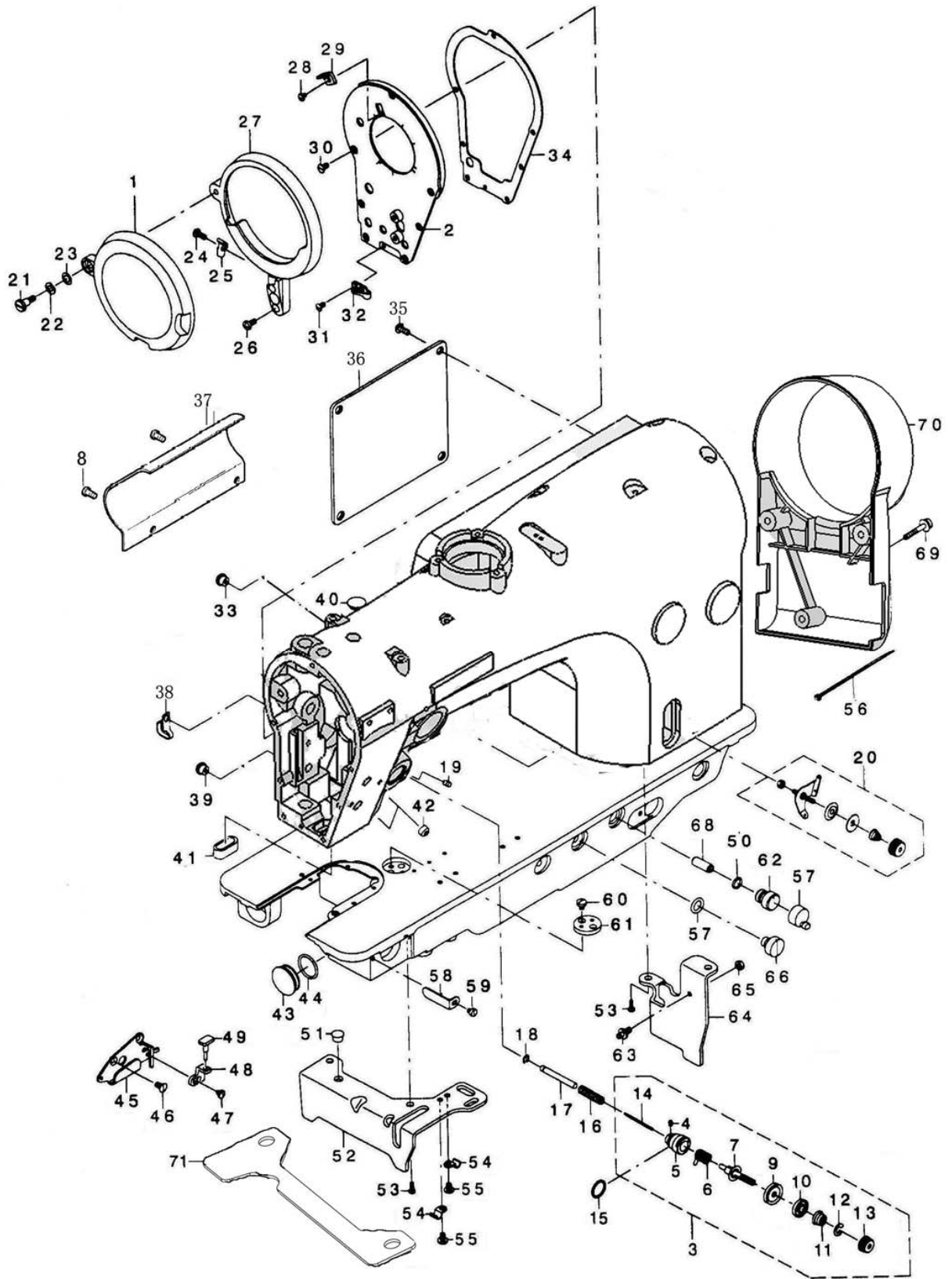
Ziggy

 ***texi***®

CONTENTS

1. FRAME & MISCELLANEOUS COVER COMPONENTS I	01
2. FRAME & MISCELLANEOUS COVER COMPONENTS II	03
3. MAIN SHAFT & THREADTAKE-UP & NEEDLE BAR COMPONENTS.....	05
4. NEEDLE VIBRATOR COMPONENTS.....	07
5. HAND LIFTER COMPONENTS.....	09
6. FEED MECHANISM COMPONENTS I	11
7. FEED MECHANISM COMPONENTS II.....	13
8. HOOK DRIVING SHAFT COMPONENTS I	15
9. HOOK DRIVING SHAFT COMPONENTS II	17
10. THREAD TRIMMER MECHANISM COMPONENTS.....	19
11. AUTOMATIC REVERSE FEED MECHANISM COMPONENTS.....	21
12. THREAD FEEDER COMPONENTS.....	23
13. THREAD RELEASE SOLENOID COMPONENTS.....	25
14. LUBRICATION COMPONENTS.....	27
15. WIPER MECHANISM COMPONENTS.....	29
16. UNDER COVER COMPONENTS.....	31
17. THREAD STAND COMPONENTS.....	33
18. ACCESSORIES PART COMPONENTS.....	35

1. FRAME & MISCELLANEOUS COVER COMPONENTS I

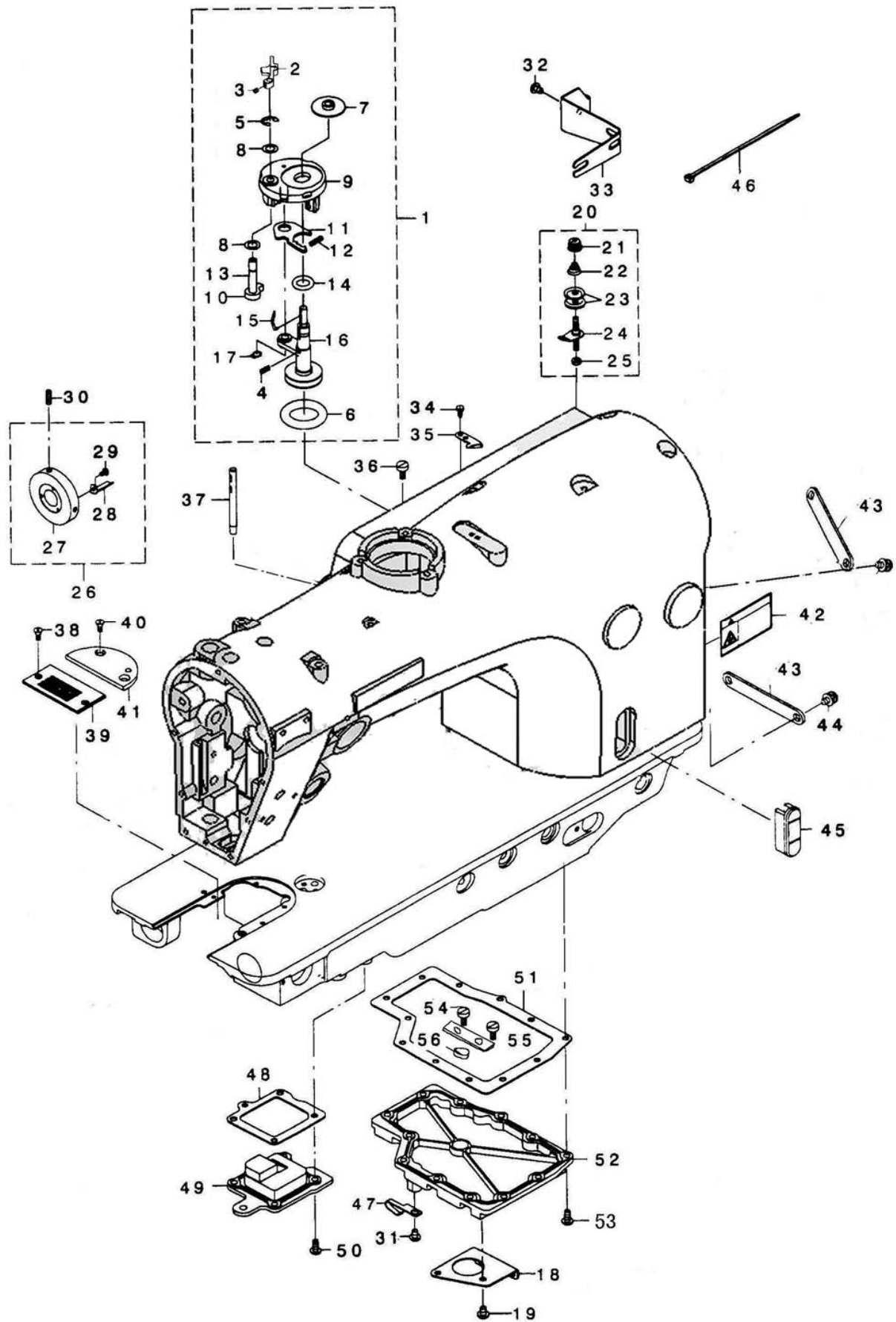


1. FRAME&MISCELLANEOUS COVER COMPONENTS I

No.	Part No.	Description	
1	20003377	BALANCE COVER	1
2	10000122	FACE PLATE COMPL.	1
3	10000657	THREAD TENSION ASM.	1
4	10004200	SCREW	1
5	10000120	THREAD TENSION ROD BASE ASM.	1
6	10000115	TAKE-UP SPRING	1
7	10000123	THREAD TENSION ROD COMPL. 1	1
8	10001281	SCREW 2	2
9	10000154	THREAD TENSION DISK COMPL. 1	1
10	10000116	TENSION DISC HOLDER 1	1
11	10000659	TENSION SPRING 1	1
12	10004090	ROTATION STOPPER 1	1
13	10004178	THREAD TENSION NUT 1	1
14	10000660	THREAD RELEASE PIN 1	1
15	10000088	RUBBER RING 1	1
16	10000087	THREAD RELEASE PIN SPRING 1	1
17	10000105	THREAD RELEASE AUXILIARY PIN 1	1
18	10009653	E-RING 1	1
19	10002434	SCREW 1	1
20	10000131	PRE-TENSION CONTROLLER ASM. 1	1
21	10000107	HINGE SCREW 1	1
22	10000106	WAVED WASHER 1	1
23	10000109	WASHER 1	1
24	10000098	SCREW 1	1
25	10000083	SPRING 1	1
26	10000099	SCREW 1	1
27	20003377	BALANCE COVER BASE 1	1
28	10009743	SCREW 1	1
29	10000108	TAKE-UP THREAD CUTTER 1	1
30	10000101	SCREW 7	7
31	10009890	SCREW 1	1
32	10000102	SPRING GUARD 1	1
33	10000091	RUBBER PLUG 1	1
34	10000103	FACE PLATE PACKING 1	1
35	10001281	SCREW 6	6
36	20003368	SIDE PLATE 1	1
37	20003367	CONNECTING ROD 1	1
38	10000092	UPPER SHAFT FRONT METAL OIL WIRE HOLDER 1	1
39	10000090	RUBBER PLUG 1	1
40	10011099	RUBBER PLUG 3	3

41	10000089	ARM OIL SHIELD 1	1
42	10000086	DRIVING STOPPER RUBBER 2	2
43	10000095	GEAR BOX CAP 1	1
44	10000189	RUBBER RING 1	1
45	10000084	BALANCE THREAD GUIDE 1	1
46	10000101	SCREW 2	2
47	10021329	SCREW 1	1
48	10000104	SPRING GUARD 1	1
49	10000645	RUBBER STOPPER 1	1
50	10012139	RUBBER RING 1	1
51	10000076	RUBBER PLUG 1	1
52	10000078	BED SUPPORT PLATE A 1	1
53	10000077	SCREW 2	2
54	10000082	OIL RETURN TUBE HOLDER 1	1
55	10000098	SCREW 1	1
56	40000363	CABLE BAND 1	1
57	10001281	ARD-DISCHARGING CAP 1	1
58	10000096	GEAR BOX CAP PRESSER 1	1
59	10000097	SCREW 1	1
60	10004374	SCREW 2	2
61	10004373	RULER STOP SEAT 1	1
62	10026384	AIR-DISCHARGING 1	1
63	10000110	SCREW 1	1
64	10000700	BED SUPPORT PLATE B 1	1
65	10000100	NUT 1	1
66	10000075	SCREW 1	1
67	10000079	RUBBER RING 1	1
68	10021559	CABLE BAND 1	1
69	10000157	SCREW 5	5
70	20003963	PULLEY COVER 1	1
71	10000080	BED SUPPORT PLATE PACKING 1	1

FRAME & MISCELLANEOUS COVER COMPONENTS II

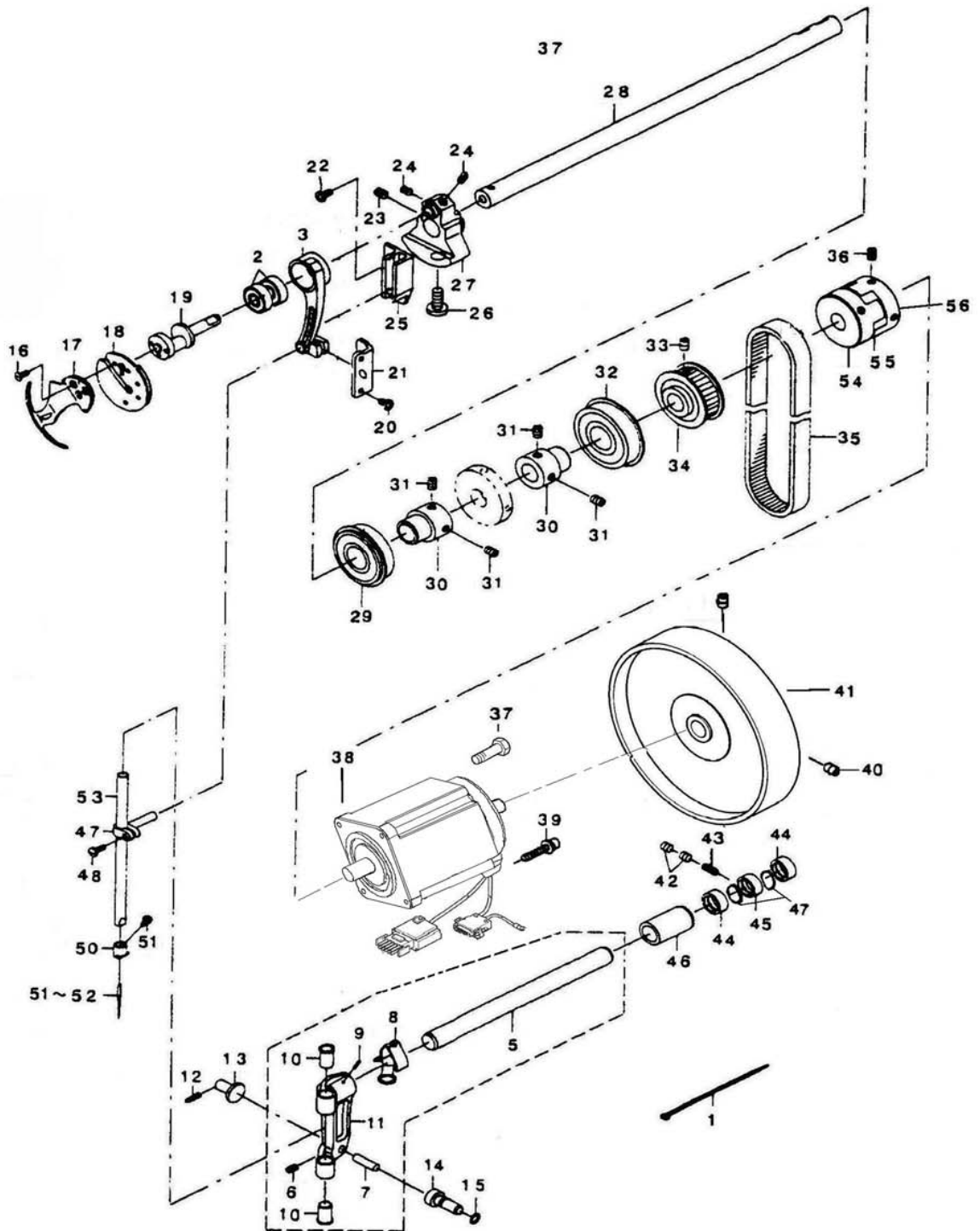


2. FRAME&MISCELLANEOUS COVER COMPONENTS IT

No.	Part No.	Description	
1	10000129	BOBBIN DEVICE ASM. 1	1
2	10000735	BOBBIN LEVER 1	1
3	10004494	SCREW 1	1
4	10004494	PRESSUR FOOT SPRING 1	1
5	10009669	E-RING 1	1
6	10008773	RING 1	1
7	10004498	CUSHION 1	1
8	10004486	WASHER 1	1
9	10011096	BOBBIN FITTING BASIS COMPL. 1	1
10	10006151	BOBBIN CAM SHAFT COMPL. 11	11
11	10004497	ASJUSTING PLATE 1	1
12	10004501	SPRING 1	1
13	10006152	BOBBIN CAM SHAFT COMPL. 1	1
14	10006152	RUBBER RING 1	1
15	10009937	LATCH SPRING 1	1
16	10000151	BOBBIN WINDER SHAFT COMPL. 1	1
17	10006142	RETAINING RING 1	1
18	10007459	PIPE GUIDE PLATE 1	1
19	10000149	SCREW 1	1
20	10013064	BOBBIN THREAD TENSION ASM. 1	1
21	10004390	THREAD TENSION NUT 1	1
22	10004391	THREAD TENSION SPRING 1	1
23	10004393	BOBBIN WINDER TENSION DISC 2	2
24	10004504	BOBBIN THREAD TENSION ROD ASM. 1	1
25	10004507	NUT 1	1
26	10000164	BOBBIN DRIVING WHEEL ASM. 1	1
27	10000172	BOBBIN DRIVING WHEEL 1	1
28	10000153	BOBBIN DRIVING WHEEL BLADE 3	3
29	10000173	SCREW 3	3
30	10011223	SCREW 2	2
31	10000098	SCREW 1	1
32	10000148	SCREW 1	1
33	10000146	HEAD LUBRICATION PIPE STOPPER 1	1
34	10000164	SCREW 2	2
35	10011149	THREAD CUTTER 1	1
36	10000149	SCREW 3	3
37	10000167	SAFETY SWITCH ARM 1	1
38	10009890	SCREW 2	2
39	10000166	NEEDLE PLATE 1	1
40	10009890	SCREW 2	2

41	10000165	BED PLATE 1	1
42	10008936	SAFETY LABEL. (SMALL) 1	1
43	10000150	CONNECTING ROD 2	2
44	10000152	SCREW 4	4
45	10008772	OIL SIGHT WINDOW 1	1
46	40000363	CABLE BAND 150 1	1
47	10000082	LUBRICATING OIL WICK STOPPER 1	1
48	10000168	GEAR BOX(SMALL) PACKING 1	1
49	10000125	GEAR BOX(SMALL) COVER 1	1
50	10000098	SCREW 4	4
51	10001242	GEAR BOX (LARGE) PACKING 1	1
52	10000126	GEAR BOX (LARGE) COVER 1	1
53	10001281	SCREW 12	12
54	10000040	SCREW 2	2
55	10001242	SUBPLATE 1	1
56	10001096	MAGNET	1

3. MAIN SHAFT & THREAD TAKE-UP & NEEDLE BAR COMPONENTS

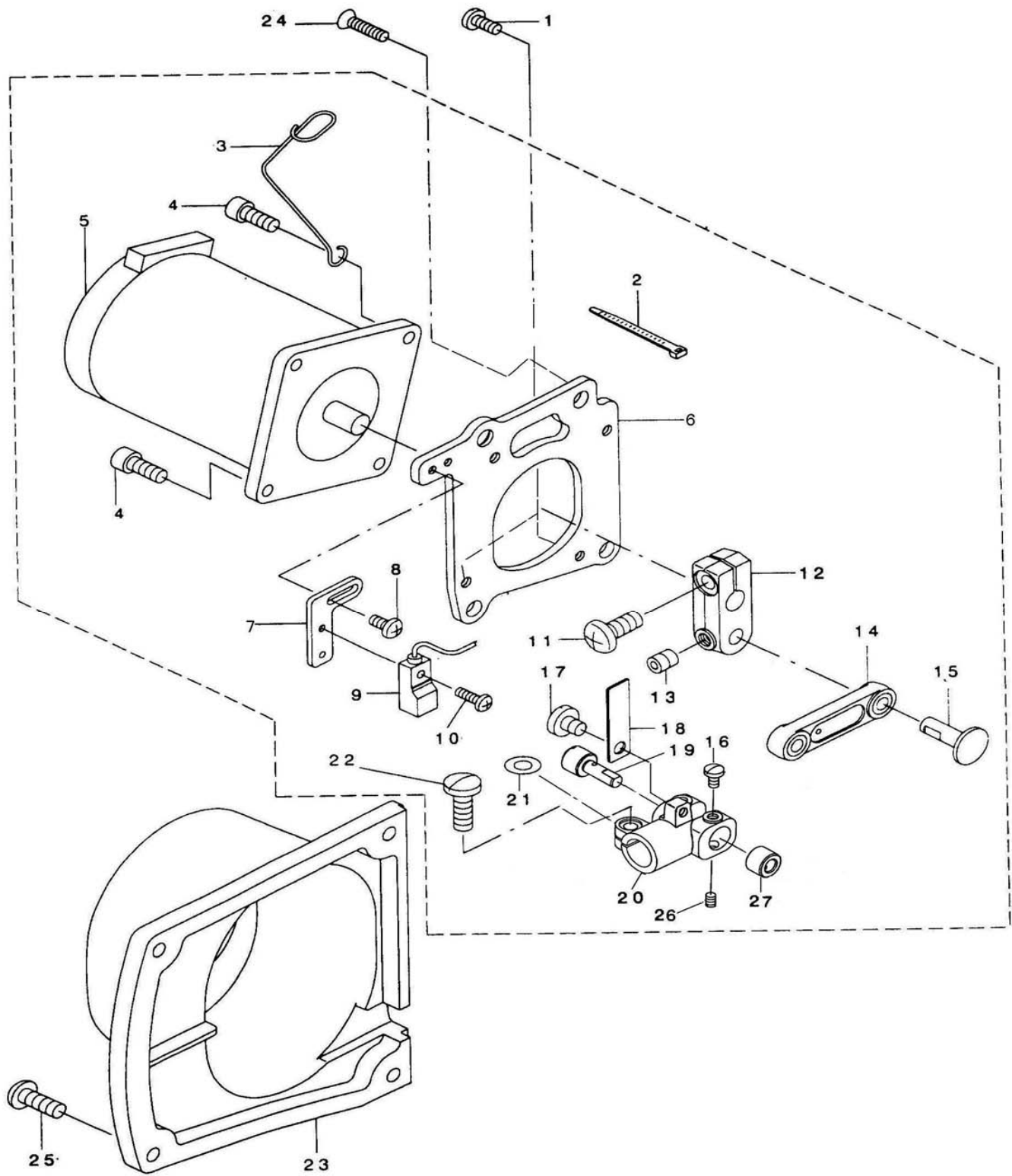


3. MAIN SHAFT&THREAD TAKE-UP&NEEDLE BAR COMPONENTS

No.	Part No.	Description	
1	40000363	CABLE BAND 1	1
2	10003586	BUSHING 2	2
3	10000310	NEEDLE ROD CRANK ROD 1	1
4	10000230	NEEDLE ROD SUPPORT BASE ASM. 1	1
5	10000227	NEEDLE ROD SUPPORT BASE SHAFT 1	1
6	10000205	SCREW 1	1
7	10000204	SUPPORT BASE GUIDE SHAFT 1	1
8	10000306	NEEDLE ROD SUPPORT BASE FELT 1	1
9	10003469	SPRING PIN 1	1
10	10000228	NEEDLE ROD METAL 2	2
11	10000227	NEEDLE ROD SUPPORT BASE 1	1
12	10000320	SCREW 1	1
13	10000647	SUPPORT BASE GUIDE PIN B 1	1
14	10000646	SUPPORT BASE GUIDE PIN A 1	1
15	10000321	RUBBER RING 1	1
16	10009890	SCREW 3	3
17	10000337	BALANCE V 1	1
18	10000232	TAKE-UP COUNTERWEIGHT ASM. 1	1
19	10008538	NEEDLE ROD CRANK 1	1
20	10010210	SCREW 2	2
21	10000319	NEEDLE ROD CRANK ROD GUIDE 1	1
22	10000264	SCREW 2	2
23	10000312	SCREW 1	1
24	10005020	SCREW 2	2
25	10000307	NEEDLE ROD HOLDER GUIDE 1	1
26	10010545	SCREW 1	1
27	10000311	COUNTER WEIGHT 1	1
28	10000315	UPPER SHAFT 1	1
29	10025881	BEARING 1	1
30	10000313	MAIN SHAFT BEARING SUPPORT 1	1
31	10000314	SCREW 2	2
32	10003603	BEARING 1	1
33	10000314	SCREW 2	2
34	10000648	UPPER SHAFT SPROCKET 1	1
35	10000316	TIMING BELT 1	1
36	10000314	SCREW 4	4
37	10000233	SCREW 1	1
38	10022370	MOTOR A ASM. 1	1
39	10000233	SCREW 4	4
40	10000314	SCREW 2	2

41	20004078	HAND WHEEL 1	1
42	10000318	SCREW 2	2
43	10000317	SPRING 1	1
44	10000205	SUPPORT BASE SHAFT FRONT METAL 2	2
45	10000306	SUPPORT BASE SHAFT REAR METAL 1	1
46	10000204	SUPPORT BASE SHAFT FRONT METAL 1	1
47	10000203	WASHER 2	2
48	10000309	NEEDLE BAR CONNECTION 1	1
49	10010018	SCREW 1	1
50	10000322	THRED RACK. RIGHT 1	1
51	10010588	SCREW 1	1
52	10003366	NEEDLE(DPx5 #10) 1	1
53	10004858	NEEDLE (DPX5#14) 1	1
54	10000203	NEEDLE ROD 1	1
55	10000868	NEEDLE ROD CRANK 1	1
56	10011227	RUBBER 1	1
57	10000838	COUPLING 1	1

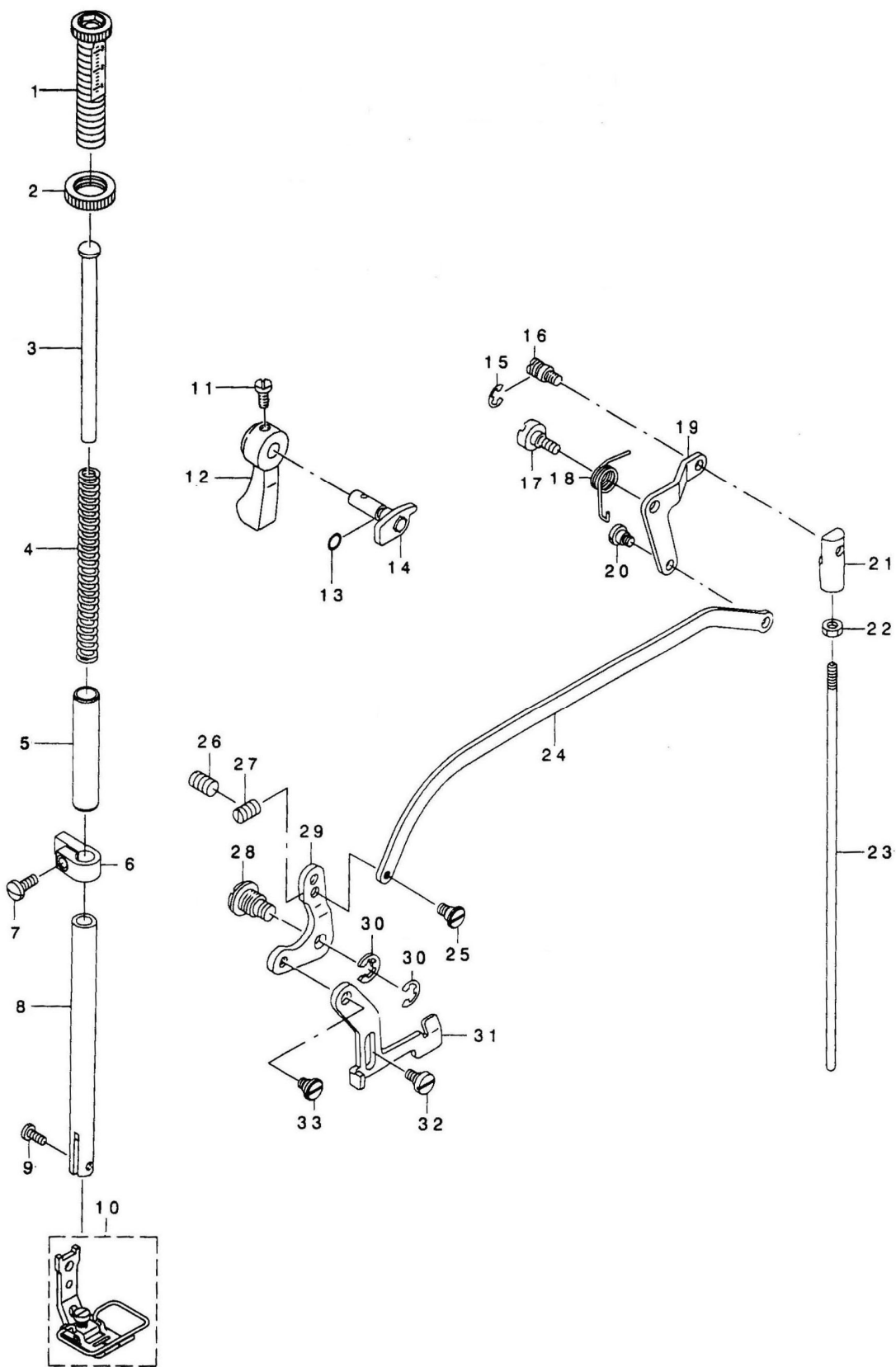
4. NEENLE VIBRATOR COMPONENTS



4. NEEDLE VIBRATOR COMPONENTS

No.	Part No.	Description	
1	10000341	SCREW 2	2
2	40000363	CABLE BAND 1	1
3	10000343	CORD CLAMP 1	1
4	10000348	SCREW 4	4
5	10024500	PULSE MOTOR 1	1
6	10025488	NEEDLE VIBRATOR UNIT BASIS 1	1
7	10000344	SENSOR FITTING PLATE 1	1
8	10000345	SCREW 2	2
9	10003734	ZERO SENSOR A ASM. 1	1
10	10003060	SCREW 1	1
11	10008776	SCREW 1	1
12	10024828	MOTOR LINK 1	1
13	10008775	SCREW 1	1
14	10000681	SHAFT CONNECTION LINK ASM. 1	1
15	10000640	NEEDLE VIBRATOR JUNCTION ROD 1	1
16	10009906	SCREW 2	2
17	10000513	SCREW 1	1
18	10003265	SENSOR SLIT 1	1
19	10000683	SHAFT CONNECTION PIN 1	1
20	10000682	SUPPORT BASE SHAFT CONNECTION 1	1
21	10009469	WASHER 1	1
22	10000347	SCREW 1	1
23	20003396	NEEDLE VIBRATOR UNIT COVER 1	1
24	10000340	SCREW 2	2
25	10000512	SCREW 4	4
26	10009873	SCREW 1	1
27	10000684	SHAFT CONNECTION BUSH 1	1

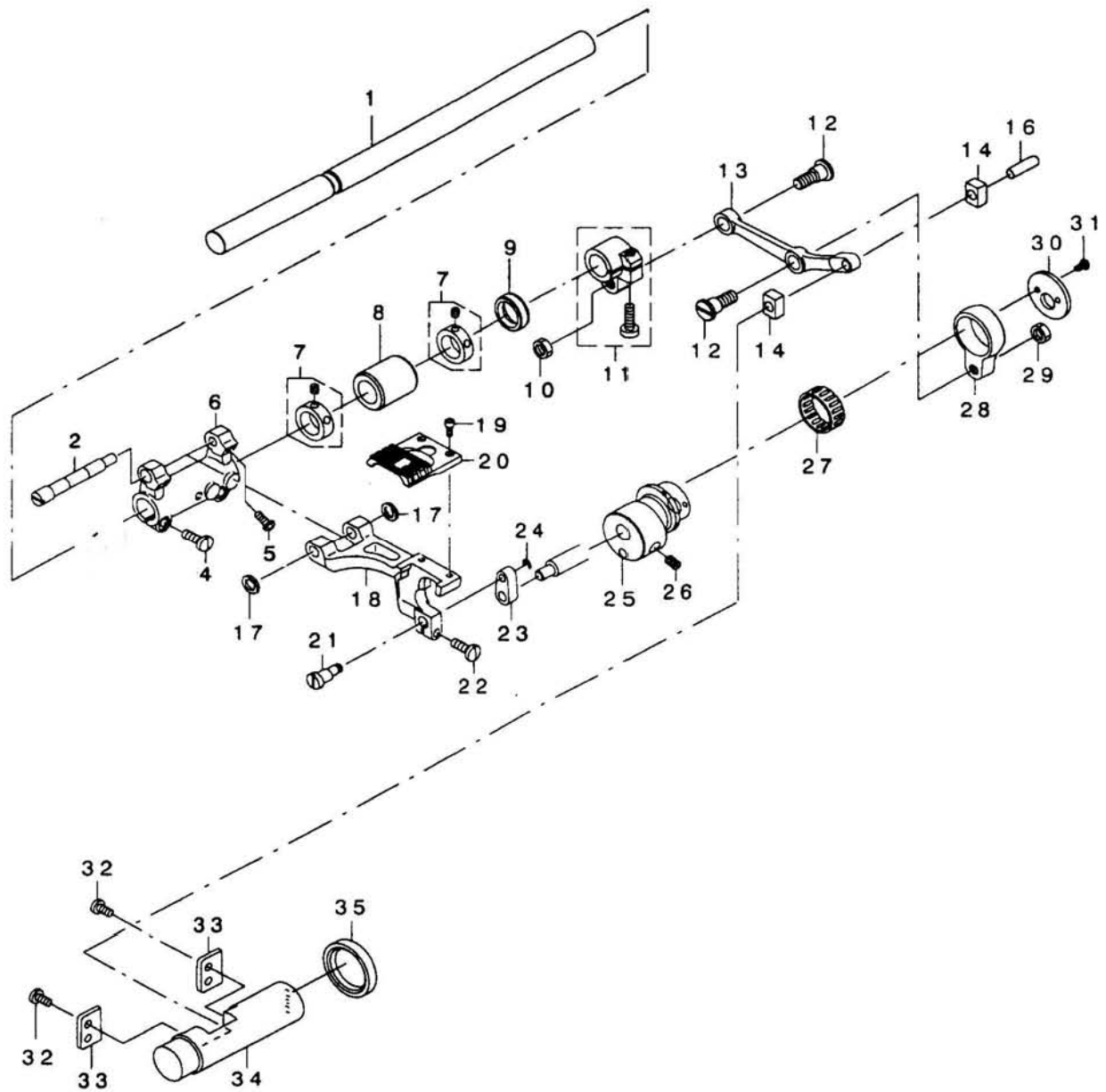
5. HAND LIFTER COMPONENTS



5. HAND LIFTER COMPONENTS

No.	Part No.	Description	
1	10013325	PRESSER SPRING REGULATOR 1	1
2	10011023	NUT 1	1
3	10004439	PRESSER GUIDE BAR 1	1
4	10004505	PRESSER SPRING REGULATOR 1	1
5	10027072	BUSHING 1	1
6	10000244	SCREW 1	1
7	10013647	PRESSER BAR GUIDE BRACKET 1	1
8	10026790	PRESSER BAR GUIDE BRACKET 1	1
9	10010018	SCREW 1	1
10	10000726	PRESSER FOOT ASM. 1	1
11	10010016	SCREW 1	1
12	10011064	HAND LIFTER 1	1
13	10010027	RUBBER RING 1	1
14	10002388	HAND LIFTER CAM COMPL. 1	1
15	10013038	E-RING 1	1
16	10001099	CONNECTING ROD HINGE SCREW 1	1
17	10000238	KNEE LIFTING LINK STEP-SCREW 1	1
18	10000239	KNEE LIFTING LINK SPRING 1	1
19	10000240	KNEE LIFTING LINK SPRING 1	1
20	10000599	HINGE SCREW 1	1
21	10000241	SWIVEL 1	1
22	10000242	NUT 1	1
23	10000243	KNEE LIFTING JUNCTION ROD 1	1
24	10000598	KNEE LIFTING SIDE ROD LINK 1	1
25	10000248	HINGE SCREW 1	1
26	10005983	SCREW 1	1
27	10002828	SCREW 1	1
28	10000246	HINGE PIN 1	1
29	10000247	LIFTING LEVER LINK 1	1
30	10009654	SNAP RING 2	2
31	10002826	LIFTING LEVER 1	1
32	10002827	HINGE SCREW 1	1
33	10000245	HINGE SCREW 1	1

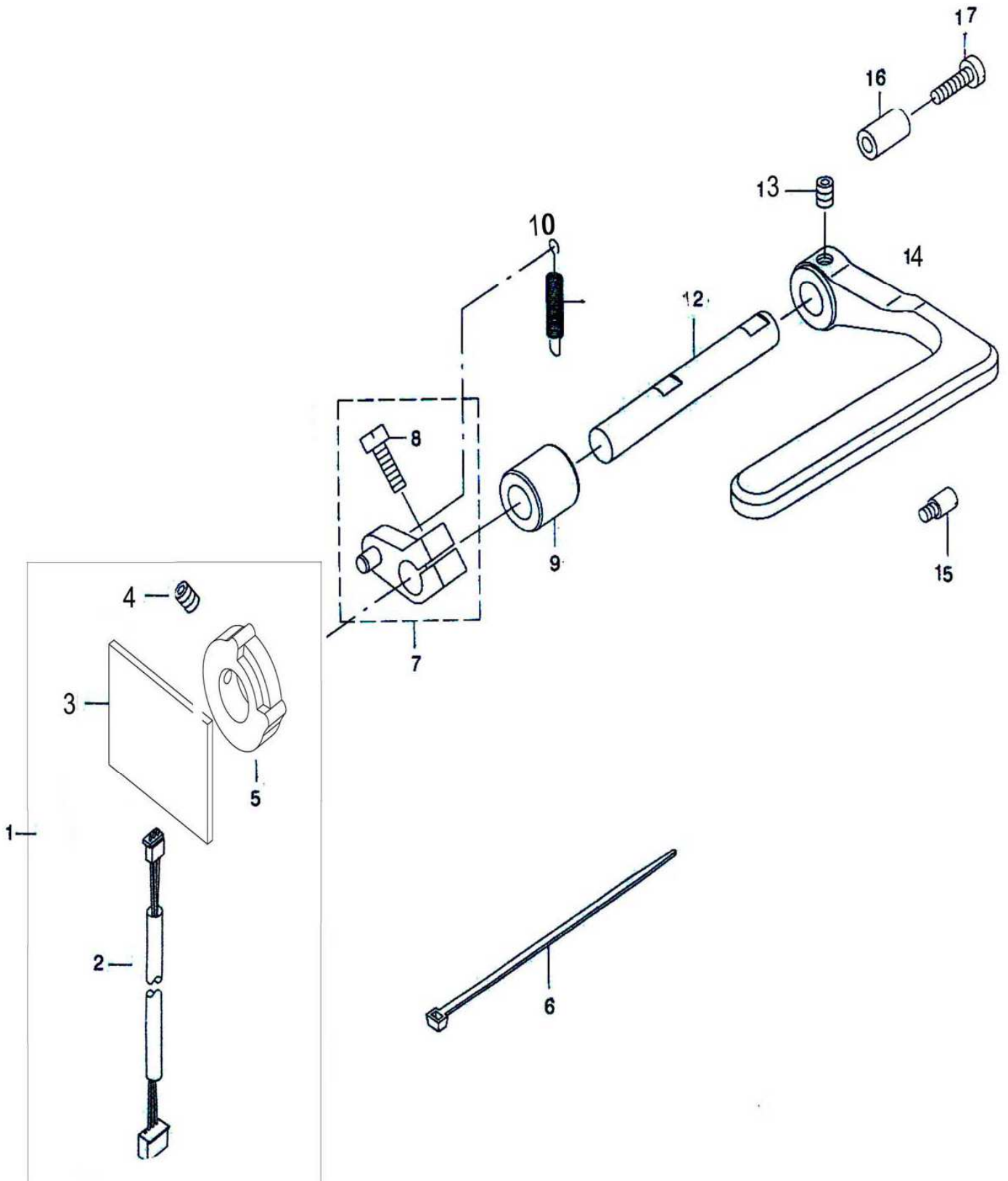
6. FEED MECHANISM COMPONENTS I



6. FEED MECHANISM COMPONENTS I

No.	Part No.	Description	
1	10000273	HORIZONTAL FEED SHAFT 1	1
2	10000279	FEED BASE SHAFT 1	1
3	10000077	SCREW 2	2
4	10000347	SCREW 2	2
5	10000148	SCREW 2	2
6	10000278	FEED ROCKER 1	1
7	10000272	THRUST COLLAR ASM. 2	2
8	10012494	FEED ROCKER SHAFT METAL 1	1
9	10012536	OIL SEAL 1	1
10	10004475	NUT 1	1
11	10000272	FEED ROCKER SHAFT CRANK ASM. 1	1
12	10000270	SCREW 2	2
13	10000685	CONNECTING ROD 1	1
14	10003296	FEED DRIVING ROCKER BLOCK 2	2
15	10003295	PIN 1	1
16	10010314	SPACER 2	2
17	10000282	FEED BASE SHAFT 1	1
18	10000406	SCREW 2	2
19	10008164	FEED DOG 1	1
20	10000281	LINK SHAFT 1	1
21	10000347	SCREW 1	1
22	10000280	LINK 1	1
23	10003248	E-RING 1	1
24	10000277	HORIZONTAL FEED CAM 1	1
25	10000268	SCREW 2	2
26	10000603	BEARING 1	1
27	10000288	ROD 1	1
28	10004475	NUT 1	1
29	10000602	HORIZONTAL FEED CAM COVER 1	1
30	10000268	SCREW 2	2
31	10000264	SCREW 4	4
32	10000265	PLATE A 2	2
33	10000262	FEED ADJUSTING 1	1
34	10007572	FEED ADJUSTING OIL SEAL 1	1

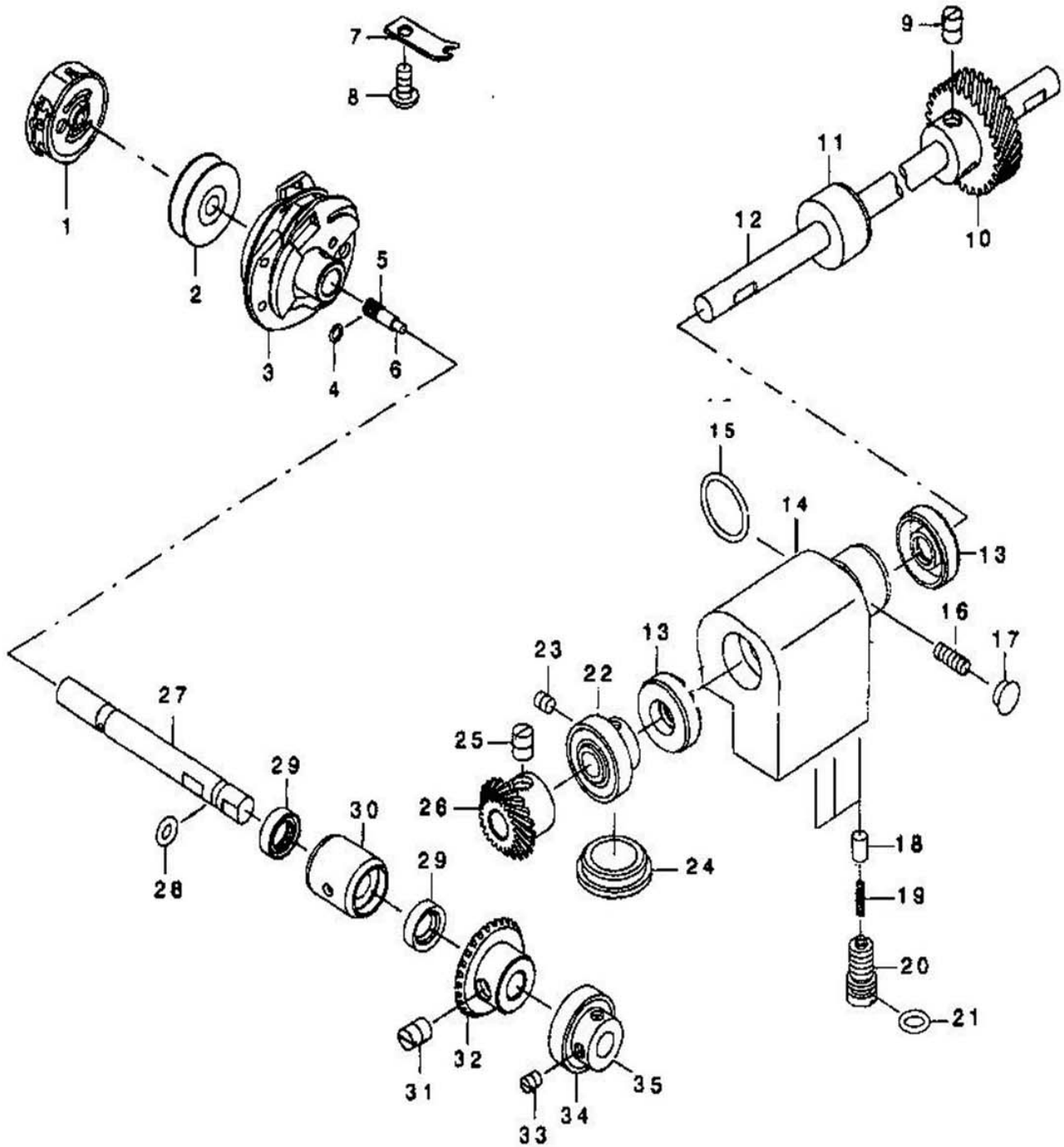
7. FEED MECHANISM COMPONENTS II



7 FEED MECHANISM COMPONENTS II

No.	Part No.	Description	
	0	FEED WRENCH SENSOR COMPONENTS 1	1
1	10026359	2 FEED WRENCH SENSOR WRIE 1	1
2	10026223	FEED WRENCH SENSOR 1	1
3	10002853	SCREW 1	1
4	10026535	FEED WRENCH SENSOR ELECTROMAGNET 1	1
5	40000363	CABLE BAND 1	1
6	20000150	FEED CRANK 1	1
7	10010095	SCREW 1	1
8	10000294	WRENCH METAL 1	1
9	10000687	FEED SPRING 1	1
10	10000722	FEED SHAFT 1	1
12	20003390	SCREW 1	1
13	10009187	FEED WRENCH 1	1
14	10000723	FEED DOWN LIMIT SHAFT 1	1

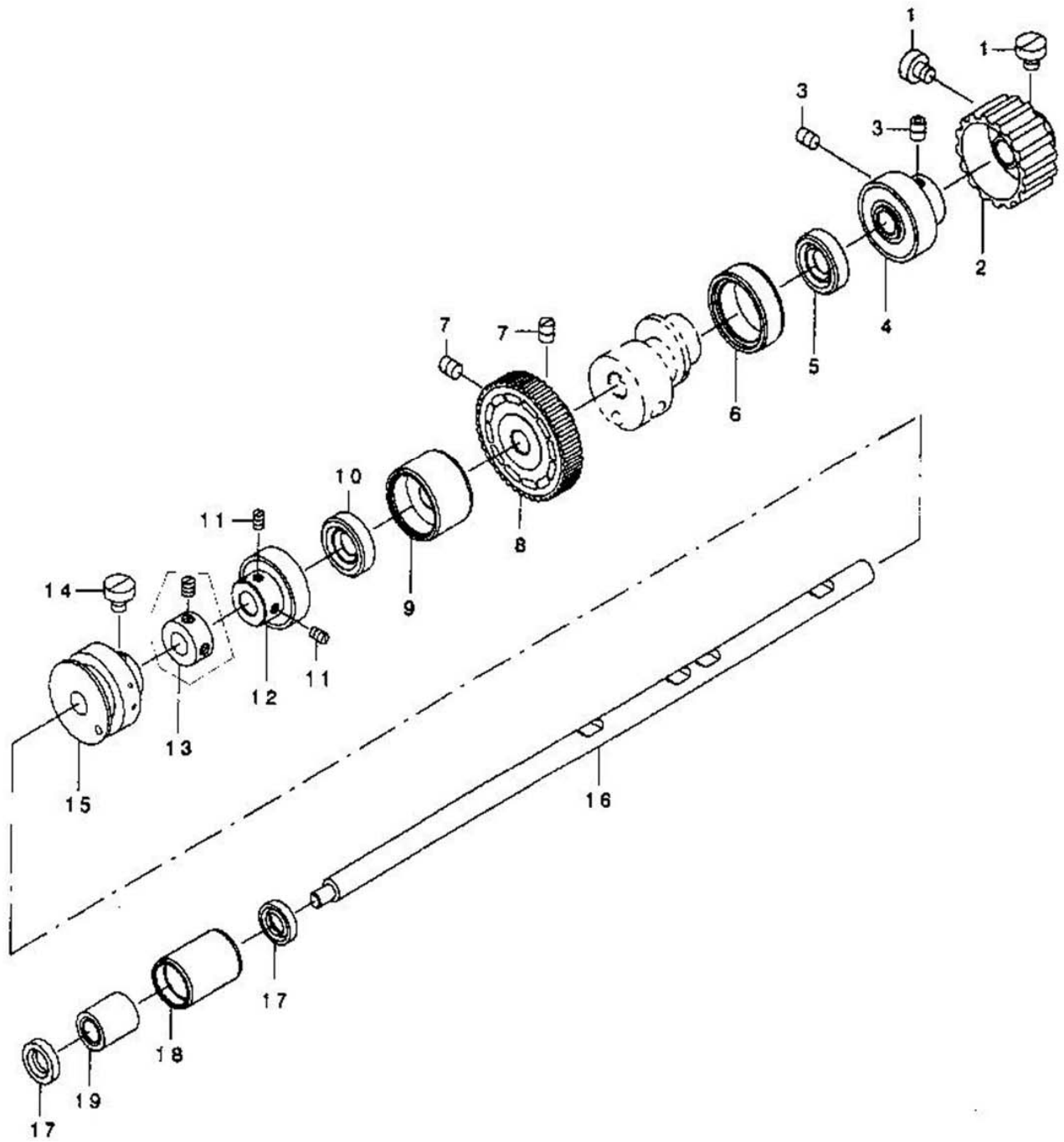
8. HOOK DRIVING SHAFT COMPONENTS I



8. HOOK DRIVING SHAFT COMPONENTS I

No.	Part No.	Description	
1	10003804	BOBBIN CASE ASM. 1	1
2	10010377	BOBBINS 1	1
3	10003806	HOOK COMPL. V 1	1
4	10000457	RUBBER RING 1	1
5	10010029	SCREW 1	1
6	10010063	OIL WICK 1	1
7	10000456	INNER HOOK STOPPER 1	1
8	10010066	SCREW 1	1
9	10003921	SCREW 2	2
10	10000462	HOOK DRIVING GEAR 1	1
11	10000461	HOOK DRIVING SHAFT REAR METAL 1	1
12	10000582	HOOK DRIVING SHAFT 1	1
13	10003797	HOOK DRIVING SHAFT OIL SEAL 2	2
14	10000583	PUMP METAL 1	1
15	10000460	RUBBER RING 1	1
16	10000463	SCREW 1	1
17	10000091	PLUG 1	1
18	10002399	PLUNGER 2	2
19	10014386	RUBBER SPRING 2	2
20	10000464	SCREW 2	2
21	10000465	RUBBER RING 2	2
22	10026221	HOOK SHAFT BEARING ASM. 1	1
23	10000459	SCREW 2	2
24	10000616	RUBBER PLUG 1	1
25	10003921	SCREW 2	2
26	10010029	HOOK GEAR 1	1
27	10003436	HOOK SHAFT 1	1
28	10003437	RUBBER RING 1	1
29	10003797	HOOK SHAFT OIL SEAL 2	2
30	10000581	HOOK SHAFT FRONT METAL 1	1
31	10003921	SCREW 2	2
32	10003937	HOOK GEAR 1	1
33	10000459	SCREW 2	2
34	10026221	HOOK SHAFT BEARING ASM. 1	1
35	10000458	BEARING SUPPOTR 1	1

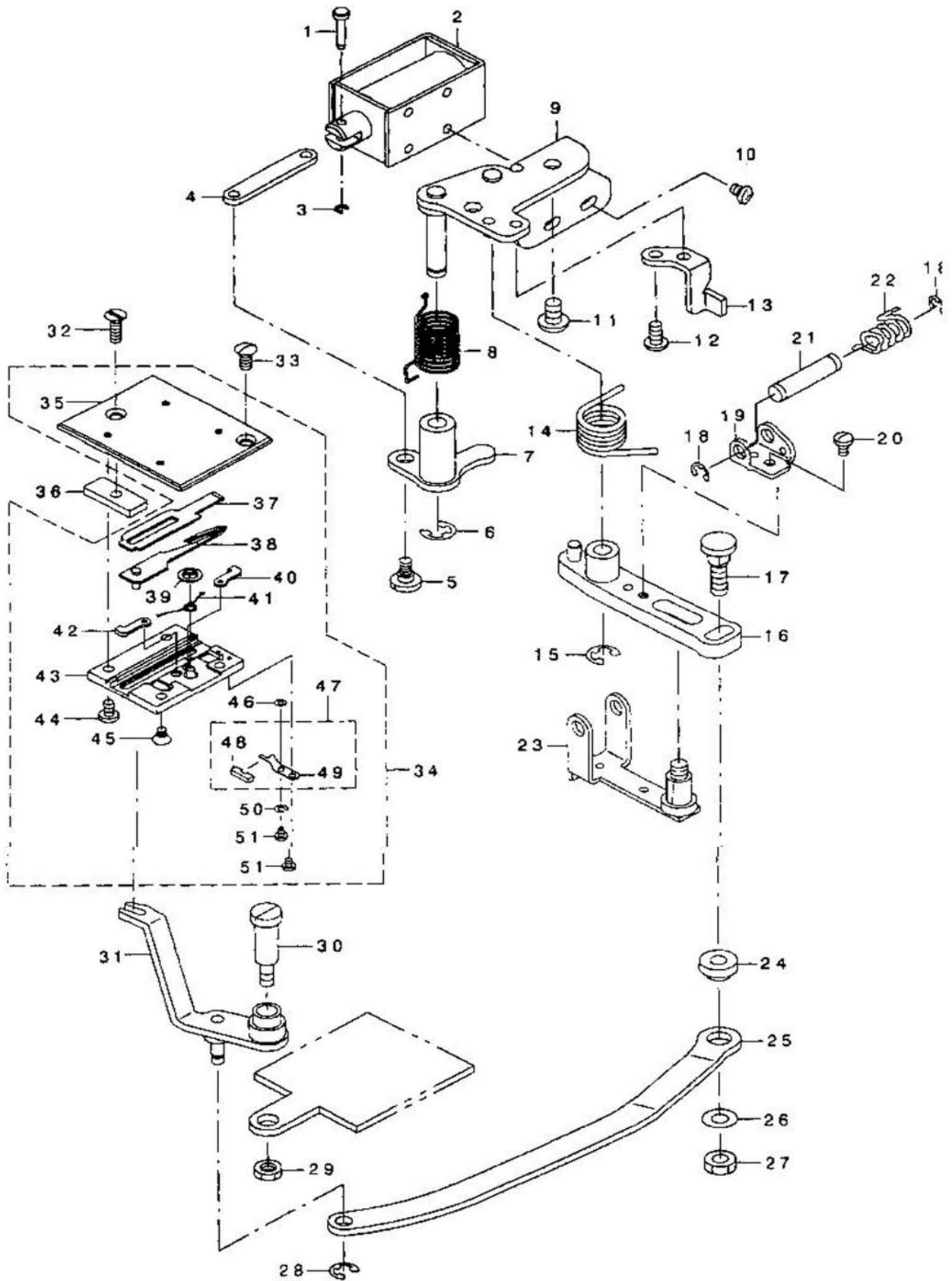
9. HOOK DRIVING SHAFT COMPONENTS II



9. HOOK DRIVING SHAFT COMPONENTS II

No.	Part No.	Description	
1	10000428	SCREW 2	2
2	10003438	LOWER SHAFT SPROCKET 1	1
3	10000314	SCREW 2	2
4	10003581	LOWER SHAFT REAR BEARING ASM. 1	1
5	10003791	OIL SEAL 1	1
6	10000426	LOWER SHAFT REAR BUSH 1	1
7	10003921	SCREW 2	2
8	10000427	HOOK DRIVING GEAR 1	1
9	10000425	LOWER SHAFT INNER METAL 1	1
10	10003791	OIL SEAL 1	1
11	10013590	SCREW 2	2
12	10009778	LOWER SHAFT INNER BEARING ASM. 1	1
13	10000378	THRUST COLLAR ASM. 1	1
14	10000428	SCREW 2	2
15	10000431	THREAD TRIMMER CAM 1	1
16	10000430	LOWER SHAFT 1	1
17	10007409	OIL SEAL 2	2
18	10000432	LOWER SHAFT FRONT BEARING BUSH 1	1
19	10003608	BEARING A 10 1	1

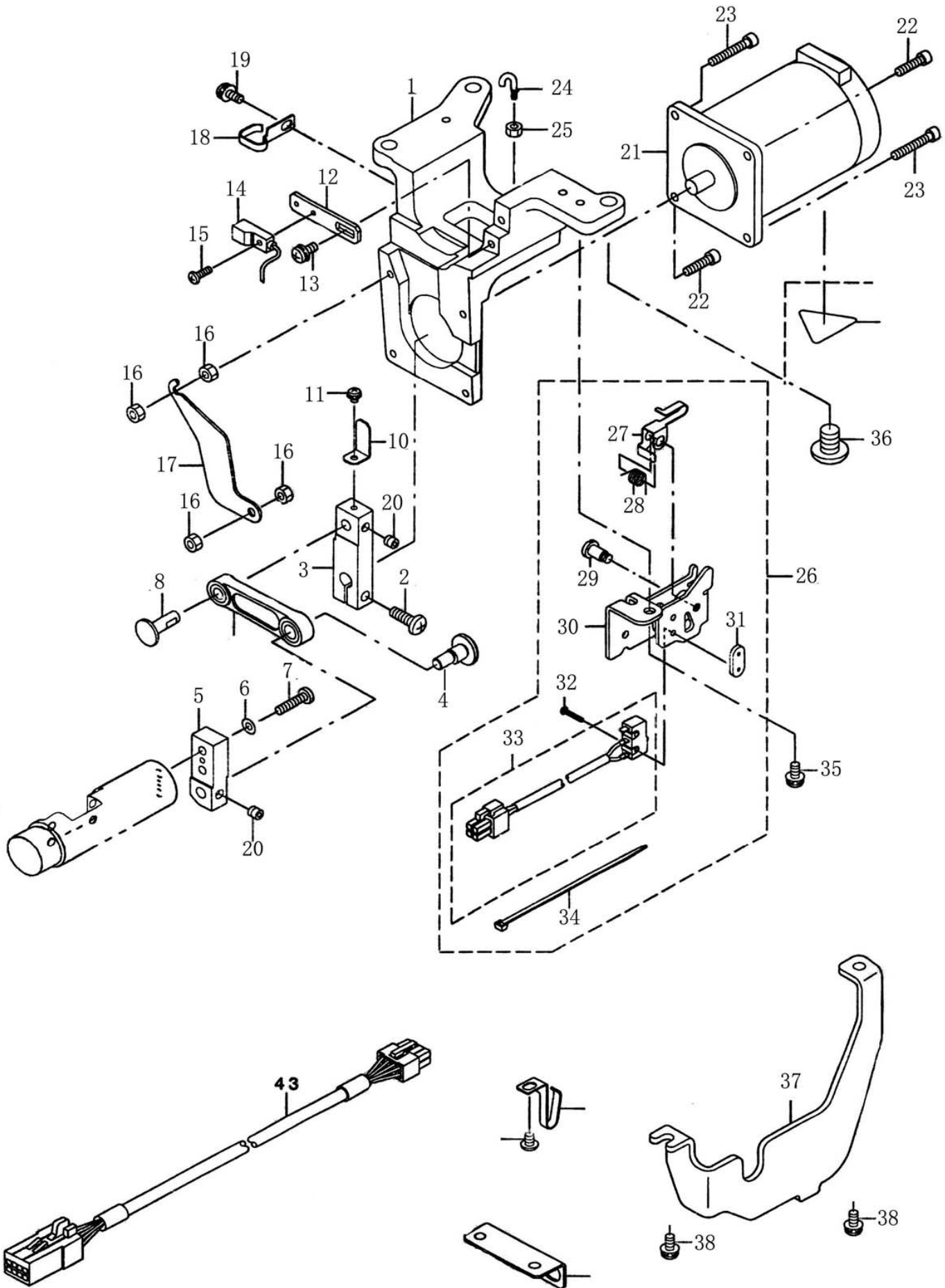
10. THREAD TRIMMER MECHANISM COMPONENTS



10. THREAD TRIMMER MECHANISM COMPONENTS

No.	Part No.	Description	
1	10000028	CLUTH LINK PIN 1	1
2	10000030	THREAD TRIMMER SOLENOID 1	1
3	10003231	E-RING 1	1
4	10000360	CLUTH LINK 1	1
5	10000359	HIGH SCREW 1	1
6	10005634	E-RING 1	1
7	10000367	CLUTCH PLATE ASM 1	1
8	10000358	CLUTCH RETURN SPRING 1	1
9	10000024	BASE PLATE ASM 1	1
10	10003044	SCREW 3	3
11	10000077	SCREW 2	2
12	10009735	SCREW 2	2
13	10000587	DRIVING ARM STOPPER 1	1
14	10000026	KNIFE RETURN SPARING 1	1
15	10005634	E-RING 1	1
16	10005655	KNIFE DRIVING ARM ASM 4	4
17	10000025	MOVING KNIFE LINK PIN 1	1
18	10012795	E-RING 2	2
19	10005636	ROLLER ARM SEAT 1	1
20	10010016	SCREW 1	1
21	10005668	ROLLER FULCRUM SHAFT 1	1
22	10005676	ROLLER RETURN SPRING 1	1
23	10005805	ROLLER ARM ASM 1	1
24	10000024	MOVING KNIFE LINK BASE 1	1
25	10000586	MOVING KNIFE LINK 1	1
26	10005637	WASHER 1	1
27	10005808	NUT 1	1
28	10013038	E-RING 1	1
29	10010725	NUT 1	1
30	10000031	SCREW 1	1
31	10000023	FORK KNIFE ASM 1	1
32	10000035	SCREW 1	1
33	10000033	SCREW 1	1
34	10025157	KNIFE UNIT 1	1
35	10000038	SLIDING PLATE 1	1
36	10000438	FIXED PLATE 1	1
37	10000439	FIXED KNIFE 1	1
38	10000027	DRIVING KNIFE ASM 1	1
39	10000442	LOCATING SPRING WASHER 1	1
40	10000440	K KNIFE STOPPER,RIGHT 1	1
41	10000025	SPRING 1	1
42	10000443	KNIFE STOPPER,LEFT 1	1
43	10000037	KNIFE BASE 1	1
44	10000032	SCREW 2	2
45	10000438	SCREW 2	2
46	10000036	WASHER 1	1
47	10000445	CLAMP PLATE ASM 1	1
48	10002398	FELT 1	1
49	10000444	CLAMP PLATE 1	1
50	10003070	SPRING WASHER 1	1
51	10000445	SCREW 2	2

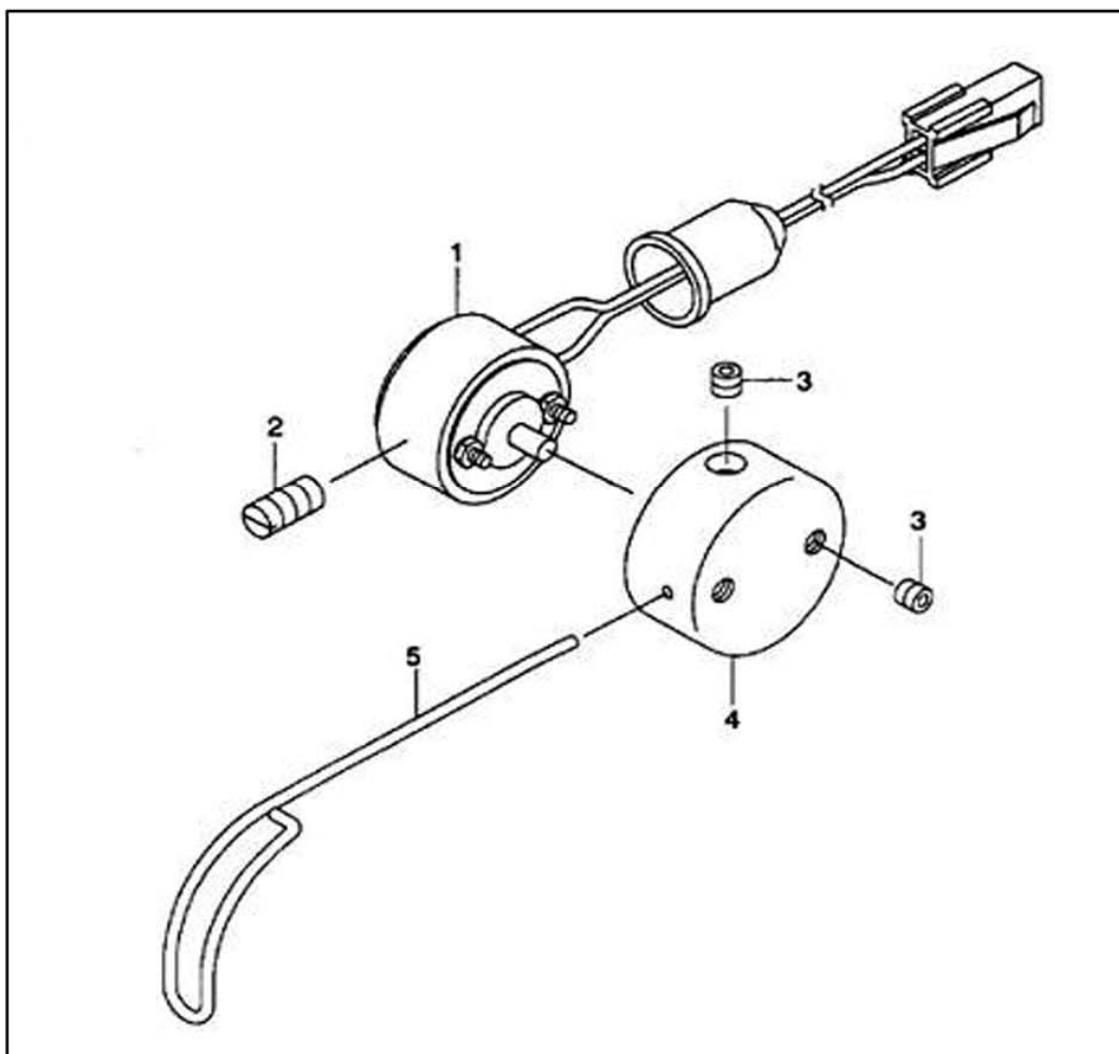
11. AUTOMATIC REVERSE FEED MECHANISM COMPONENTS



11. AUTOMATIC REVERSE FEED MECHANISM COMPONENTS

No.	Part No.	Description	
1	10000691	SEAT OF FEED MOTOR 1	1
2	10000654	SCREW 1	1
3	10000655	FEED MOTOR LINK 1	1
4	10000693	PIN 1	1
5	10000694	LINK 1	1
6	10000417	WASHER 1	1
7	10000701	SCREW 1	1
8	10000640	PIN 2	2
9	10000765	FEED LINK ASM 1	1
10	10000696	SENSE ORGAN INDUCTIVE PIECE 1	1
11	10002411	SCREW 1	1
12	10000695	SENSE ORGAN FIXING BOARD 1	1
13	10000707	SCREW 1	1
14	10003734	PULSE MOTOR INDUCTOR 1	1
15	10003060	SCREW 1	1
16	10009471	NUT 4	4
17	10000721	BAFFLE 1	1
18	10000092	TENSION 4	4
19	10000707	SCREW 4	4
20	10012162	SCREW 2	2
21	10024500	PULSE MOTOR 1	1
22	10000698	SCREW 1	1
23	10000698	SCREW 1	1
24	10000697	SPRING 1	1
25	10003025	NUT 1	1
26	10021598	SAFETY SWITCH ASM. 1	1
27	10000124	SAFETY SWITCH ARM 1	1
28	10005855	SAFETY SWITCH SPRING 1	1
29	10012612	SAFETY SWITCH ARM SHAFT 1	1
30	10000147	SAFETY SWITCH BASE 1	1
31	10005877	NUT 1	1
32	10003052	SCREW 2	2
33	10002499	X34 SAFETY SWITCH CORD ASM. 1	1
34	40000363	CABLE BAND 1	1
35	10000148	SCREW 2	2
36	10000762	SCREW 3	3
37	10000700	REAR 1	1
38	10000077	SCREW 2	2

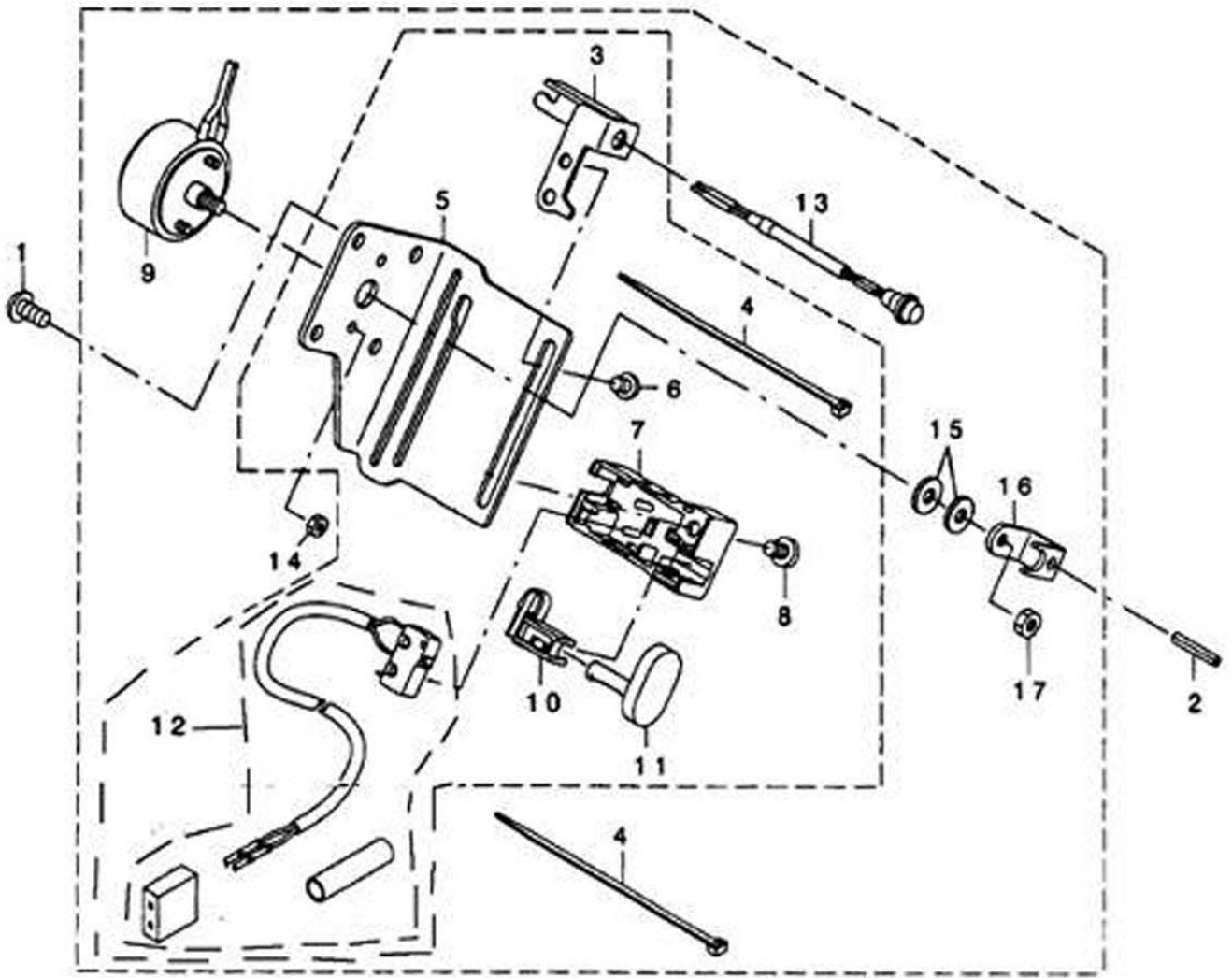
12. THREAD FEEDER COMPONENTS



12. THREAD FEEDER COMPONENTS

No.	Part No.	Description	
1	10000496	FEEDER SOLENOID ASM	1
2	10000320	SCREW 1	1
3	10013590	SCREW 3	3
4	10000494	FEEDER WIRE FITTING BASE 1	1
5	10000495	FEEDER WIRE 1	1

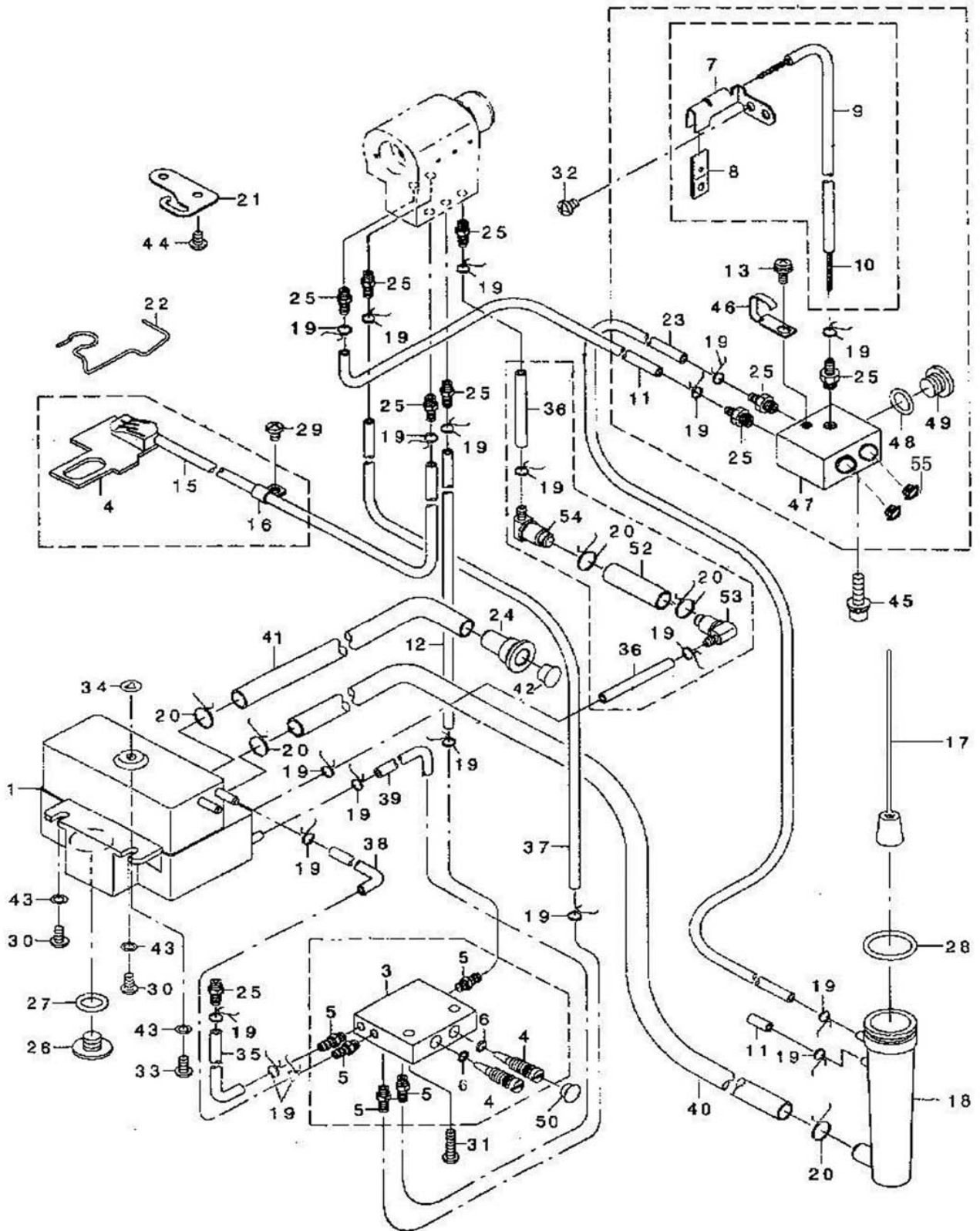
13. THREAD RELEASE SOLENOID COMPONENTS



13. THREAD RELEASE SOLENOID COMPONENTS

No.	Part No.	Description	
1	10001281	SCREW 4	4
2	10009324	SPRING PIN 1	1
3	10001271	MANUAL SWITCH BASE GUIDE 1	1
4	40000363	CABLE BAND 1	1
5	10000502	MANUAL SWITCH BASE 1	1
6	10002400	SCREW 1	1
7	10000510	REVERSE FEED SWITCH COVER 1	1
8	10002940	SCREW 1	1
9	10000507	THREAD RELEASE SOLENOID COMPL 1	1
10	10000511	REVERSE FEED SWITCH SUPPORT 1	1
11	10000597	REVERSE FEED SWITCH SHAFT 1	1
12	10002569	REVERSE FEED CORD ASM 1	1
13	10000499	SW LED CABLE A ASM 1	1
14	10003025	NUT 2	2
15	10000497	FRAME SIDE COVER GASKET 2	2
16	10000498	THREAD RELEASE PUSH PLATE 1	1
17	10009471	NUT 1	1

14. LUBRICATION COMPONENTS

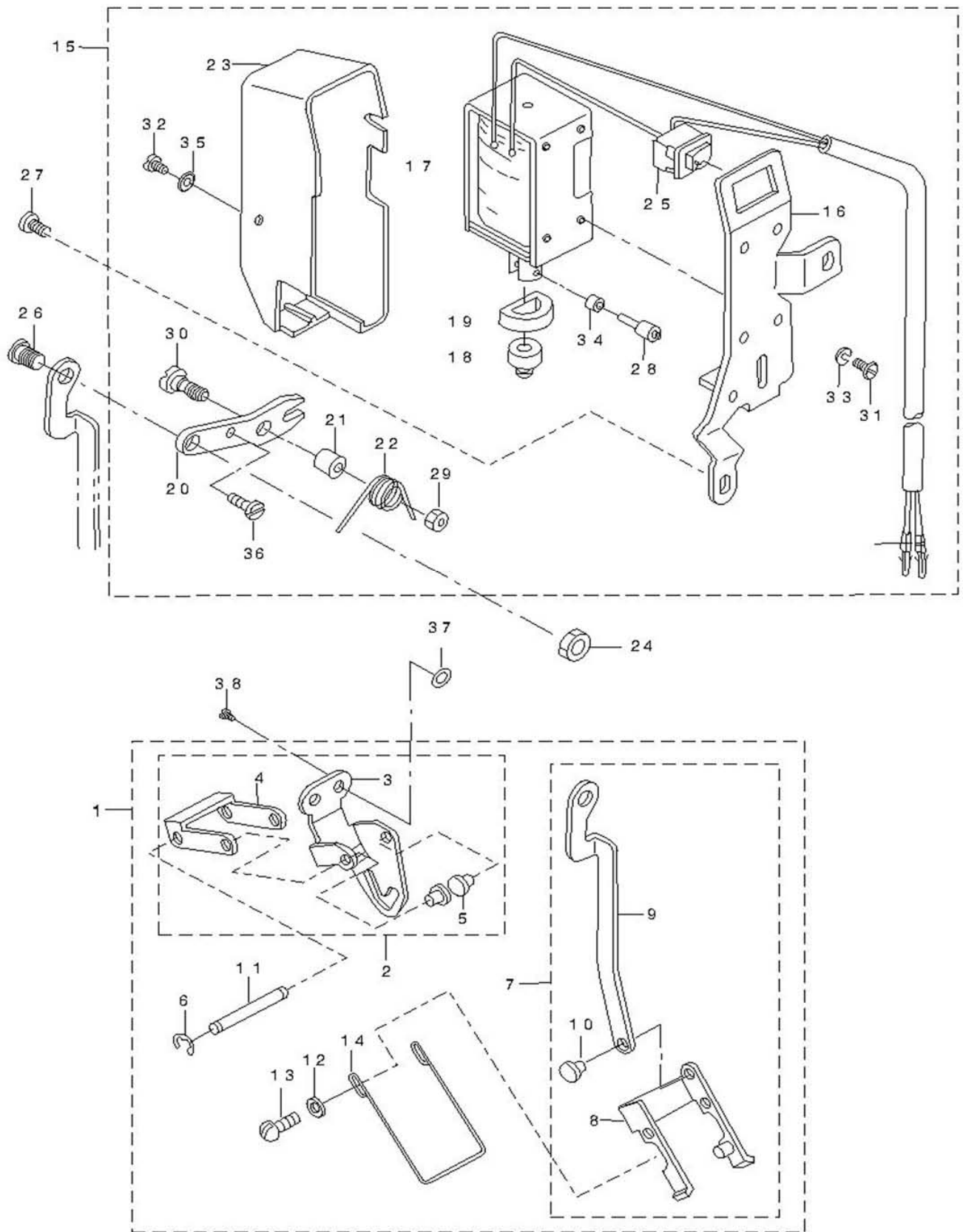


14. LUBRICATION COMPONENTS

No.	Part No.	Description	
1	10000570	OIL TANK ASM. 1	1
2	20006610	HOOK OIL REGULATING ASM. 1	1
3	10002401	HOOK OIL REGULATING 1	1
4	10000566	HOOK OIL REGULATING SCREW 2	2
5	10008779	LUBRICATION CONNECTOR 6	6
6	10000567	RUBBER RING 2	2
7	10000419	FACE LUBRICATION PRESSER 1	1
8	10000418	BALANCE LUBRICATING 1	1
9	10007800	TUBE 1	1
10	10008068	OUL WICK 1	1
11	10007800	TUBE 1	1
12	10007800	TUBE 1	1
13	10000422	SCREW 1	1
14	10000571	ONCE THROUGH OIL FELT 1	1
15	10007800	TUBE 1	1
16	10004476	HOLDER 1	1
17	10000569	FLOATER ASM. 1	1
18	10000709	FLOATER CASE 1	1
19	10008781	PIPE STOPPER A 20	20
20	10008785	PIPE STOPPER B 3	3
21	10000630	LUBRICATION TANK PIPE GUIDE 1	1
22	10000420	ONCE THROUGH OIL FELT PRESSER 1	1
23	10007800	TUBE 1	1
24	10008780	OIL INLE 1	1
25	10008779	LUBRICATION CONNECTOR 8	8
26	10008783	SCREW 2	2
27	10022793	RUBBER RING 1	1
28	10008777	RUBBER RING 1	1
29	10008778	SCREW 1	1
30	10000099	SCREW 2	2
31	10000347	SCREW 2	2
32	10008778	SCREW 1	1
33	10009900	SCREW 1	1
34	10011135	STOPPER 1	1
35	10007800	TUBE 1	1
36	10007800	TUBE 2	2
37	10007800	TUBE 1	1
38	10007800	TUBE 1	1
39	10007800	2 TUBE 1	1
40	10007806	TUBE B 1	1

41	10007806	TUBE B 1	1
42	10000405	RUBBER PLUG 1	1
43	10000417	WASHER 2	2
44	10000098	SCREW 2	2
45	10000157	SCREW 2	2
46	10000082	LUBRICATING OIL WICK STOPPER 1	1
47	10000421	OIL BOX 1	1
48	10000079	RUBBER RING 1	1
49	10000423	SCREW 1	1
50	10000091	RUBBER PLUG 1	1
51	10000091	RUBBER PLUG 1	1
52	10007806	TUBE 1	1
53	10000468	DISTRIBUTOR 1	1
54	10000471	DISTRIBUTOR ASM. 1	1
55	10000405	OIL SEAL 2	2

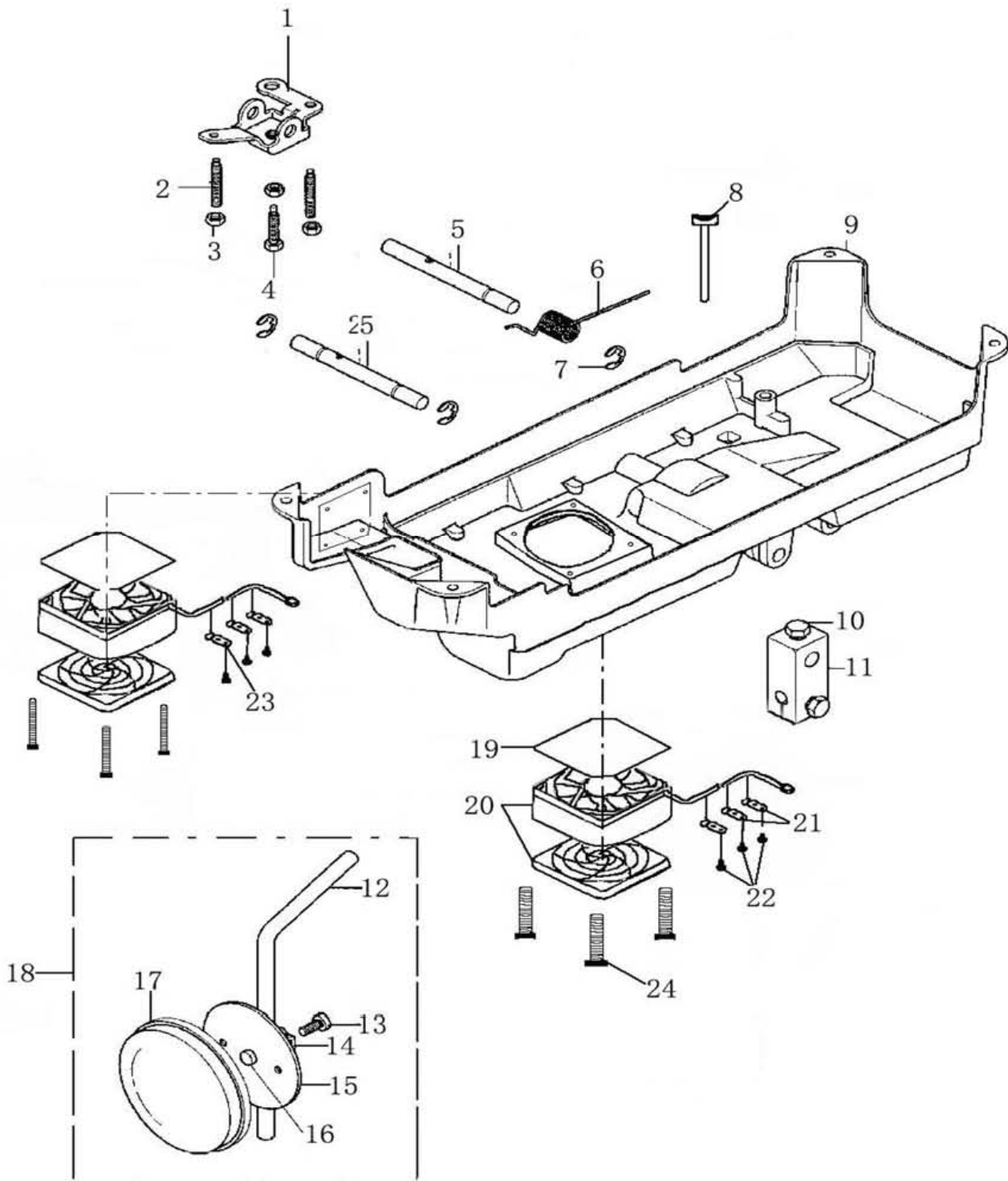
15. WIPER MECHANISM COMPONENTS



15. WIPER MECHANISM COMPONENTS

No.	Part No.	Description	
1	10000054	WIPER ASM 1	1
2	10000533	WIPER BASE ASM 1	1
3	10000532	WIPER BASE 1	1
4	10000531	WIPER LINK 1 1	1
5	10000045	PIN 2	2
6	10003248	E-RING 2	2
7	10000530	WIPER LINK COMPL 1	1
8	10000529	WIPER LINK ASM.2 1	1
9	10000634	WIPPER LINK 1	1
10	10000045	PIN 1	1
11	10000050	WIPER LINK SHAFT 1	1
12	10000051	WASHER 2	2
13	10000052	SCREW 2	2
14	10000053	WIPER 1	1
15	10000049	WIPER SOLENOID ASM 1	1
16	10000044	WIPER BASE 1	1
17	10000046	WIPER SOLENOID 1	1
18	10012488	WIPER RUBBER A 1	1
19	10005739	WIPER RUBBER B 1	1
20	10000047	WIPER LINK 1	1
21	10005769	WIPER HINGE SCREW COLLAR 1	1
22	10005770	WIPER SPRING 1	1
23	10005724	WIPER COVER 1	1
24	10000100	NUT 1	1
25	10000046	POWER SWITCH 1	1
26	10000042	HINGE SCREW 1	1
27	10000098	SCREW 2	2
28	10005719	WIPER SOLENOID PIN 1	1
29	10005735	NUT 1	1
30	10000048	HINGE SCREW 1	1
31	10003036	SCREW 4	4
32	10003036	SCREW 1	1
33	10003082	SPRING WASHER 4	4
34	10005769	WIPER LINK COLLAR 1	1
35	10002998	WASHER 1	1
36	10008458	SCREW 1	1
37	10000043	WASHER 2	2
38	10000042	SCREW 2	2

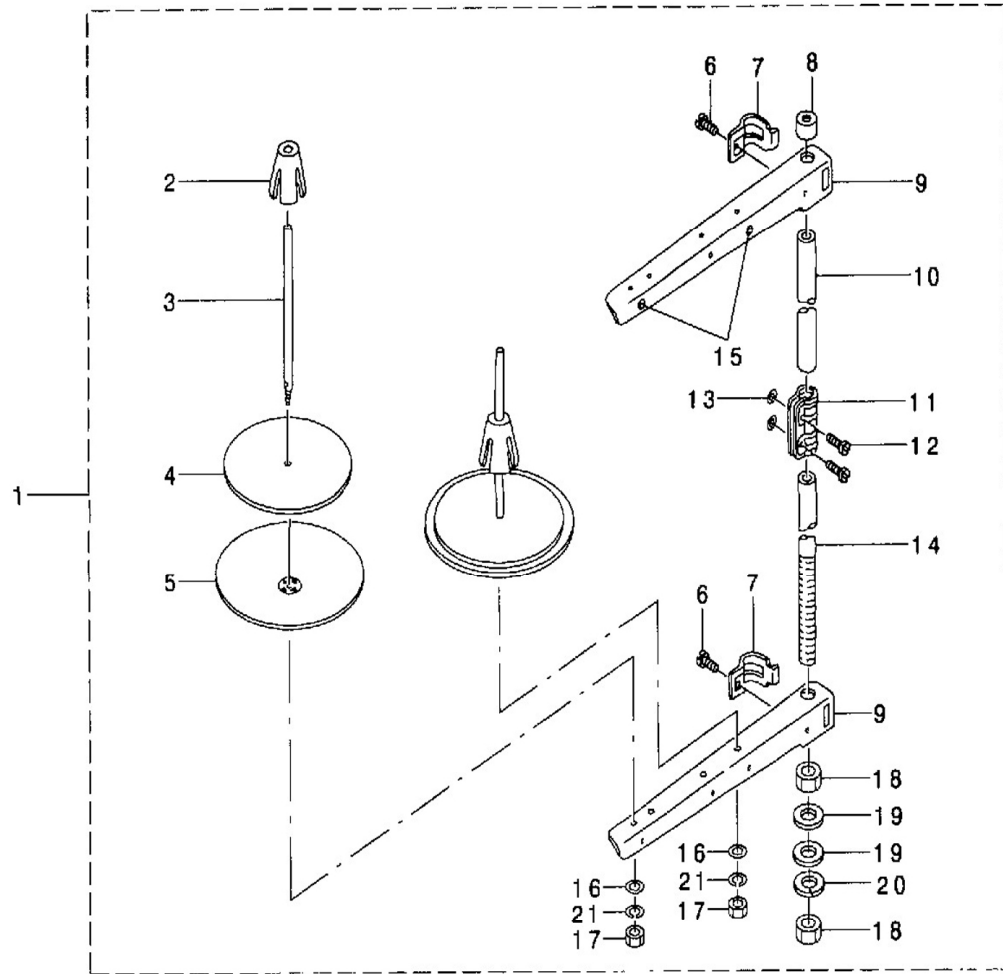
16. UNDER COVER COMPONENTS



16. UNDER COVER COMPONENTS

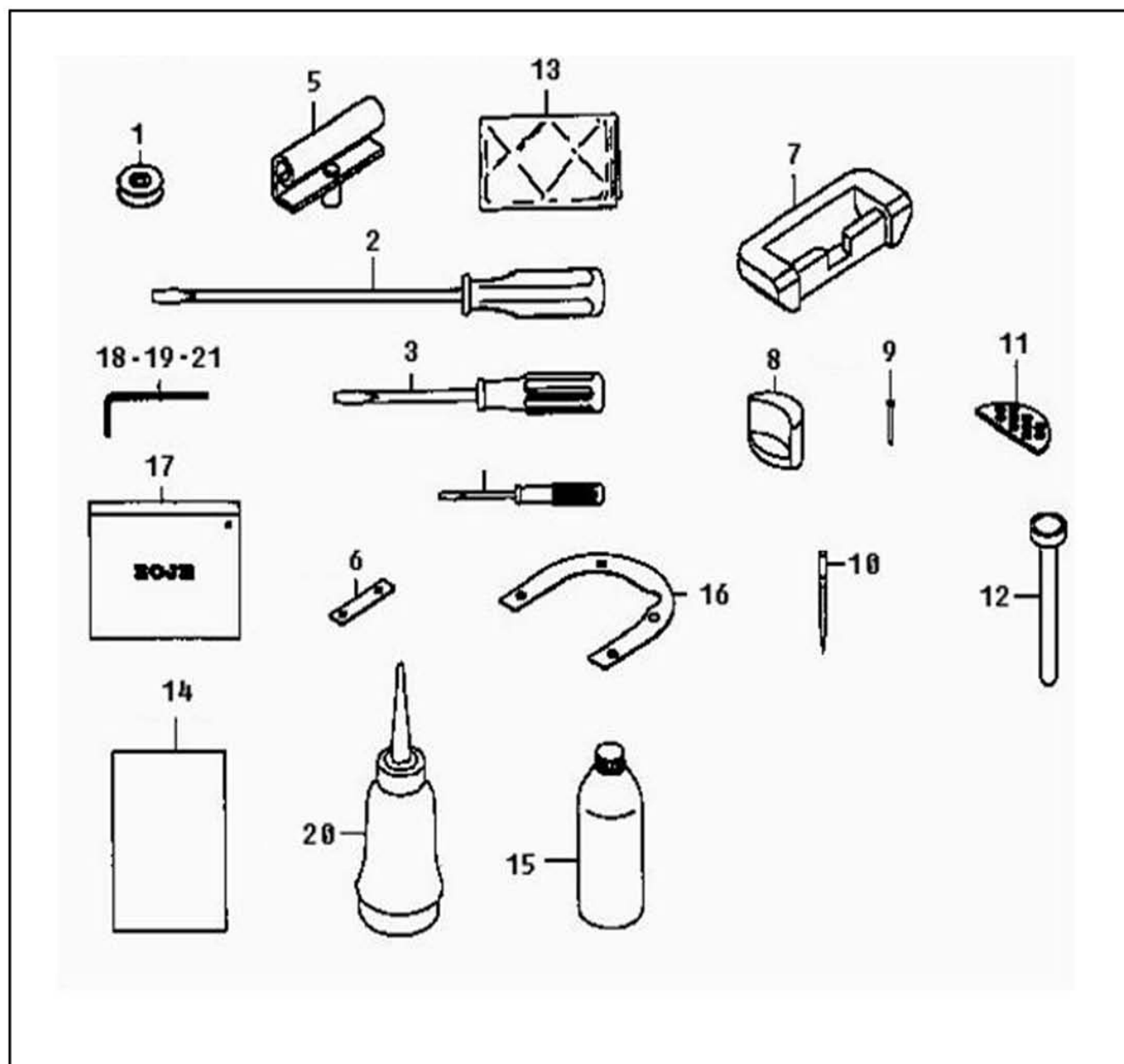
No.	Part No.	Description	
1	10008383	BRACKET 1	1
2	10003895	SCREW 2	2
3	10003890	NUT 2	2
4	10003898	SCREW 1	1
5	10008466	KNEE PRESS ROD 1	1
6	10012677	SPRING 1	1
7	10002559	E-RING 1	1
8	10012631	KNEE LIFTER PRESSER ROD 1	1
9	10000011	UNDER COVER ASM 1	1
10	10002613	SCREW 2	2
11	10003896	BRACKET 1	1
12	10003901	KNEE PAD UPRIGHT SHAFT 1	1
13	10003894	SCREW 1	1
14	10003897	KNEE PAD PLATE SUPPORT 1	1
15	10003891	KNEE PAD PLATE ASM 1	1
16	10003900	KNEE PAD PLATE RUBBER 1	1
17	10004223	KNEE PAD PLATE COVER 1	1
18	10009985	KNEE PAD PLATE ASM 1	1
19	10000010	WIRE OF FAN 2	2
20	10000012	FAN ASM 2	2
21	10008228	COLLET 3	3
22	10005309	SCREW 3	3
23	10008228	COLLET 3	3
24	10003416	SCREW 8	8

17. THREAD STAND COMPONENTS



No.	Part No.	Description	
1	10024216	THREAD STAND ASM 1	1

18. ACCESSOR PART COMPONENTS



18. ACCESSORIES PART COMPONENTS

No.	Part No.	Description	
1	10010377	BOBBINS 1	1
2	10010994	SCREW DRIVER. LARGE 1	1
3	10010995	SCREW DRIVER, MIDDLE 1	1
4	10013185	SCREW DRIVER, SMALL 1	1
5	10004466	HINGE COMPL 3	3
6	10001242	SPACER 1	1
7	10006286	RUBBER CUSHION 3	3
8	10013113	FRAME BUBBER CUSHION 2	2
9	10003889	NAIL 8	8
10	10003366	NEEDLE 1	1
11	10013101	WASHER 2	2
12	10012631	KNEE LIFTER PRESSER ROD 1	1
13	10004971	VINYL COVER 1	1
14	10003929	EC PRODUCTION DECLARATION	1
15	20002272	DEFRIX OIL NO.1 1	1
16	10002512	SPACER 1	1
17	10001177	ACCESSORIE BAG 1	1
18	10009683	WRENCH 1	1
19	10009686	WRENCH 1	1
20	10013294	OILER ASM 1	1
21	10009685	HEXAGONAL WRENCH KEY 3	3

